

SPECIFICATION

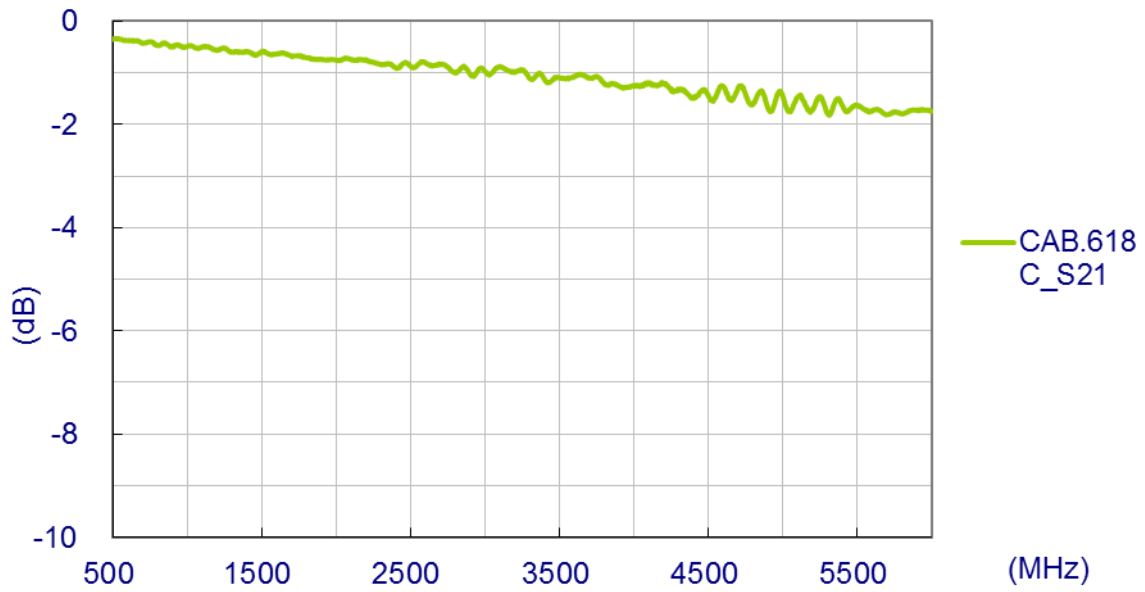
Part No. : **CAB.618.C**

Product Name : Taoglas Cable Assembly
IPEX MHFI to SMA(F)Bulkhead Straight Connector
with 200mm \varnothing 1.13 cable

Photo :

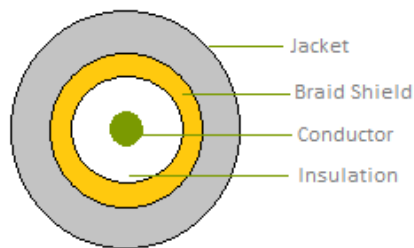


1. Cable Insertion Loss

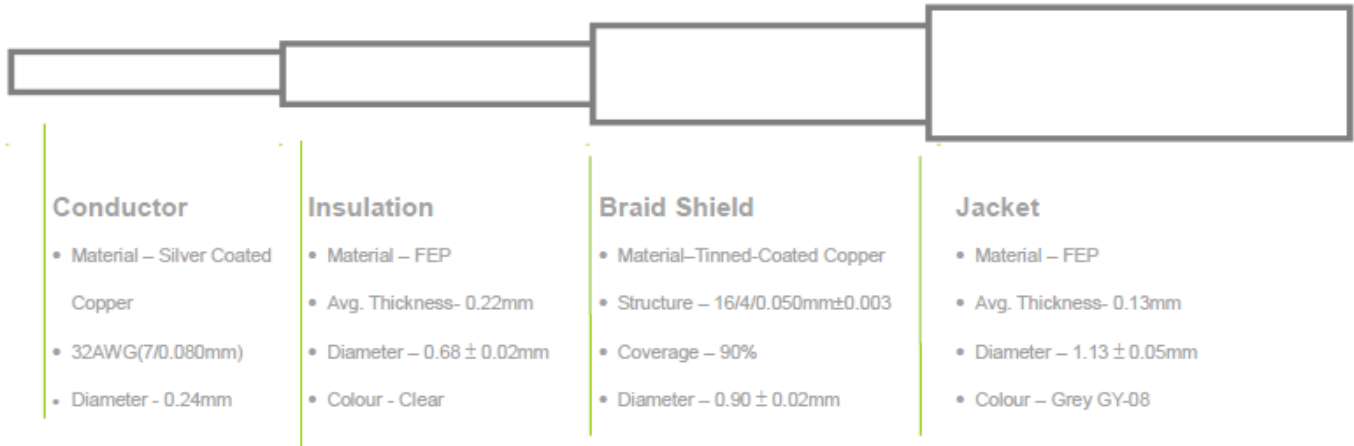


2. 1.13 Cable Specification

2.1 Drawing – Cross Section



2.2 Structure and Dimensions

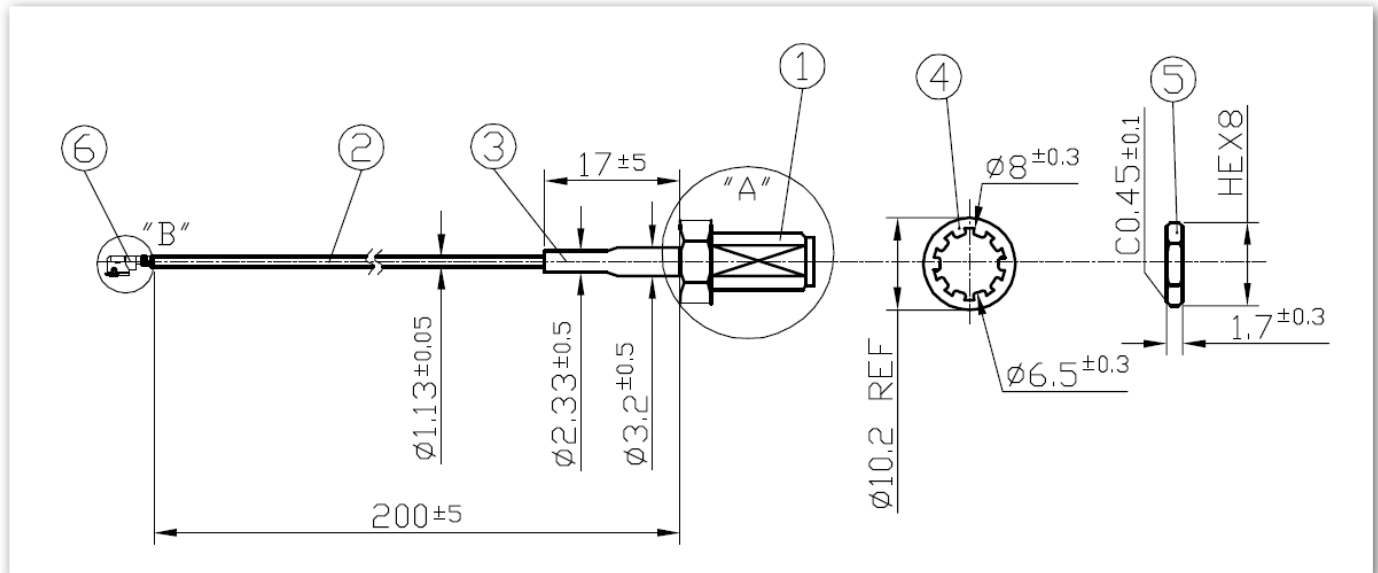


2.3 Electrical & Physical Specification

1	Item:	32 AWG	
2	Rating Temp Voltage:	105°C 30V UL 1979	
3	Insulation Resistance:	1000 MEGA OHM-KM Min.	
4	Conductor Resistance:	545 OHM/KM/20°C Max.	
5	Dielectric Strength:	AC 1.0 KV/minute	
6	Spark test:	2.5 KV	
7	Insulation	Unaged Tensile Strength	2500 PSI Min.(1.76Kg/mm ²)
		Elongation	200% min.
	Aged	Tensile Strength	Unaged Min 75%(168HRS*232°C)
		Elongation	Unaged Min 75%(168HRS*232°C)
8	Jacket	Unaged Tensile Strength	2500 PSI Min.(1.76Kg/mm ²)
		Elongation	200% min.
	Aged	Tensile Strength	Unaged Min 75%(168HRS*232°C)
		Elongation	Unaged Min 75%(168HRS*232°C)
9	Nom. Impedance	50 ± 3 Ohms	
10	Nom. Capacitance	96 ± 3 pF/m	
11	Nom. Vel. Of Prop.	69%	
12	VSWR (0-6GHz)	Max 1.3	
13	Flame Test	VW-1 OK	
14	Attenuation (dB/1M)	2.0GHz	2.80
		2.4GHz	3.10
		3.0GHz	3.50
		4.0GHz	4.00
		5.0GHz	4.60
		6.0GHz	5.10

3. Technical Drawing

3.1 CAB.618.C



	Name	Material	Finish	QTY
1	SMA(F) Bulk Head ST	Brass	Gold	1
2	1.13 Coaxial Cable	FEP Jacket	Black	1
3	Heat Shrink Tube	PE	Black	1
4	Washer	Brass	Gold	1
5	Nut	Brass	Gold	1
6	IPEX MHF 1	Brass	Gold	1