

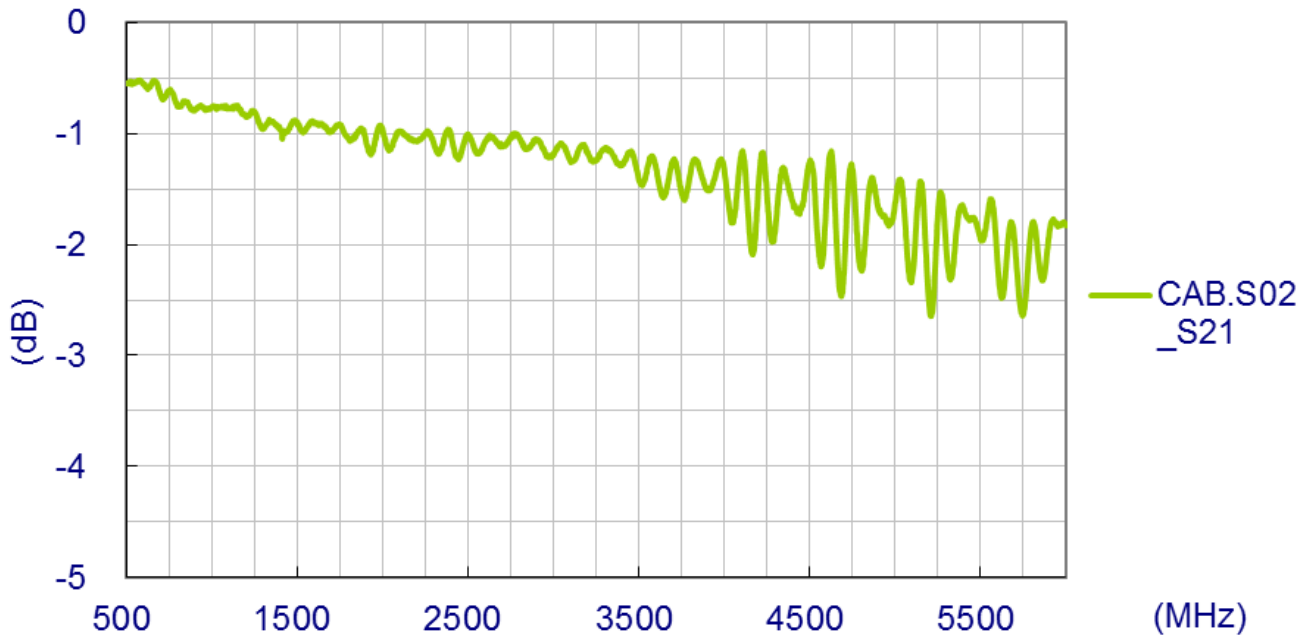
## SPECIFICATION

Part No. : **CAB.S02**

Product Name : Taoglas Cable Assembly  
IPEX MH4(HSC comp) to SMA(F)Bulkhead Straight Connector  
with 200mm  $\varnothing$ 0.81 cable

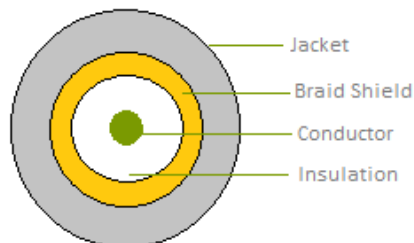


## 1. Cable Insertion Loss

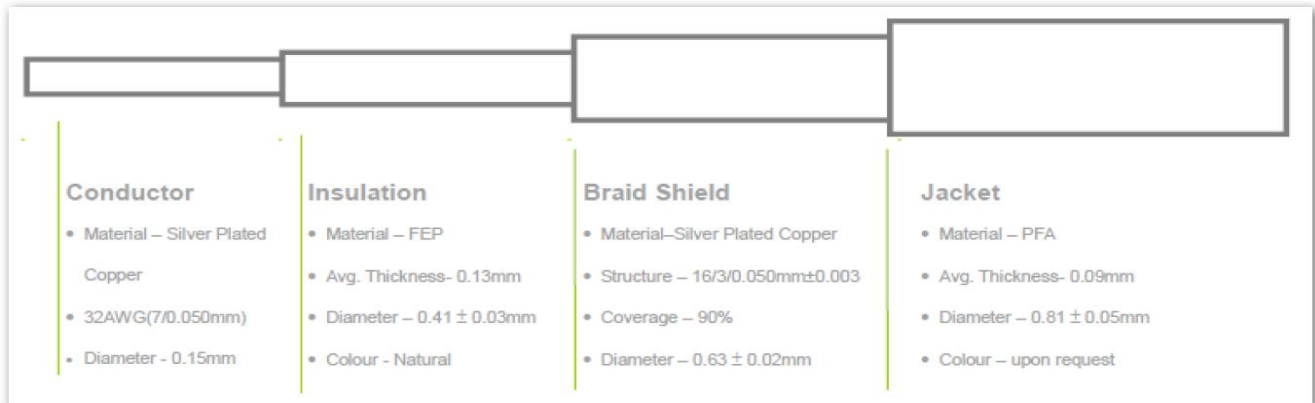


## 2. 0.81 Cable Specification

### 2.1 Drawing – Cross Section



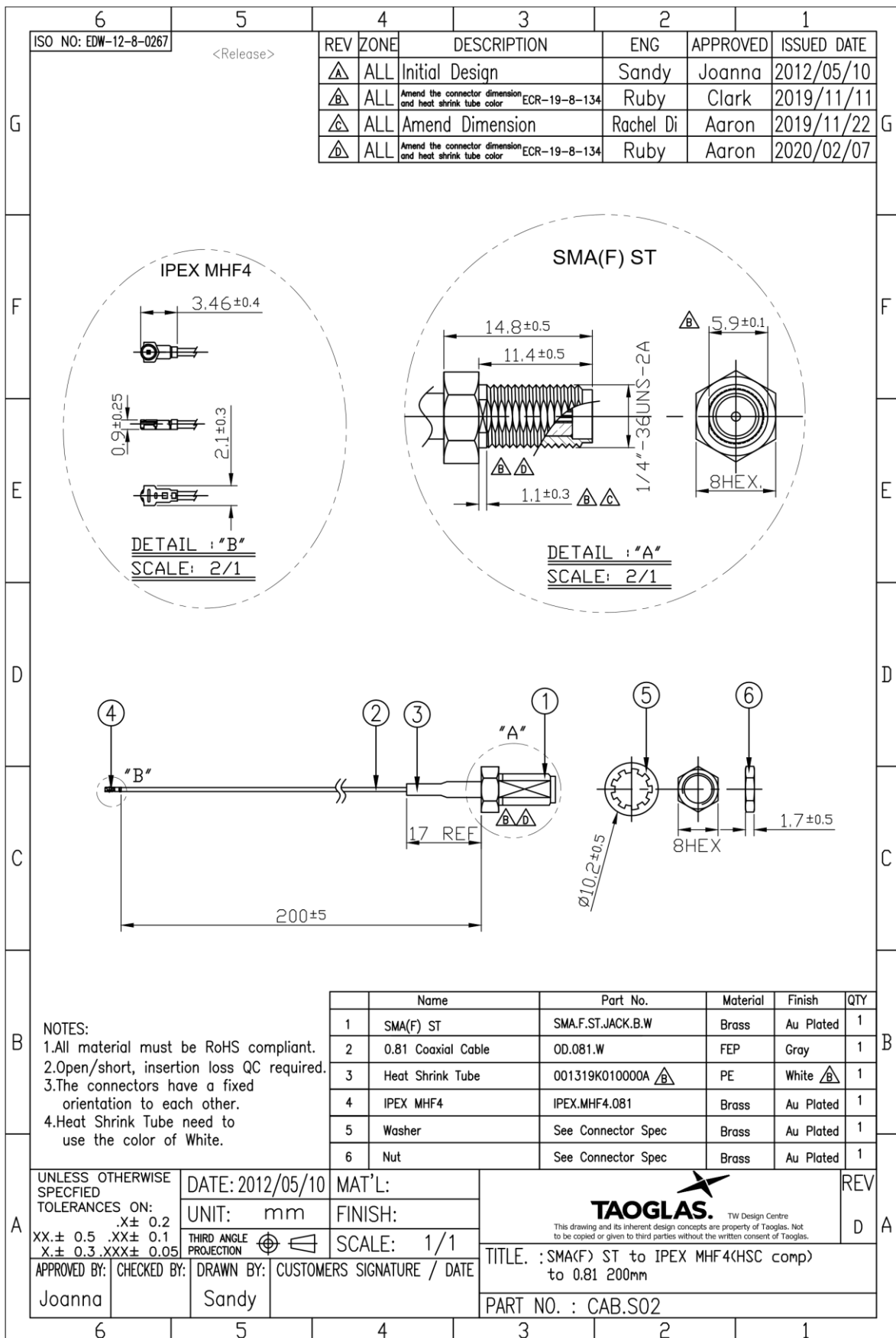
## 2.2 Structure and Dimensions



## 2.3 Electrical & Physical Specification

1	Insulation Resistance:	1000 MEGA OHM-KM Min.
2	Conductor Resistance:	1400 OHM/KM/20°C Max.
3	Dielectric Strength:	AC 1.0 KV/minute
4	Spark test:	2.5 KV
5	Nom. Impedance	50 ± 3 Ohms
6	Nom. Capacitance	97 ± 3 pF/m
7	Attenuation (dB/1M)	2.0GHz 3.60 2.4GHz 5.10 3.0GHz 6.20 4.0GHz 7.50 5.0GHz 8.50 6.0GHz 9.40

### 3. Technical Drawing



### 3.1 Recommended Mounting Hole – SMA(F) Bulkhead

