

# 3-Channel Constant-Current RGB LED Driver with Individual PWM Dimming

## CAT4109, CAV4109

### Description

The CAT4109/CAV4109 is a 3-channel constant-current LED driver, requiring no inductor. LED channel currents up to 175 mA are programmed independently via separate external resistors. Low output voltage operation of 0.4 V at 175 mA allows for more power efficient designs across wider supply voltage range. The three LED pins are compatible with high voltage up to 25 V supporting applications with long strings of LEDs.

Three independent control inputs PWM1, PWM2, PWM3, control respectively LED1, LED2, LED3 channels. The device also includes an output enable (OE) control pin to disable all three channels independently of the PWMx input states.

Thermal shutdown protection is incorporated in the device to disable the LED outputs whenever the die temperature exceeds 150°C.

The device is available in a 16-lead SOIC package.

### Features

- 3 Independent Current Sinks up to 175 mA rated 25 V
- LED Current Set by External Low Power Control Resistors
- Individual PWM Control per Channel
- Low Dropout Current Source (0.4 V at 175 mA)
- Output Enable Input for Dimming
- “Zero” Current Shutdown Mode
- 3 V to 5.5 V Logic Supply
- Thermal Shutdown Protection
- 16-lead SOIC Package
- CAV Prefix for Automotive and Other Applications Requiring Unique Site and Control Change Requirements; AEC-Q100 Qualified and PPAP Capable
- These Devices are Pb-Free, Halogen Free/BFR Free and are RoHS Compliant

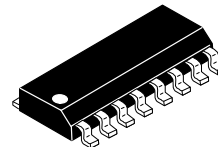
### Application

- Multi-color LED, Architectural Lighting
- LED Signs and Displays
- LCD Backlight



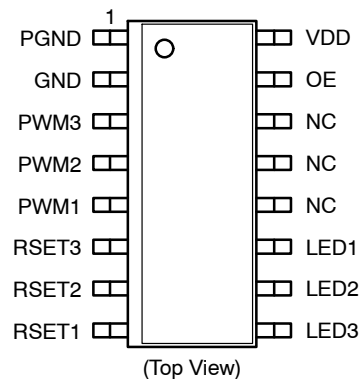
ON Semiconductor®

[www.onsemi.com](http://www.onsemi.com)

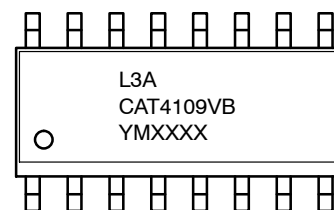


SOIC-16  
V SUFFIX  
CASE 751BG

### PIN CONNECTIONS



### MARKING DIAGRAM



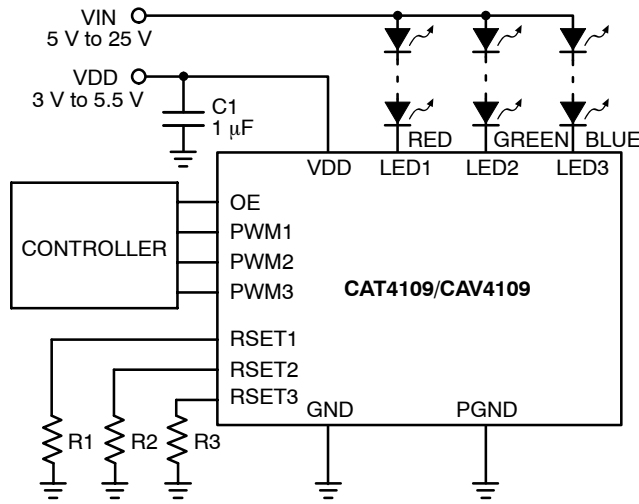
L = Assembly Location  
3 = PB Free  
A = Product Revision (Fixed as “A”)  
CAT4109V = Device Code  
B = Leave Blank  
Y = Production Year (Last Digit)  
M = Production Month (1-9, O, N, D)  
XXXX = Last Four Digits of Assembly Lot Number

### ORDERING INFORMATION

Device	Package	Shipping
CAT4109V-GT2 (Note 1)	SOIC-16 (Pb-Free)	3,000/ Tape & Reel
CAV4109V-GT2 (Note 1)	SOIC-16 (Pb-Free)	3,000/ Tape & Reel

1. Lead Finish Pb-Free

## CAT4109, CAV4109



**Figure 1. Typical Application Circuit**

**Table 1. ABSOLUTE MAXIMUM RATINGS**

Parameter	Rating	Units
VDD Voltage	6	V
Input Voltage Range (OE, PWM1, PWM2, PWM3)	-0.3 V to 6 V	V
LED1, LED2, LED3 Voltage	25	V
DC Output Current on LED1 to LED3	200	mA
Storage Temperature Range	-55 to +160	°C
Junction Temperature Range	-40 to +150	°C
Lead Soldering Temperature (10 sec.)	300	°C

**ESD RATING**

Human Body Model (Note 2) LV pins (non LEDn pins # 3, 4, 5, 6, 7, 8, 15 and 16) HV pins (LEDn pins #9, 10 and 11)	1500 500	V
Machine Model (Note 3) LV pins (non LEDn pins # 3, 4, 5, 6, 7, 8, 15 and 16) HV pins (LEDn pins #9, 10 and 11)	200 175	V
Charged Device Model (Note 4)	1000	V

Stresses exceeding those listed in the Maximum Ratings table may damage the device. If any of these limits are exceeded, device functionality should not be assumed, damage may occur and reliability may be affected.

2. JESD22-A114C
3. JESD625-A
4. JESD22-C101E

**Table 2. RECOMMENDED OPERATING CONDITIONS**

Parameter	Range	Units
VDD	3.0 to 5.5	V
Voltage applied to LED1 to LED3, outputs off	up to 25	V
Voltage applied to LED1 to LED3, outputs on	up to 6 (Note 5)	V
Output Current on LED1 to LED3	2 to 175	mA
Ambient Temperature Range	CAT4109 CAV4109	-40 to +85 -40 to +105
		°C °C

Functional operation above the stresses listed in the Recommended Operating Ranges is not implied. Extended exposure to stresses beyond the Recommended Operating Ranges limits may affect device reliability.

5. Keeping LEDx pin voltage below 6 V in operation is recommended to minimize thermal dissipation in the package.

# CAT4109, CAV4109

**Table 3. ELECTRICAL OPERATING CHARACTERISTICS** (Min and Max values are over recommended operating conditions unless specified otherwise. Typical values are at  $V_{DD} = 5.0\text{ V}$ ,  $T_{AMB} = 25^{\circ}\text{C}$ .)

Symbol	Name	Conditions	Min	Typ	Max	Units
<b>DC CHARACTERISTICS</b>						
$I_{DD1}$	Supply Current Outputs Off	$V_{LED} = 5\text{ V}$ , $R_{SET} = 24.9\text{ k}\Omega$		2	5	mA
$I_{DD2}$	Supply Current Outputs Off	$V_{LED} = 5\text{ V}$ , $R_{SET} = 5.23\text{ k}\Omega$		4	10	mA
$I_{DD3}$	Supply Current Outputs On	$V_{LED} = 0.5\text{ V}$ , $R_{SET} = 24.9\text{ k}\Omega$		2	5	mA
$I_{DD4}$	Supply Current Outputs On	$V_{LED} = 0.5\text{ V}$ , $R_{SET} = 5.23\text{ k}\Omega$		4	10	mA
$I_{SHDN}$	Shutdown Current	$V_{OE} = 0\text{ V}$			1	$\mu\text{A}$
$I_{LKG}$	LED Output Leakage	$V_{LED} = 5\text{ V}$ , Outputs Off	-1		1	$\mu\text{A}$
$R_{OE}$	OE Pull-down Resistance		140	190	250	$\text{k}\Omega$
$V_{OE\_IH}$ $V_{OE\_IL}$	OE Logic High Level OE Logic Low Level		1.3		0.4	V
$V_{PWM\_IH}$ $V_{PWM\_IL}$	PWMx Logic High Level PWMx Logic Low Level		$0.7 \times V_{DD}$		$0.3 \times V_{DD}$	V
$I_{IL}$	Logic Input Leakage Current (PWMx)	$V_{PWMx} = V_{DD}$ or GND	-5	0	5	$\mu\text{A}$
$V_{RSETx}$	RSETx Regulated Voltage		1.17	1.2	1.23	V
$T_{SD}$	Thermal Shutdown			150		$^{\circ}\text{C}$
$T_{HYS}$	Thermal Hysteresis			20		$^{\circ}\text{C}$
$I_{LED}/I_{RSET}$	RSET to LED Current Gain Ratio	100 mA LED Current		400		
$V_{UVLO}$	Undervoltage Lockout (UVLO) Threshold			1.8		V

Product parametric performance is indicated in the Electrical Characteristics for the listed test conditions, unless otherwise noted. Product performance may not be indicated by the Electrical Characteristics if operated under different conditions.

**Table 4. RECOMMENDED TIMING** (Min and Max values are over recommended operating conditions unless specified otherwise. Typical values are at  $V_{DD} = 5.0\text{ V}$ ,  $T_{AMB} = 25^{\circ}\text{C}$ .)

Symbol	Name	Conditions	Min	Typ	Max	Units
$t_{PS}$	Turn-On time, OE rising to $I_{LED}$ from Shutdown	$I_{LED} = 100\text{ mA}$		1.4		$\mu\text{s}$
$t_{P1}$	Turn-On time, OE or PWMx rising to $I_{LED}$	$I_{LED} = 100\text{ mA}$		600		ns
$t_{P2}$	Turn-Off time, OE or PWMx falling to $I_{LED}$	$I_{LED} = 100\text{ mA}$		300		ns
$t_R$	LED rise time	$I_{LED} = 100\text{ mA}$		300		ns
$t_F$	LED fall time	$I_{LED} = 100\text{ mA}$		300		ns
$t_{LO}$	OE low time		1			$\mu\text{s}$
$t_{HI}$	OE high time		5			$\mu\text{s}$
$t_{PWRDWN}$	OE low time to shutdown delay			4	8	ms

## CAT4109, CAV4109

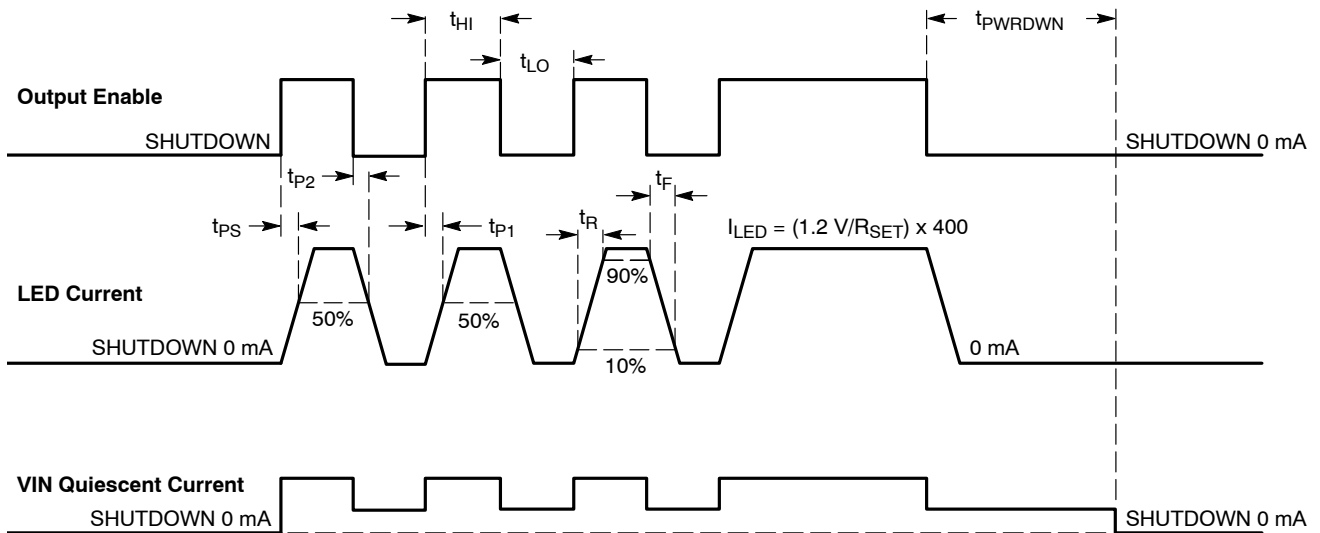


Figure 2. CAT4109/CAV4109 OE Timing

### OE Operation

The Output Enable (OE) pin has two primary functions. When the OE input goes from high to low, all three LED channels are turned off. If OE remains low for longer than  $t_{PWRDWN}$ , the device enters shutdown mode drawing “zero current” from the supply.

The OE input can be used to adjust the contrast of the RGB LED by applying an external PWM signal. The device has a very fast turn-on time (from OE rising to LED on) allowing “instant on” when dimming LEDs.

When applying PWM signals to the three PWMx inputs and using the OE pin for dimming, the OE PWM frequency should be much lower to preserve the color mixing.

Accurate linear dimming on OE is compatible with PWM frequencies from 100 Hz to 5 kHz for PWM duty cycle down to 1%. PWM frequencies up to 50 kHz can be supported for duty cycles greater than 10%.

When performing a combination of low frequencies and small duty cycles, the device may enter shutdown mode. This has no effect on the dimming accuracy, because the turn-on time  $t_{PS}$  is very short, in the range of 1  $\mu$ s.

To ensure that PWM pulses are recognized, pulse width low time  $t_{LO}$  should be longer than 1  $\mu$ s. The driver enters a “zero current” shutdown mode after a 4 ms delay (typical) when OE is held low.

TYPICAL PERFORMANCE CHARACTERISTICS

( $V_{IN} = 5\text{ V}$ ,  $V_{DD} = 5\text{ V}$ ,  $C1 = 1\ \mu\text{F}$ ,  $T_{AMB} = 25^\circ\text{C}$  unless otherwise specified.)

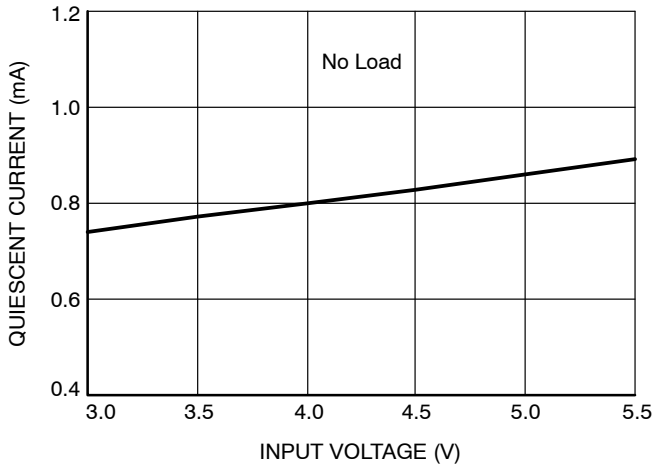


Figure 3. Quiescent Current vs. Input Voltage ( $I_{LED} = 0\text{ mA}$ )

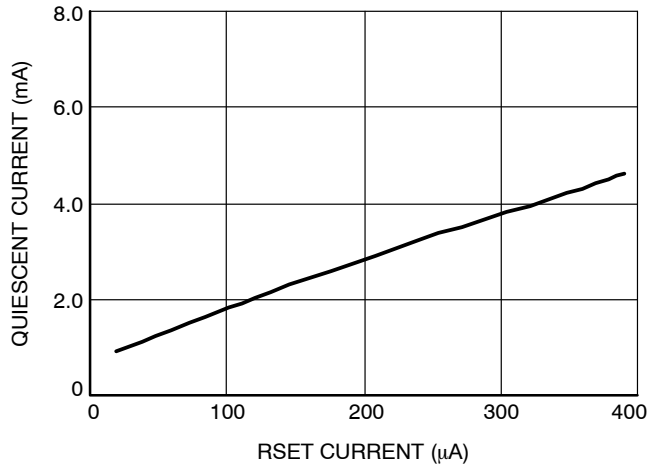


Figure 4. Quiescent Current vs. RSET Current

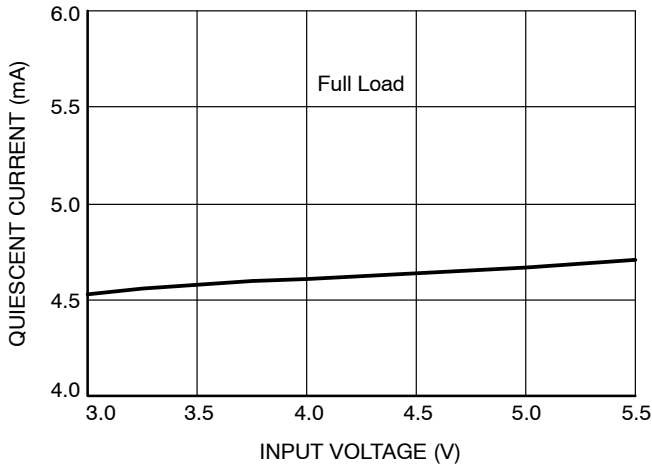


Figure 5. Quiescent Current vs. Input Voltage ( $I_{LED} = 175\text{ mA}$ )

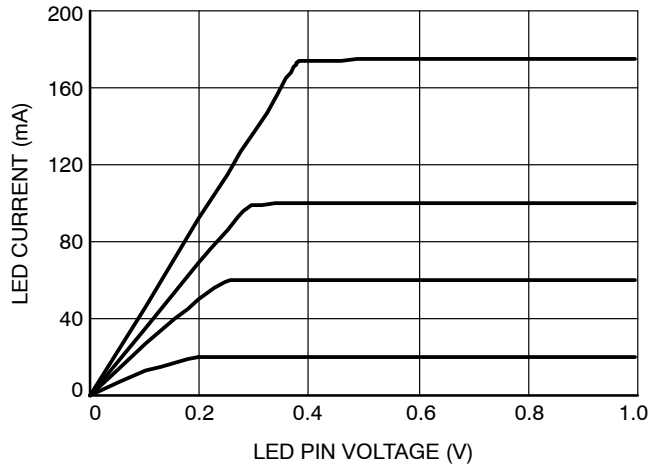


Figure 6. LED Current vs. LED Pin Voltage

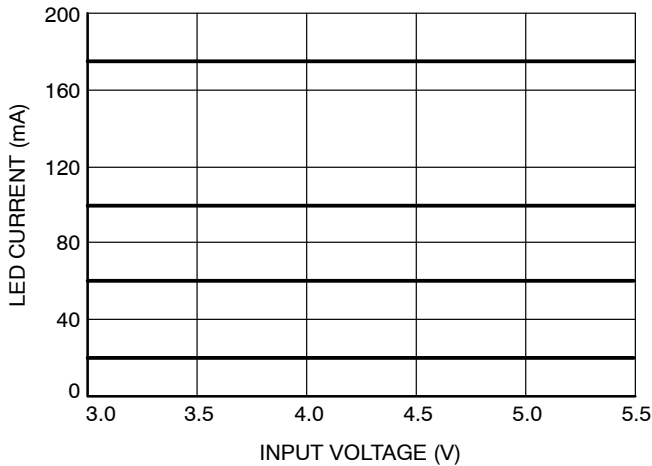


Figure 7. LED Current Change vs. Input Voltage

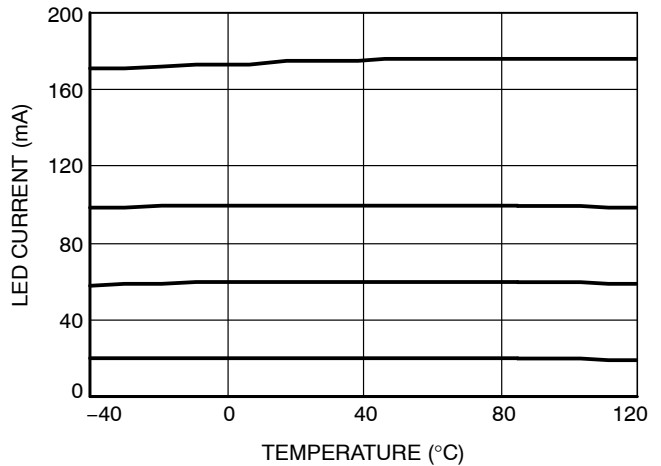


Figure 8. LED Current Change vs. Temperature

# CAT4109, CAV4109

## TYPICAL PERFORMANCE CHARACTERISTICS

( $V_{IN} = 5\text{ V}$ ,  $V_{DD} = 5\text{ V}$ ,  $C1 = 1\ \mu\text{F}$ ,  $T_{AMB} = 25^\circ\text{C}$  unless otherwise specified.)

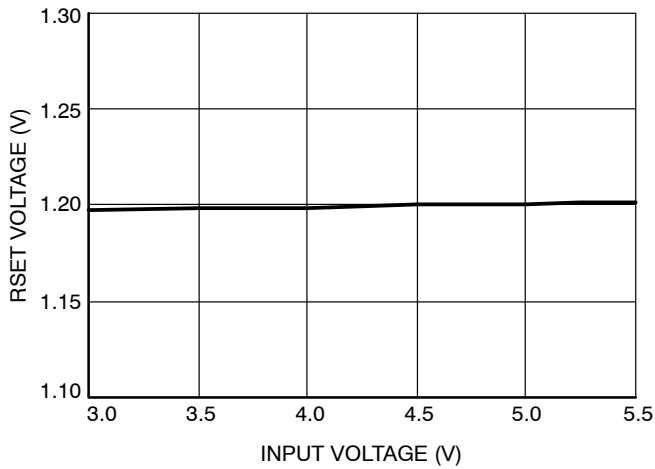


Figure 9. RSET Pin Voltage vs. Input Voltage

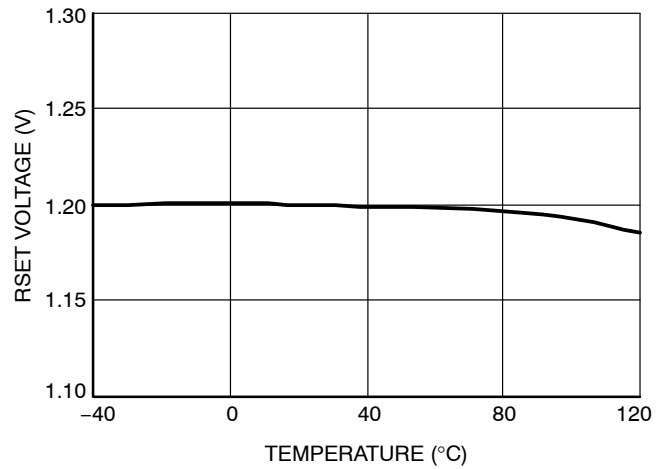


Figure 10. RSET Pin Voltage vs. Temperature

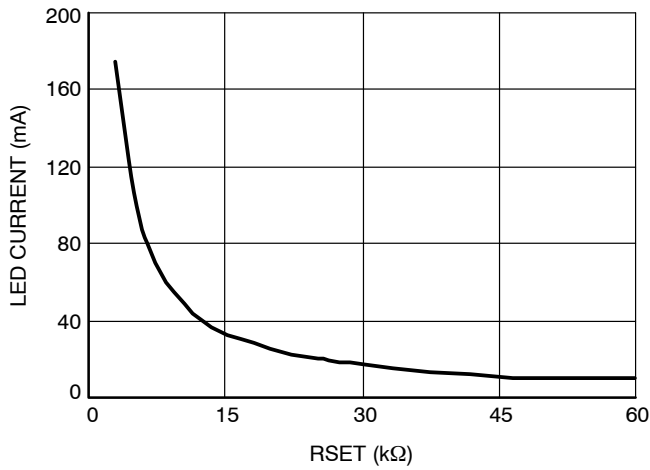


Figure 11. LED Current vs. RSET Resistor

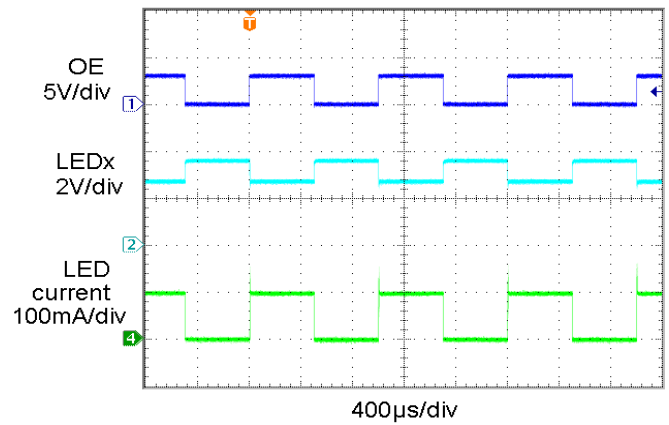


Figure 12. OE Transient Response at 1 kHz

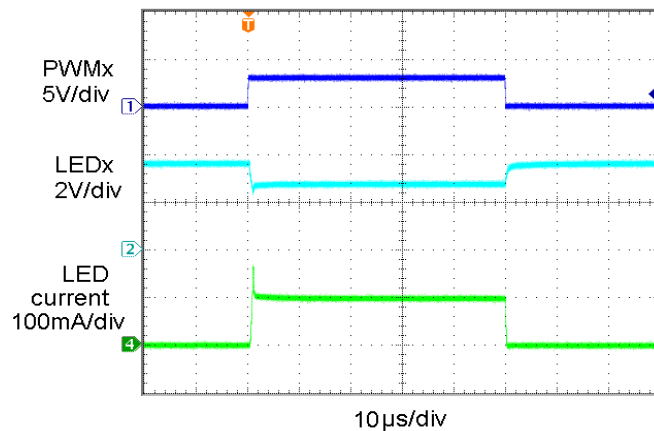


Figure 13. PWMx Transient Response

Table 5. PIN DESCRIPTIONS

Name	Pin Number	Function
PGND	1	Power Ground.
GND	2	Ground Reference.
PWM3	3	PWM control input for LED3
PWM2	4	PWM control input for LED2
PWM1	5	PWM control input for LED1
RSET3	6	LED current set pin for LED3
RSET2	7	LED current set pin for LED2
RSET1	8	LED current set pin for LED1
LED3	9	LED channel 3 cathode terminal
LED2	10	LED channel 2 cathode terminal
LED1	11	LED channel 1 cathode terminal
NC	12	Not connected inside package
NC	13	Not connected inside package
NC	14	Not connected inside package
OE	15	Output Enable input pin
VDD	16	Device Supply pin

**Pin Function**

**PGND** is the power ground reference pin for the device. This pin must be connected to the GND pin and to the ground plane on the PCB.

**GND** is the ground reference pin for the entire device. This pin must be connected to the ground plane on the PCB.

**PWM1 to PWM3** are the control inputs respectively for LED1, LED2 and LED3 channels. When PWMx are low, the associated LED channels are turned off. When PWMx are high, the corresponding channels are turned on, assuming the OE input is also high. PWMx pins can not be left open and must be set either to logic high or low.

**RSET1 to RSET3** are the LED current set inputs. The current pulled out of these pins will be mirrored in the corresponding LED channel with a gain of 400.

**LED1 to LED3** are the LED current sink inputs. These pins are connected to the bottom cathodes of the LED strings.

The current sinks bias the LEDs with a current equal to 400 times the corresponding RSETx pin current. For the LED sink to operate correctly the voltage on the LED pin must be above 0.4 V. Each LED channel can withstand voltages up to 25 V.

**OE** is the output enable input. When high, all LED channels are enabled according to the state of their corresponding PWMx control inputs. When low, all LED channels are turned off. This pin can be used to turn all the LEDs off independently of the state of the PWMx inputs. If the OE stays low for a duration longer than  $t_{PWRDWN}$ , the device enters shutdown mode.

**VDD** is the positive supply pin voltage for the entire device. A small 1  $\mu$ F bypass ceramic capacitor is recommended between VDD pin and ground near the device.

# CAT4109, CAV4109

## BLOCK Diagram

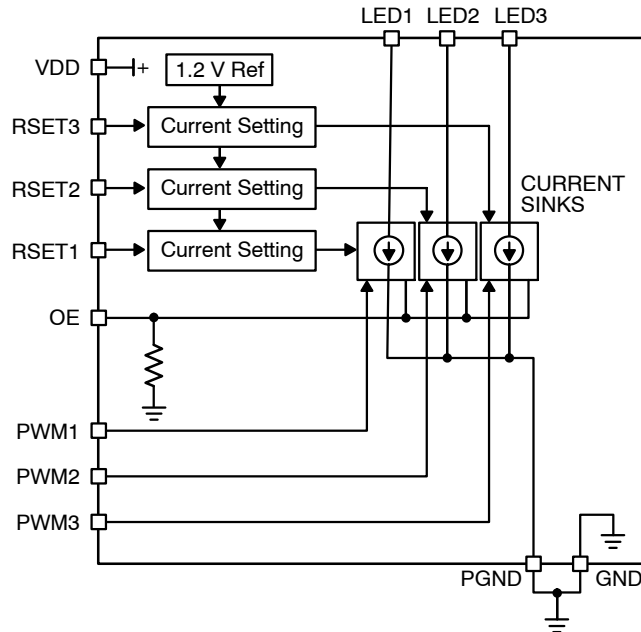


Figure 14. CAT4109/CAV4109 Functional Block Diagram

### Basic Operation

The CAT4109/CAV4109 uses 3 independent current sinks to accurately regulate the current in each LED channel to 400 times the current sink from the corresponding RSET pin. Each of the resistors tied to the RSET1, RSET2, RSET3 pins set the current respectively in the LED1, LED2, and LED3 channels. Table 6 shows standard resistor values for RSET and the corresponding LED current.

Table 6. RSET RESISTOR SETTINGS

LED Current [mA]	RSET [kΩ]
20	24.9
60	8.45
100	5.23
175	3.01

Tight current regulation for all channels is possible over a wide range of input and LED voltages due to independent current sensing circuitry on each channel. The LED channels have a low dropout of 0.4 V or less for all current ranges and supply voltages. This helps improve heat dissipation and efficiency.

Upon power-up, an under-voltage lockout circuit sets all outputs off. Once the VDD supply voltage is greater than the under-voltage lockout threshold, the device channel can be turned on. The on/off state of each channel LED1, LED2 and LED3 is independently controlled respectively by PWM1, PWM2, PWM3. When a PWMx is high, the associated LEDx channel is turned on.



Application Information

Power Dissipation

The power dissipation ( $P_D$ ) of the CAT4109/CAV4109 can be calculated as follows:

$$P_D = (V_{DD} \times I_{DD}) + \sum(V_{LEDN} \times I_{LEDN})$$

where  $V_{LEDN}$  is the voltage at the LED pin, and  $I_{LEDN}$  is the associated LED current. Combinations of high  $V_{LED}$  voltage or high ambient temperature can cause the CAT4109/CAV4109 to enter thermal shutdown. In applications where  $V_{LEDN}$  is high, a resistor can be inserted in series with the LED string to lower  $P_D$ .

Thermal dissipation of the junction heat consists primarily of two paths in series. The first path is the junction to the case ( $\theta_{JC}$ ) thermal resistance which is defined by the package style, and the second path is the case to ambient ( $\theta_{CA}$ ) thermal resistance, which is dependent on board layout. The overall junction to ambient ( $\theta_{JA}$ ) thermal resistance is equal to:

$$\theta_{JA} = \theta_{JC} + \theta_{CA}$$

For a given package style and board layout, the operating junction temperature  $T_J$  is a function of the power dissipation  $P_D$ , and the ambient temperature, resulting in the following equation:

$$T_J = T_{AMB} + P_D (\theta_{JC} + \theta_{CA}) = T_{AMB} + P_D \theta_{JA}$$

When mounted on a double-sided printed circuit board with two square inches of copper allocated for “heat spreading”, the resulting  $\theta_{JA}$  is about 74°C/W.

For example, at 60°C ambient temperature, the maximum power dissipation is calculated as follow:

$$P_{Dmax} = \frac{(T_{Jmax} - T_{AMB})}{\theta_{JA}} = \frac{(150 - 60)}{74} = 1.2 \text{ W}$$

Recommended Layout

Bypass capacitor C1 should be placed as close to the IC as possible. RSET resistors should be directly connected to the GND pin of the device. For better thermal dissipation, multiple via can be used to connect the GND pad to a large ground plane. It is also recommended to use large pads and traces on the PCB wherever possible to spread out the heat. The LEDs for this layout are driven from a separate supply ( $V_{LED+}$ ), but they can also be driven from the same supply connected to VDD.

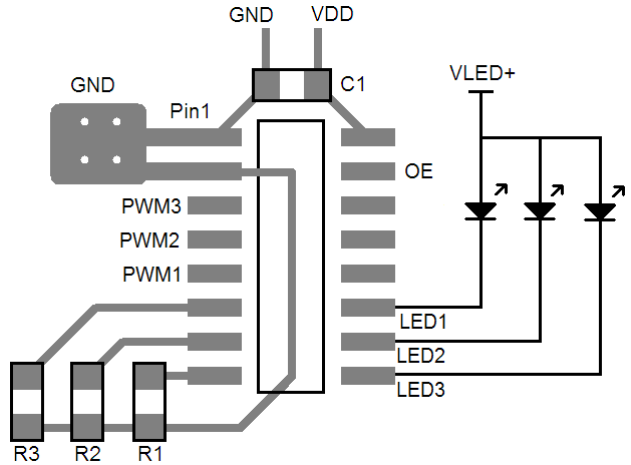


Figure 15. Recommended Layout

# MECHANICAL CASE OUTLINE

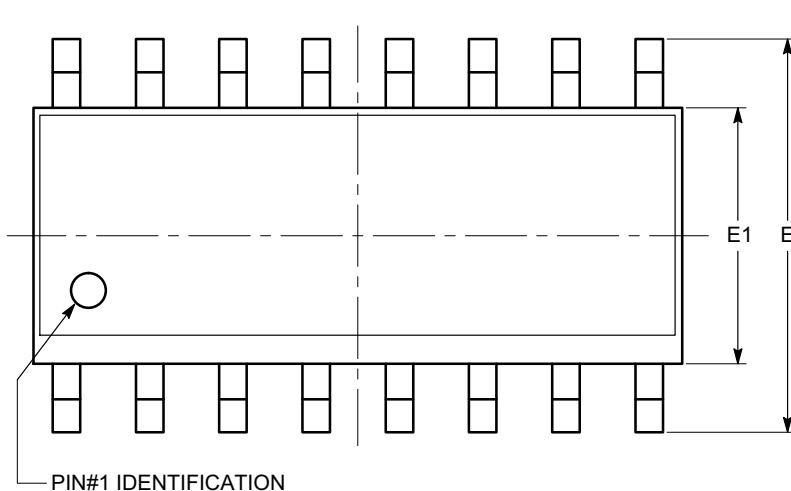
## PACKAGE DIMENSIONS

ON Semiconductor®



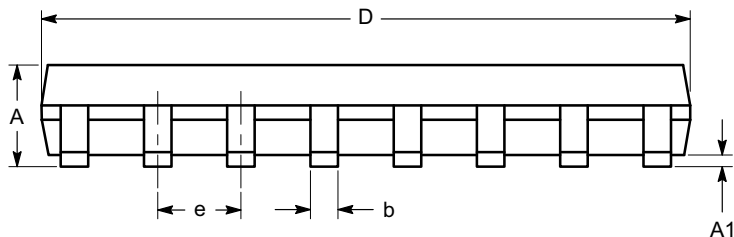
SOIC-16, 150 mils  
CASE 751BG-01  
ISSUE O

DATE 19 DEC 2008

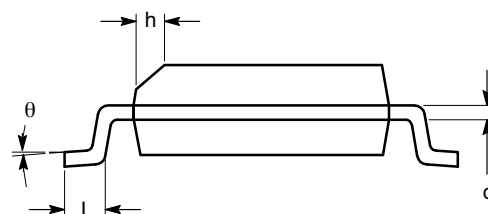


SYMBOL	MIN	NOM	MAX
A	1.35		1.75
A1	0.10		0.25
b	0.33		0.51
c	0.19		0.25
D	9.80	9.90	10.00
E	5.80	6.00	6.20
E1	3.80	3.90	4.00
e	1.27 BSC		
h	0.25		0.50
L	0.40		1.27
$\theta$	0°		8°

TOP VIEW



SIDE VIEW



END VIEW

**Notes:**

- (1) All dimensions are in millimeters. Angles in degrees.
- (2) Complies with JEDEC MS-012.

<b>DOCUMENT NUMBER:</b>	<b>98AON34275E</b>	Electronic versions are uncontrolled except when accessed directly from the Document Repository. Printed versions are uncontrolled except when stamped "CONTROLLED COPY" in red.
<b>DESCRIPTION:</b>	<b>SOIC-16, 150 MILS</b>	<b>PAGE 1 OF 1</b>

ON Semiconductor and are trademarks of Semiconductor Components Industries, LLC dba ON Semiconductor or its subsidiaries in the United States and/or other countries. ON Semiconductor reserves the right to make changes without further notice to any products herein. ON Semiconductor makes no warranty, representation or guarantee regarding the suitability of its products for any particular purpose, nor does ON Semiconductor assume any liability arising out of the application or use of any product or circuit, and specifically disclaims any and all liability, including without limitation special, consequential or incidental damages. ON Semiconductor does not convey any license under its patent rights nor the rights of others.