

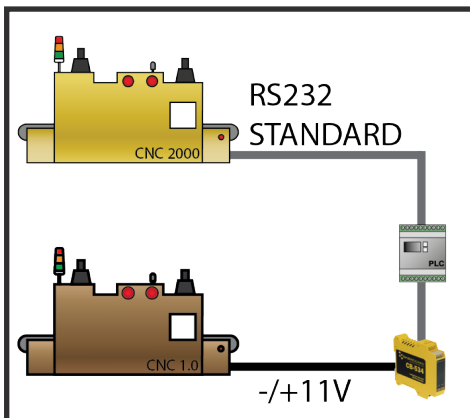
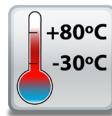
CB-534 Industrial Isolated RS232 Booster

RS232 Booster

- Boosts and isolates RS232 signals
- Max baud rate 120,000
- Works at all data word lengths, parity options and stop bit combinations
- -30°C to +80°C / -22°F to +176°F Temperature range

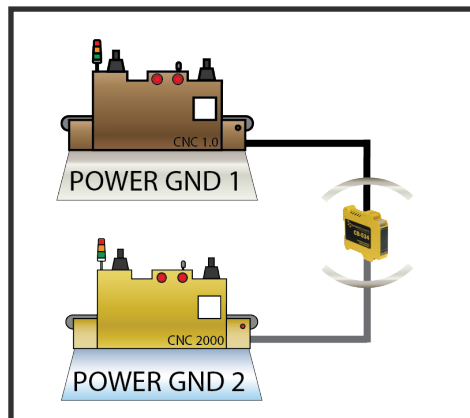


| | ISOLATION | OUTPUT SWING -11V to +11V | RS232 | RS422/485 | PROTOCOL CONVERSION | MAX BAUD |
|--------|-----------|------------------------------|-------|-----------|------------------------|-------------|
| CB-512 | ✓ | ✗ | ✓ | ✓ | ✓ | 1 Mb |
| CB-523 | ✗ | ✗ | ✓ | ✓ | ✓ | 1 Mb |
| CB-534 | ✓ | ✓ | ✓ | ✗ | ✗ | 120 kb |



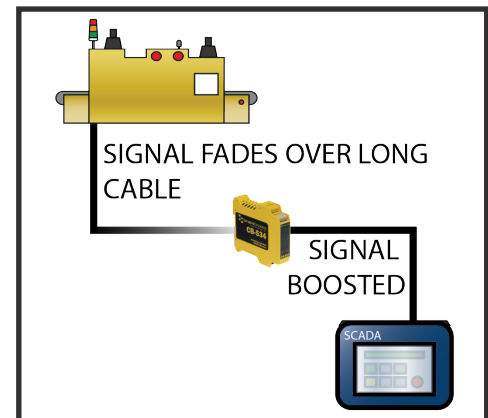
Connect to legacy equipment

Some machines require a larger voltage input than the RS232 standard. The CB-534 conditions the signal to make it suitable for legacy equipment.



Protect with Isolation

CB-534 isolates the connected devices from each other. This protects against relative differences in ground voltages.



Boost RS232 signal

RS232 signal can degrade over long cable runs. The CB-534 boosts the RS232 signal enabling additional distance between connections.

CB-534

Industrial Isolated RS232 Booster



Booster for RS232 signal can extend cable length. Works with a wide voltage swing and outputs -11V to +11V signal making it suitable for legacy and non-conforming RS232 equipment. Provides isolation between two RS232 devices. This product doesn't require any software, simply connect using the easy-wire numbered terminal blocks.

Connectors

| | |
|-----------------|--|
| Screw Terminals | 3.5mm pitch, #22 - #14, 0.5mm ² -2.5mm ² pin |
| Conductor Wire | 28 to 16 AWG, 0.14mm to 1.5mm Max |

Environmental

| | |
|---------------------------|----------------------------------|
| Operating Temperature | -30°C to +80°C / -22°F to +176°F |
| Storage Temperature | -40°C to +85°C / -40°F to +185°F |
| Ambient Relative Humidity | 5 to 95% (non-condensing) |

Serial Port

| | |
|-------|---------|
| Ports | 2 RS232 |
|-------|---------|

Port Settings

| | |
|---------------------|---|
| Baud Rate | 120,000 max |
| Output signal swing | Typ. +/- 11V into RS-232 compliant load |
| Signals supported | TXD, RXD, RTS, CTS |

Power Supply

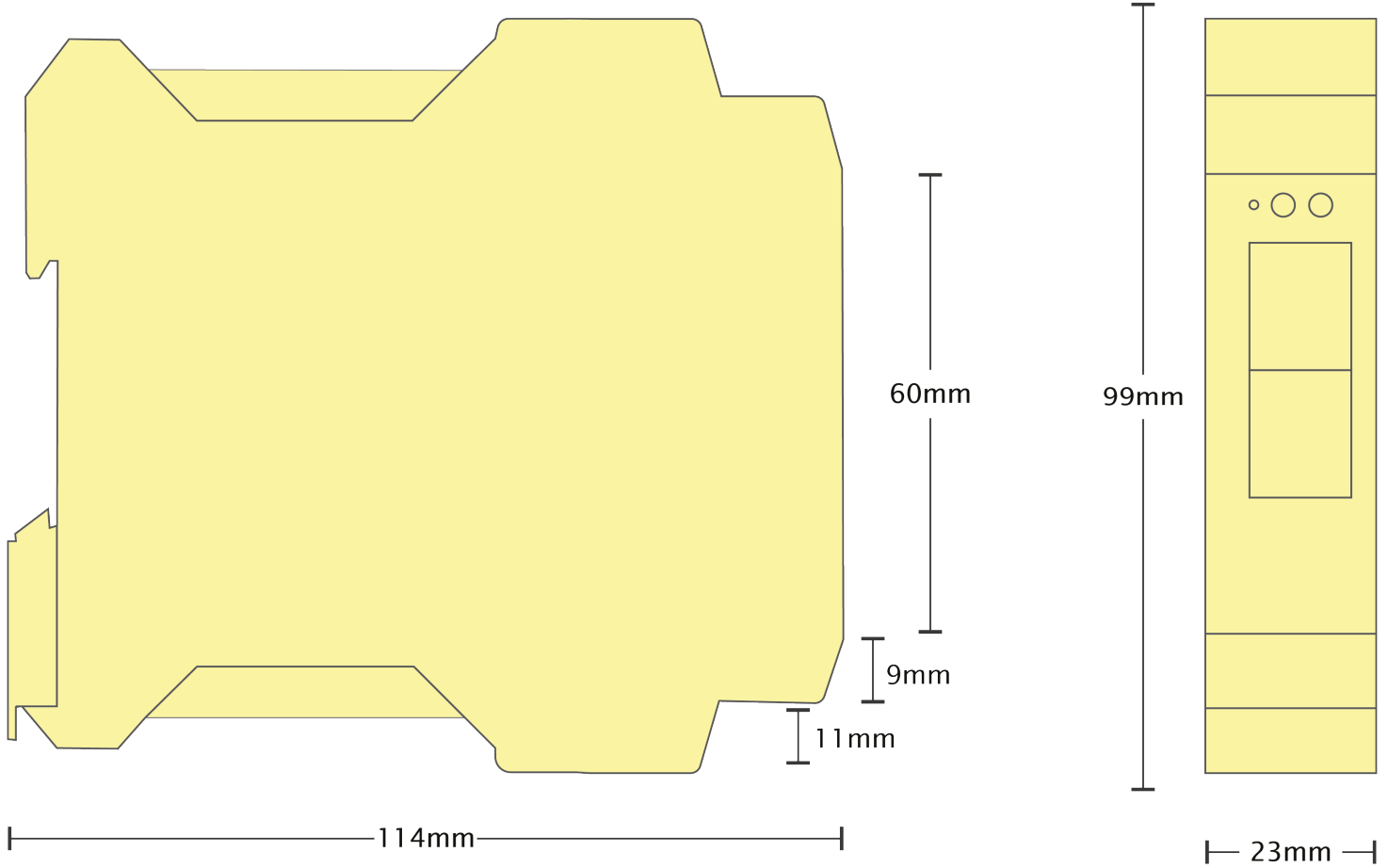
| | |
|--------------------|---|
| Power Supply input | Redundant DC Dual Power Inputs, reverse polarity protected +5 VDC to +30VDC |
| Power Consumption | 2.5 Watt typical 110mA@24V |

CB-534

Industrial Isolated RS232 Booster

Housing

IP-20 rated non-conducting polyamide case



Terminal Block Pin Outs: Yellow: Port 1 / Grey: Port 2

| | Pin 1 | Pin 2 | Pin 3 | Pin 4 | Pin 5 |
|-----------------------------------|---------|-------|-------|-------|----------|
| RS232 | SIG GND | CTS | RxD | RTS | TxD |
| Black: +5V to +30V DC Power Input | | | | | |
| Power | -V | +VA | +VB | -V | Func GND |

Lifetime Warranty and Support:

We can help with every aspect of your project, from getting you up and running to custom application.