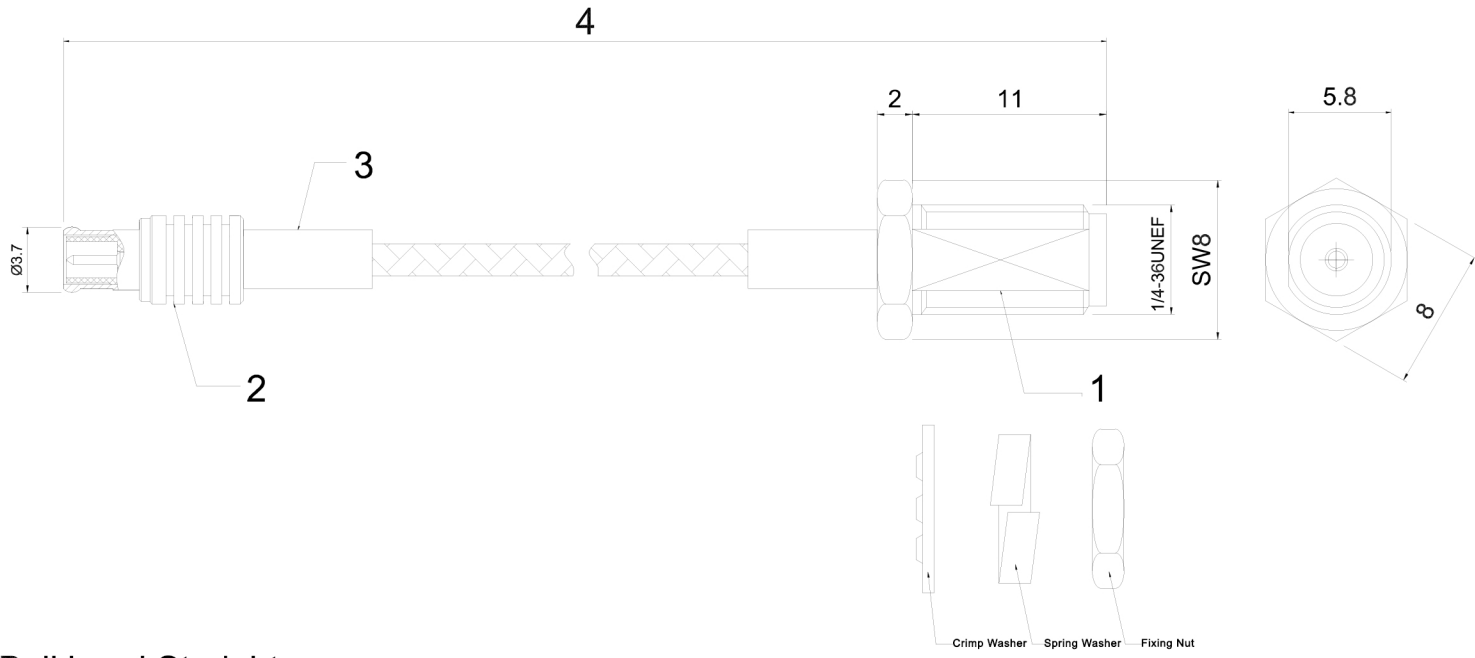


A4 (297\*210mm)



Notes:

- 1.SMA Female Bulkhead Straight
  - 2.MCX Male Straight
  - 3.Heatshrink
  - 4.Overall Length 200mm
- Attenuatuon:-1.5dB  
VSWR(Max):1.5  
Nominal Impedance:50ohm  
RoHS Compliant



Description:	SMA(F) to MCX(M) Cable Assembly 200mm
Part No :	CBA-SMAF-MMCXM
Date:	28.2.2023