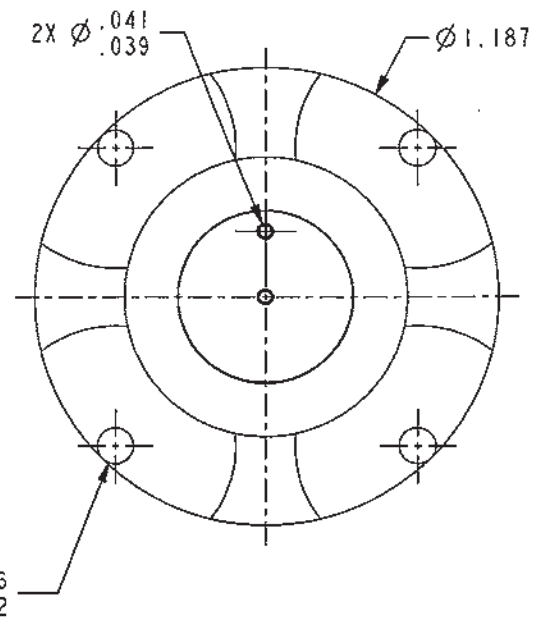
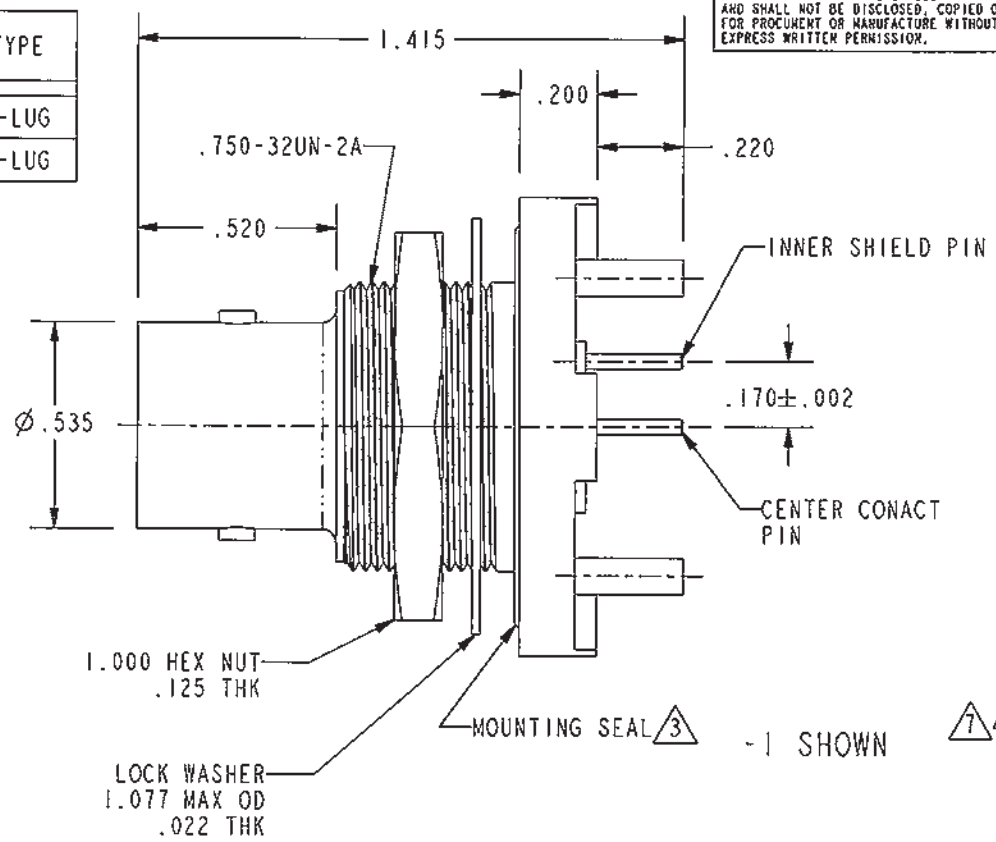


| DASH NO | MODEL NO | TYPE |
|---------|----------|-------|
| -1 | CBBJ82 | 2-LUG |
| -2 | CBBJ823 | 3-LUG |

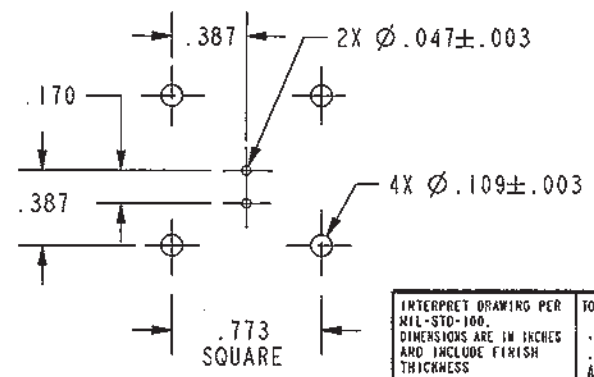
DATA CONTAINED IN THIS DOCUMENT IS PROPRIETARY TO TROMPETER ELECTRONICS INC. AND SHALL NOT BE DISCLOSED, COPIED OR USED FOR PROCUREMENT OR MANUFACTURE WITHOUT EXPRESS WRITTEN PERMISSION.

| REVISIONS | | | |
|-----------|-----------------------|---------|----------|
| REV | DESCRIPTIONS | DATE | APPROVED |
| F | REVISED PER ECO 14566 | 5/29/02 | WJX |

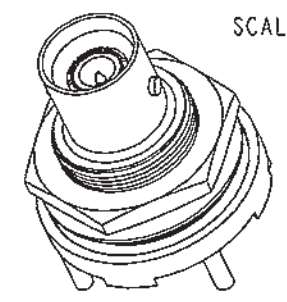


RED INDICATES ORIGINAL

- 7 PRE-TINNED, .0015 MAXIMUM THICKNESS WITH SN63 OR EQUIV SOLDER, PER QQ-S-571, TO WITHIN .060 MAXIMUM OF SHOULDER, AFTER PLATING
- 6. INTERFACE: TCS-BJ80
- 5. MAX BOARD THK .190
- 4. MAX PANEL THK .250 (WITH 2 FULL THD EXPOSED)
- 3 PARKER SEAL NO. 2-021S604-70 (.926 GLAND ID)
- 2. FINISH: TFS-1A (NICKEL)
- 1. CONCENTRIC TWINAX/TRIAX, SERIES TRC, CIRCUIT BOARD/BULKHEAD JACK



RECOMMENDED
MTG HOLE PATTERN
SCALE 1/1



NOTES: UNLESS OTHERWISE SPECIFIED.

| | | | | | |
|--|------------------|--|--|--|----------|
| INTERPRET DRAWING PER MIL-STD-100. DIMENSIONS ARE IN INCHES AND INCLUDE FINISH THICKNESS UNLESS OTHERWISE SPECIFIED. | | TOL: UNLESS SPECIFIED. .XX ± .02 .XXX ± .005 ANGLE ± 1° | | TROMPETER RF connectivity <small>a cinch connectivity solutions brand</small> | |
| DRN JCM 5-28-02 CHK TSW 5/29/02 QUALITY 5/29/02 MANUF 5/29/02 APPROVED WJX 5/29/02 | MATERIAL: | | TITLE: CBBJ82/CBBJ823 | | REV. F |
| NEXT ASSY 3-0041 | DO NOT SCALE DWG | SEE NOTE 2 | SIZE A CAGE CODE 14949 SCALE 2/1 | DRAWING NO. 3-0041 DATE 7-12-79 | SHEET 1C |