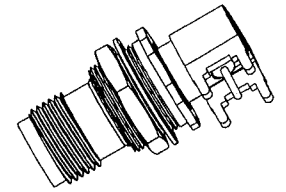
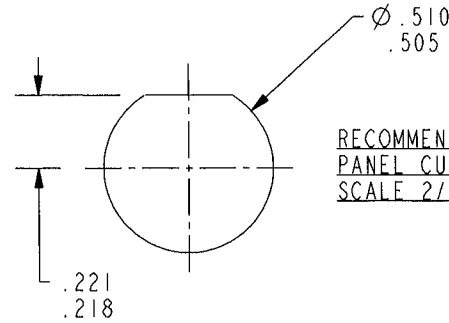
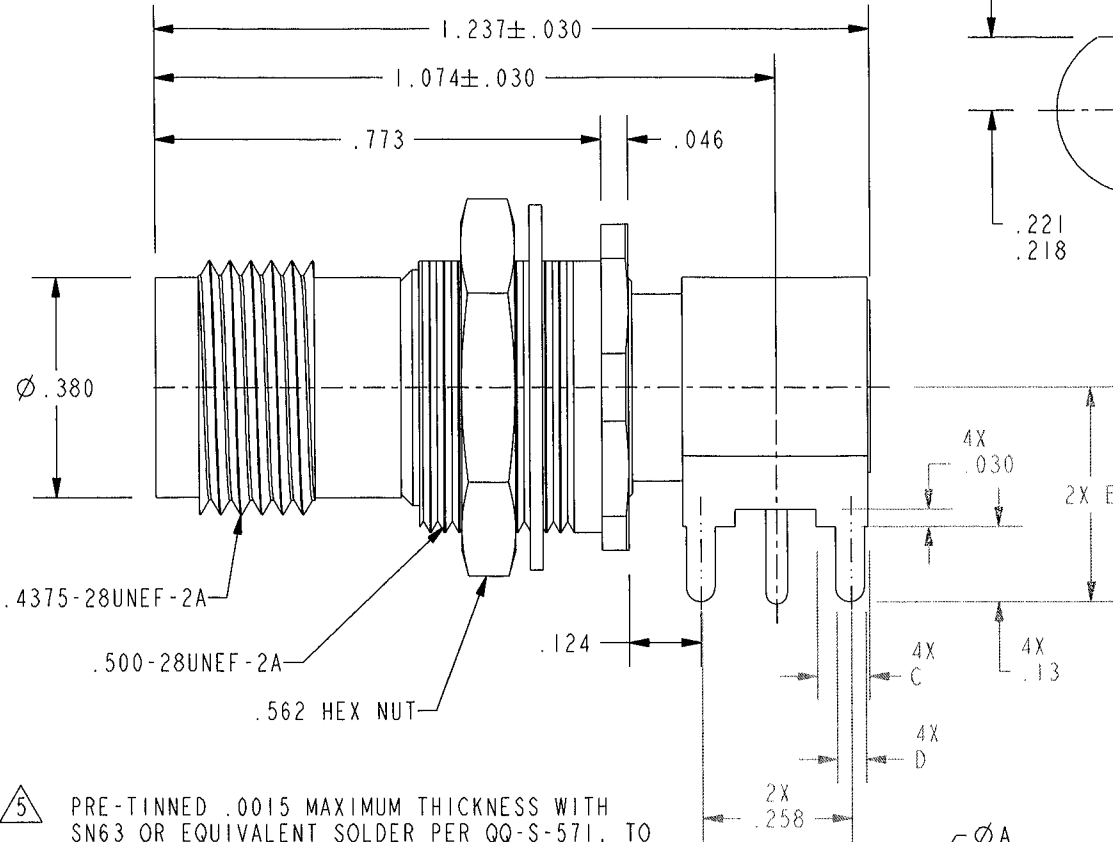


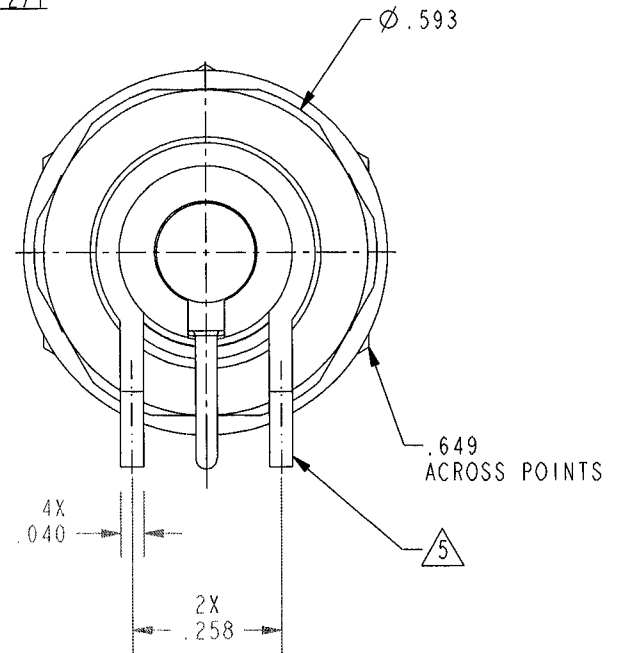
DASH NUMBER	MODEL NUMBER	LETTER CODE	IMPEDANCE $\Omega$	A DIA	B DIM	C DIM	D DIM	E DIA
-1	CBBJR46		50	.046	.24	.090	.050	.0625
-2	UCBBJR46		75	.029				
-3	CBBJR46A	A	50	.046	.34	.090	.058	.070
-4	UCBBJR46A		75	.029				

DATA CONTAINED IN THIS DOCUMENT IS PROPRIETARY TO TROMPETER ELECTRONICS INC. AND SHALL NOT BE DISCLOSED, COPIED OR USED FOR PROCUREMENT OR MANUFACTURE WITHOUT EXPRESS WRITTEN PERMISSION.

REVISIONS			
REV	DESCRIPTIONS	DATE	APPROVED
D	REVISED PER ECO 16637	7-18-08	<i>OKama</i>



SCALE 1/1



- 1 SHOWN

**RED INDICATES ORIGINAL**

5. PRE-TINNED .0015 MAXIMUM THICKNESS WITH SN63 OR EQUIVALENT SOLDER PER QQ-S-571, TO WITHIN .060 MAXIMUM OF SHOULDER AFTER PLATING

4. MAXIMUM PANEL THICKNESS .156

3. EXAMPLE OF COMPLETE MODEL NUMBER:

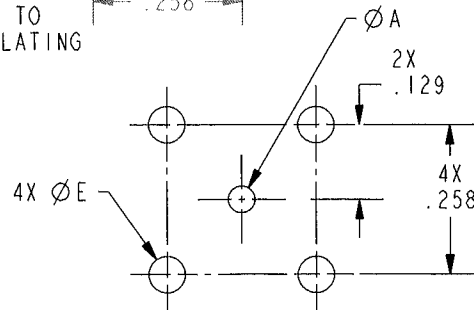
CBBJR46 A

BASIC MODEL NUMBER      LETTER CODE

2. FINISH: TFS-1A (NICKEL)

1. 50 & 75  $\Omega$  RIGHT ANGLE CIRCUIT BOARD AND INSULATED BULKHEAD MOUNTING BNC RECEPTACLE

NOTES: UNLESS OTHERWISE SPECIFIED.



RECOMMENDED  
MTG HOLE PATTERN  
SCALE 3/1

INTERPRET DRAWING PER MIL-STD-100. DIMENSIONS ARE IN INCHES AND INCLUDE FINISH THICKNESS UNLESS OTHERWISE SPECIFIED.

TOL: UNLESS SPECIFIED.  
.XX ± .02  
.XXX ± .010  
ANGLE ± 1°

**TROMPETER**  
ELECTRONICS, INC.

DRN JOHNSON 5-28-08  
CITY QM 6-23-08  
QUALITY

MATERIAL:  
FINISH:

TITLE:  
U/CBBJR46/A

APPROVED *SM* 7/17/08  
PROVE FILE NO. 1-0055

SCALE 3/1

SIZE CAGE CODE A 14949

DRAWING NO. 1-0055  
REV. D

NEXT ASSY

DO NOT SCALE DWG

SCALE 3/1

DATE 10-30-84  
SHEET 1C