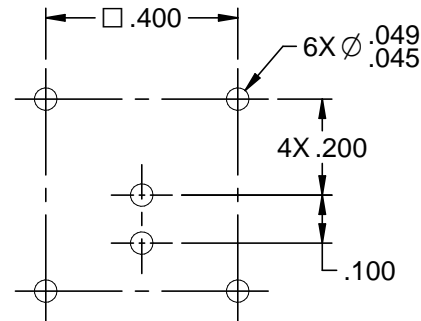


NOTES: UNLESS OTHERWISE SPECIFIED.

1. FEMALE SUBMINIATURE TRIAXIAL PC BOARD MOUNT JACK.
2. FINISH:  
BODY: NICKEL  
CONTACT: GOLD
3. MAXIMUM BOARD THICKNESS: .125
4. MINIMUM CENTER TO CENTER MOUNTING: .500
5. PRE- TINNED.



**RECOMMENDED MOUNTING HOLE PATTERN**

		<b>Trompeter</b>	
		Title: TRS CIRCUIT BOARD MOUNT	
<small>This PROPRIETARY Document is property of Emerson Network Power Connectivity Solutions. It is confidential in nature, non-transferable, and issued with the clear understanding that it is not tracked or copied without permission and is retrievable upon demand.</small>		Model No.	CBJ157
<small>UNLESS OTHERWISE SPECIFIED</small> .XX ± .02 .XXX ± .005 ANGLES ± 2°	Size <b>A</b>	DO NOT SCALE DRAWING	Date: 4/17/2013
<small>INTERPRET DRAWING IN ACCORDANCE WITH ASME Y14.5-2009.</small>		Sheet 1 of 1	Date: 4/17/2013