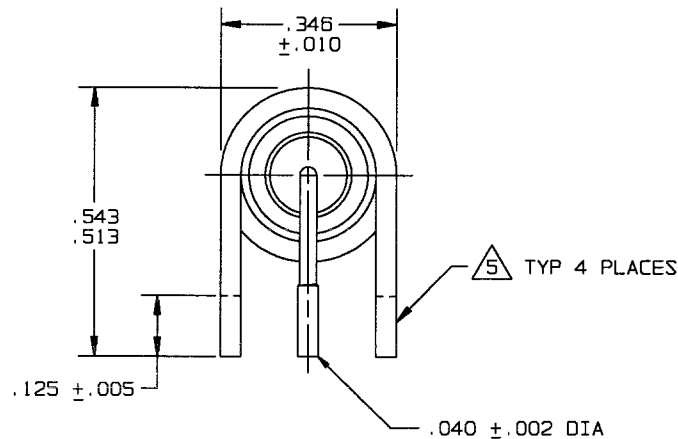
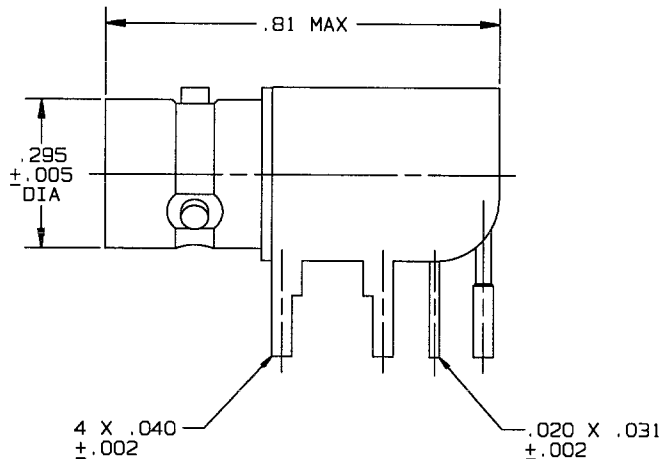


RED INDICATES ORIGINAL

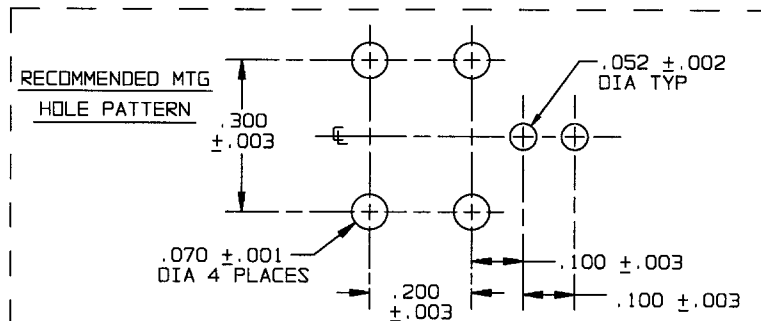
DATA CONTAINED IN THIS DOCUMENT IS PROPRIETARY TO TROMPETER ELECTRONICS INC. AND SHALL NOT BE DISCLOSED, COPIED OR USED FOR PROCUREMENT OR MANUFACTURE WITHOUT EXPRESS WRITTEN PERMISSION.

REVISIONS			305-1259	SH 1	
REV	EO	DESCRIPTION	OWN	APPROVED	DATE
A		PRODUCTION RELEASE	DKC		

INCH	MM
.001	0.03
.0015	0.04
.002	0.05
.003	0.08
.005	0.13
.010	0.25
.020	0.51
.030	0.76
.031	0.79
.040	1.02
.052	1.32
.060	1.52
.070	1.78
.100	2.54
.125	3.18
.173	4.39
.200	5.08
.240	6.10
.295	7.49
.300	7.62
.346	8.79
.480	12.19
.778	19.76



-1 SHOWN



5 PRE-TINNED, .0015 MAXIMUM THICKNESS WITH SNG3 OR EQUIV SOLDER, PER QQ-S-571, TO WITHIN .060 MAXIMUM OF SHOULDER, AFTER PLATING

4. VERTICAL CLEARANCE BETWEEN CIRCUIT BOARDS (INCLUDING MATING CONNECTOR) .480 MINIMUM
3. CONCENTRIC TWINAX/TRIAX, RIGHT ANGLE CIRCUIT BOARD MOUNT RECEPTACLE W/.040 DIA CENTER CONTACT
2. FINISH: TFS-1A (NICKEL)
1. ALL DIM ARE IN INCHES

QTY	DESCRIPTION	PART NUMBER	ITEM
TOL UNLESS SPECIFIED	TROMPETER ELECTRONICS, INC.	CBJR157 WITH .040 DIA CENTER CONTACT	
.XX ±			
.XXX ± .030			
.XXXX ±			
ANGLES ±			
OWN	DKC	9-24-98	MATERIAL
CHK	WM	10-1-98	CODE IDENT
ENGR			14949
APPR		10-1-98	DRAWING NO.
			305-1259
			REV
			A
NEXT ASSY	APPR	10-1-98	SCALE 4/1
			DATE 10/1/98
			SHEET 1 OF 2