

DISK # C9
DWG SIZE B

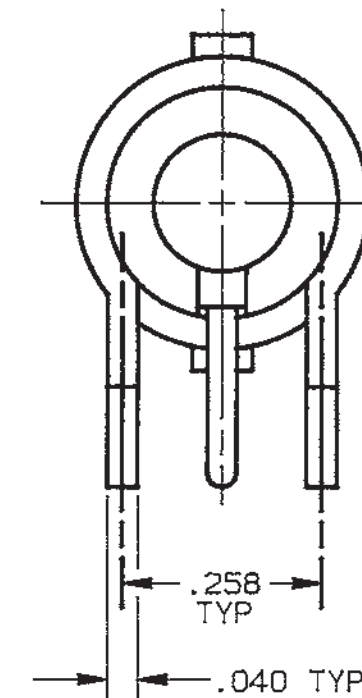
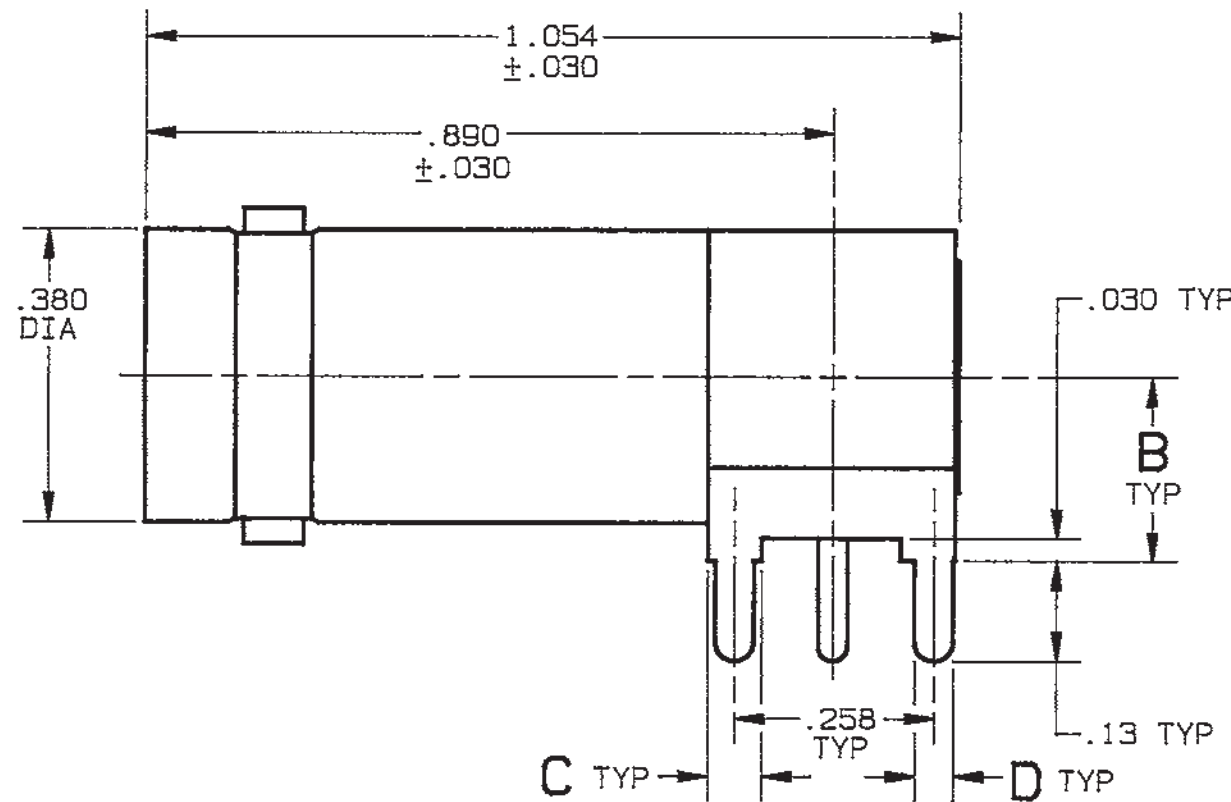
DATA CONTAINED IN THIS DOCUMENT IS PROPRIETARY TO TROMPETER ELECTRONICS INC. AND SHALL NOT BE DISCLOSED, COPIED OR USED FOR PROCUREMENT OR MANUFACTURE WITHOUT EXPRESS WRITTEN PERMISSION.

REVISIONS			1-0044		SH 1
REV	EO	DESCRIPTION	DWN	APPROVED	DATE
H	9449	CHANGE "C" DIM FROM .070 TO .090, -1 AND -2; DWG NO WAS 1000-0044; & REDWN	DKC	B.M.; Dal	10-2-91

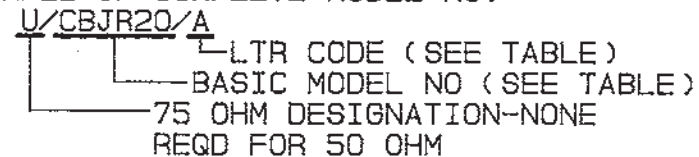
DASH NO	MODEL NO	LTR CODE	IMPD	A DIA	B DIM	C DIM	D DIM	E DIA
-1	CBJR20	A	50	.046	.24	.090	.050	.0625
-2	UCBJR20		75	.029				
-3	CBJR20A		50	.046	.34		.058	.070
-4	UCBJR20A		75	.029				

INCH	MM
.001	0.03
.005	0.13
.010	0.25
.029	0.74
.030	0.76
.040	1.02
.046	1.17
.050	1.27
.058	1.47
.0625	1.59
.090	2.29
.13	3.30
.24	6.10
.258	6.55
.34	8.64
.380	9.65
.890	22.61
1.054	26.77

-1 SHOWN



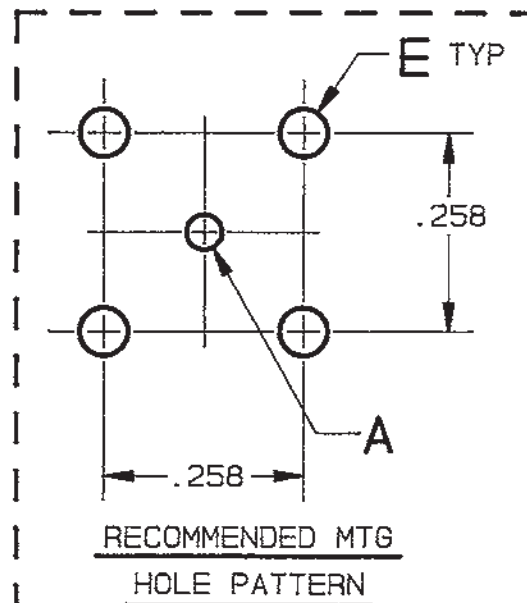
4. EXAMPLE OF COMPLETE MODEL NO:



3. FINISH: TFS-1A (NICKEL)

2. 50 & 75 OHM RIGHT ANGLE CIRCUIT BOARD MOUNTING BNC RECEPTACLE

1. ALL DIM ARE IN INCHES



QTY	DESCRIPTION		PART NUMBER	ITEM
TOL UNLESS SPECIFIED		TROMPETER RF connectivity <small>a cinch connectivity solutions brand</small>	U/CBJR20/A	
.XX ± .01 .XXX ± .005 .XXXX ± .0010 ANGLES ±				
DWN	DKC	9-13-91	MATERIAL	CODE IDENT
CHK	B.M.	9-24-91	14949	DRAWING NO. 1-0044
ENGR	Dal	10-2-91	SCALE 4/1	DATE 2-1-83
NEXT ASSY	APPR	10-2-91	SHEET 1 OF 2	