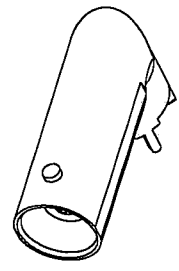
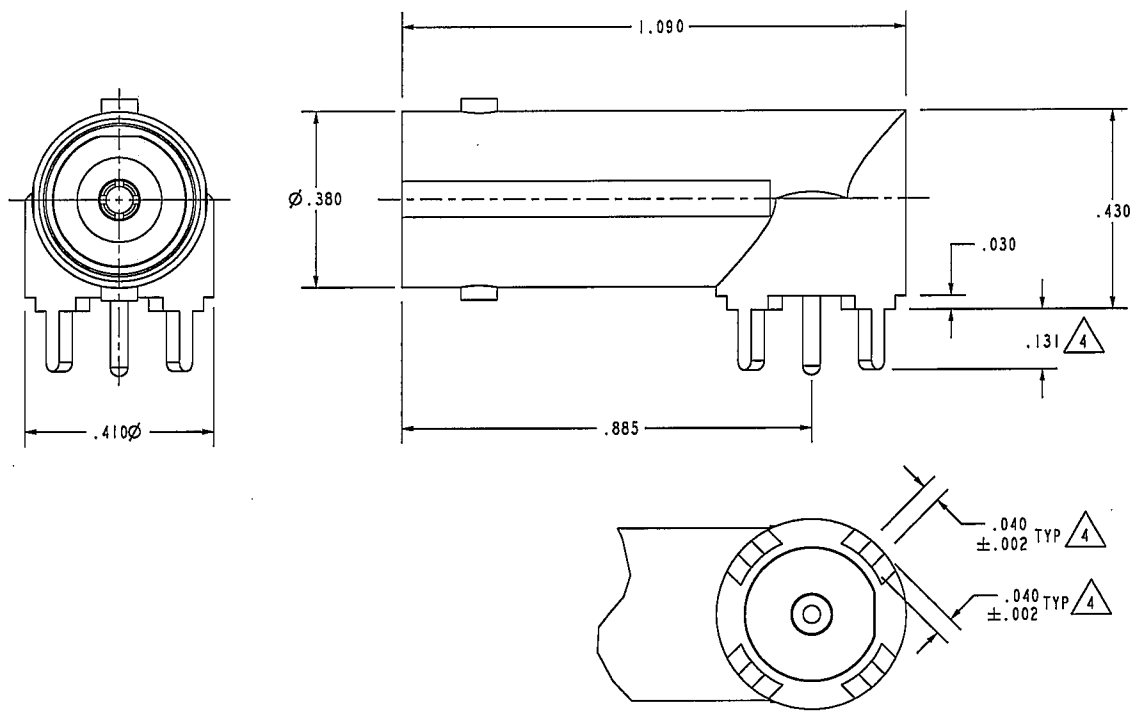


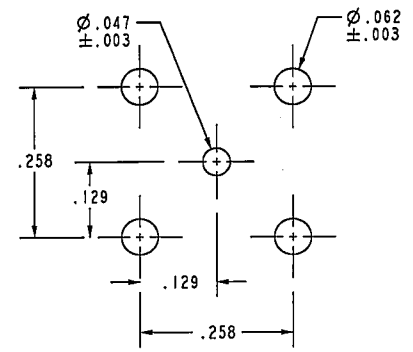
# RED INDICATES ORIGINAL

DATA CONTAINED IN THIS DOCUMENT IS PROPRIETARY TO TROMPETER ELECTRONICS INC. AND SHALL NOT BE DISCLOSED, COPIED OR USED FOR PROCUREMENT OR MANUFACTURE WITHOUT EXPRESS WRITTEN PERMISSION

REVISIONS				1-0526	SH 1
REV	ECO NO.	DESCRIPTION	DWN	APPROVED	DATE
A		PRODUCTION RELEASE	AAH		



SCALE 2/1



RECOMMENDED MIG HOLE PATTERN

4 DIMENSIONS INDICATED ARE BEFORE TINNING OF BODY LEGS WITH .0015 MAX THK, SN63 PER QQ-S-571 OR EQUIV TO WITHIN .060 OF SHOULDER

- 3. FINISH: TFS-1A (NICKEL)
- 2. 50 Ω CIRCUIT BOARD MOUNTED RIGHT ANGLE BNC RECEPTACLE
- 1. ALL DIM ARE IN INCHES

QTY	DESCRIPTION		PART NUMBER	ITEM
TOL UNLESS SPECIFIED			TROMPETER ELECTRONICS, INC. ©	CBJR220
.XX ± .005				
.XXX ± .005				
.XXXX ± .005				
ANGLE ±				
DWN	AAH	12-5-94	MATERIAL	CODE IDENT
CHK	BW	12-13-94	14949	DRAWING NO. 1-0526
ENGR				REV A
NEXT ASSY	APPR	(Signature) 12/13/94	SCALE 4/1	DATE 12/13/94
				SHEET 1 OF 2