

Table of Specifications

Midi 4-Pole Contactors



Frame size				
Type	Screw clamp terminal			
Number of poles	4			
Rated operational voltage (Ue)	690V			
Rated insulation voltage (Ui)	690V			
Rated frequency	50/60Hz			
Rated impulse withstand voltage, Uimp	6kV			
Maximum operating rate in operating cycles per hour(AC1)	1800 operations per hour			
Durability	Mechanical			
	Electrical			
Current and Power	AC-1	Thermal current	A	
		200/240V	kW	
		380/400V	kW	
			A	
		500/550V	kW	
			A	
UL rating (50/60Hz)	Continuous current	200~240V	HP	
		220~240V	HP	
		200~208V	HP	
		220~240V	HP	
		440~480V	HP	
		550~600V	HP	
Size and weight	NEMA Size	Weight	kg	
		Size(W × H × D)	mm	
		Weight	kg	
		Size(W × H × D)	mm	
		Auxiliary(standard)		
		Auxiliary	Side Mount	
Front Mount				



18AF		
CC9/4	CC12/4	CC18/4
●		
4pole		
690V		
690V		
50/60Hz		
6kV		
1800 operations per hour		
15 mil. Operations		
0.5 mil. Operations	0.8 mil. Operations	
25	25	40
9	9	15
25	25	40
17	17	27
25	25	40
21	21	35
25	25	40
27	27	44
25	25	40
25	25	32
0.5	0.75	1
1.5	2	3
2	3	5
3	5	7.5
5	7.5	10
7.5	10	15
00	0	0
0.33		
45 × 73.5 × 79		
0.5		
45 × 73.5 × 110.7		
-		
GUA1		
GUA2, GUA4		

Table of Specifications



22AF
CC22/4
●
4pole
690V
690V
50/60Hz
6kV
1800 operations
15 mil. Operations
1 mil. Operations
40
15
40
27
40
35
40
44
40
32
2
3
7.5
7.5
10
15
1
0.4
47.2 × 80 × 86.8
0.5
47.2 × 80 × 113.2
-
GUA1
GUA2, GUA4

40AF	
CC32/4	CC40/4
●	
4pole	
690V	
690V	
50/60Hz	
6kV	
1800 operations per hour	
15 mil. Operations	
1 mil. Operations	
50	60
18	22
50	60
35	42
50	60
43	52
50	60
55	66
50	60
45	50
2	3
5	5
7.5	10
10	10
20	25
20	25
1	1
0.59	
59 × 83.5 × 94.5	
0.7	
59 × 83.5 × 121	
-	
GUA1	
GUA2, GUA4	

85AF			
CC50/4	CC65/4	CC75/4	CC85/4
●			
4pole			
690V			
1000V			
50/60Hz			
8kV			
1800 operations per hour			
12 mil. Operations			
1 mil. Operations			
80	100	110	135
30	37	41	51
80	100	110	135
56	70	76	95
80	100	110	135
70	88	97	120
80	100	110	135
88	110	120	150
80	100	110	135
70	80	90	100
3	5	5	7.5
7.5	10	15	15
10	15	20	25
15	20	25	30
30	40	50	50
30	40	50	50
2	2	2	3
1.2			
91 × 123.5 × 117.8			
1.29			
91 × 123.5 × 117.8			
-			
GUA1			
GUA2, GUA4			

Table of Specifications

Power 4-Pole Contactors



Frame size			
Type	Screw clamp terminal		
Number of poles	4pole		
Rated operational voltage (Ue)	690V		
Rated insulation voltage (Ui)	1000V		
Rated frequency	50/60Hz		
Rated impulse withstand voltage, Uimp	8kV		
Maximum operating rate in operating cycles per hour(AC1)	1200 operations per hour		
Durability	Mechanical		
	15 mil. Operations		
Current and Power	Electrical		
	0.8 mil. Operations		
Current and Power	AC-1	Thermal current	A
		200/240V	kW
		380/400V	kW
			A
		500/550V	kW
			A
	690V	kW	
		A	
UL rating (50/60Hz)	Continuous current		A
	Single Phase	110~120V	HP
		220~240V	HP
		200~208V	HP
	Three Phase	220~240V	HP
440~480V		HP	
	550~600V	HP	
Size and weight	NEMA Size		
	AC Control	Weight	kg
		Size(W × H × D)	mm
	DC Control	Weight	kg
Size(W × H × D)		mm	
Auxiliary(standard)			
Auxiliary	Side Mount		
	Front Mount		

* - FLA = 722 A, LRA = 5618 A
 ** - FLA = 566 A, LRA = 4495 A

225AF				
CC100/4	CC130/4	CC150/4	CC185/4	CC225/4
●				
4pole				
690V				
1000V				
50/60Hz				
8kV				
1200 operations per hour				
15 mil. Operations				
0.8 mil. Operations				
160	165	250	300	330
57	60	76	87	100
150	155	200	230	260
106	110	142	165	185
150	155	200	230	260
132	137	180	205	230
150	155	200	230	260
165	170	225	255	290
150	155	200	230	260
160	160	210	230	275
7.5	10	15	15	15
15	20	25	30	40
30	40	40	60	60
30	40	50	60	75
60	75	100	125	150
60	75	100	125	150
3	3	4	4	4
5.6				
175 × 203 × 185				
2a2b				
AX100				
-				

Table of Specifications



400AF		
CC265/4	CC330/4	CC400/4
●		
4pole		
690V		
1000V		
50/60Hz		
8kV		
1200 operations per hour		
15 mil. Operations		
0.5 mil. Operations		
360	420	500
115	135	160
300	350	420
215	250	300
300	350	420
265	315	375
300	350	420
335	390	470
300	350	420
300	350	450
-	-	-
-	-	-
75	100	125
100	100	150
200	200	300
200	200	300
5	5	5

800AF		
CC500/4	CC630/4	CC800/4
●		
4pole		
690V		
1000V		
50/60Hz		
8kV		
1200 operations per hour		
12 mil. Operations		
0.5 mil. Operations		
630	750	900
245	255	310
630	660	800
450	470	570
630	660	800
560	590	710
630	660	800
710	740	900
630	660	800
580	660	900
-	-	-
-	-	-
150	200	200
200	250	300
400	500	600 *
400	500	600 **
6	6	7

9.9
206 × 243 × 205

26.3
346 × 310 × 244

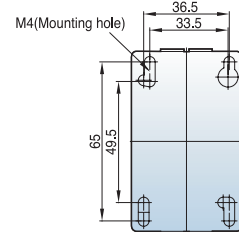
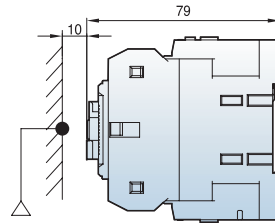
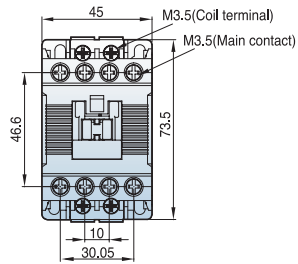
2a2b
AX100
-

2a2b
AX100
-

Contactors (CC9/4 ~ CC22/4)

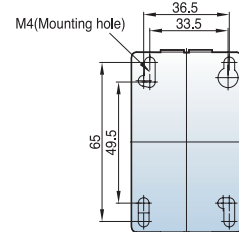
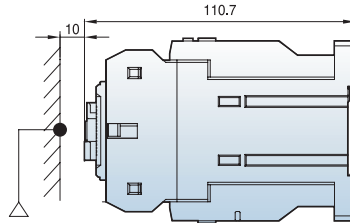
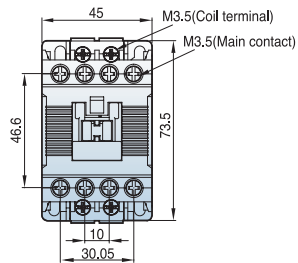
[mm]

CC9/4 ~ CC18/4
AC coil



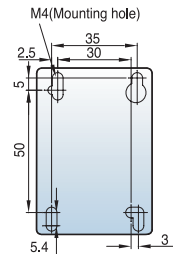
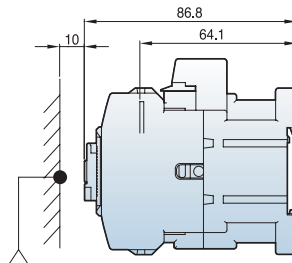
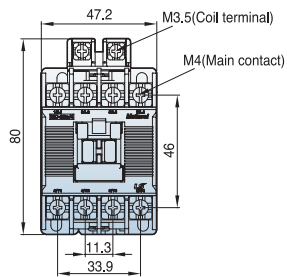
0.3kg

CC9/4 ~ CC18/4
DC coil



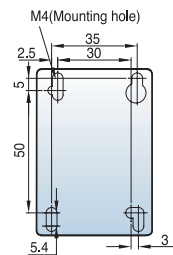
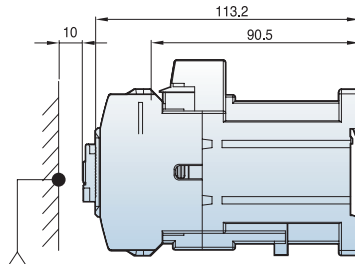
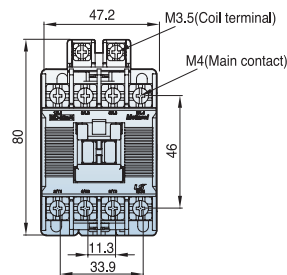
0.45kg

CC22/4
AC coil



0.4kg

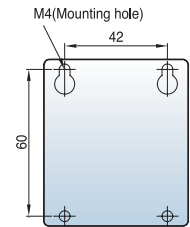
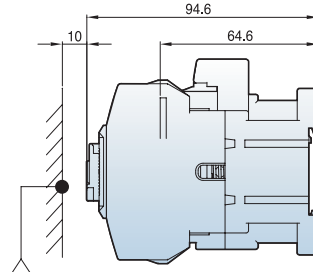
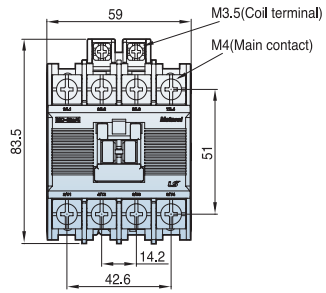
CC22/4
DC coil



0.5kg

Contactors (CC32/4 ~ CC85/4)

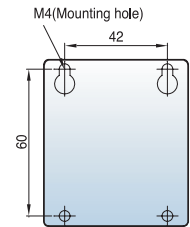
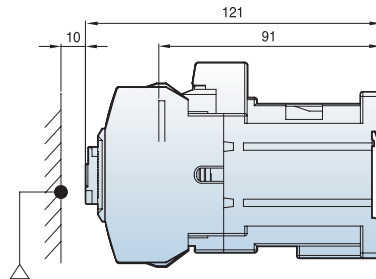
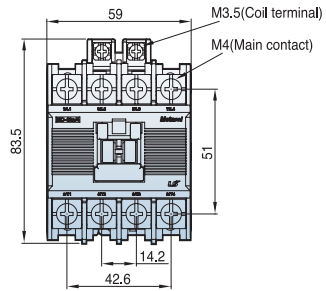
CC32/4 ~ CC40/4
AC coil



[mm]

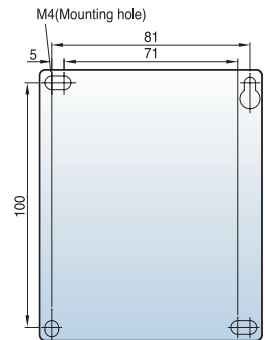
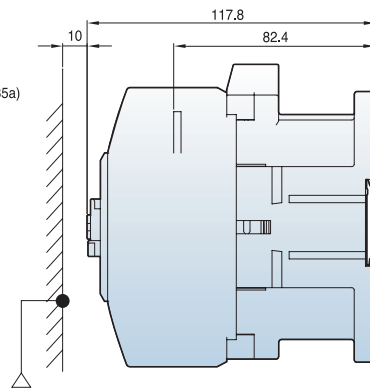
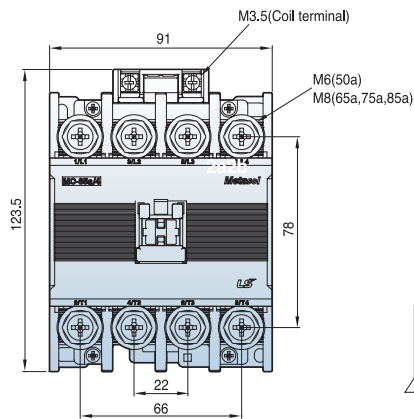
0.59kg

CC32/4 ~ CC40/4
DC coil



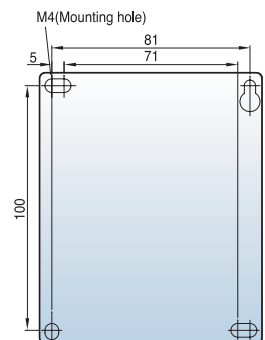
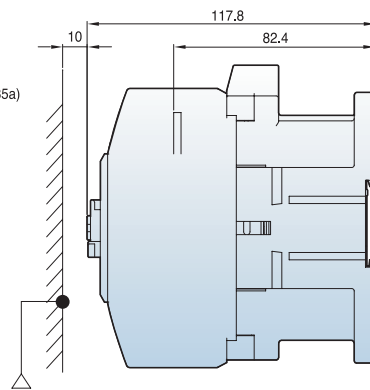
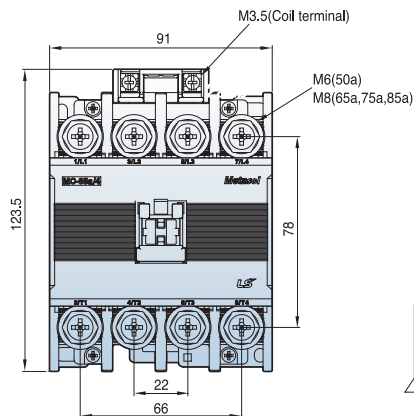
0.7kg

CC50/4 ~ CC85/4
AC coil



1.2kg

CC50/4 ~ CC85/4
DC coil

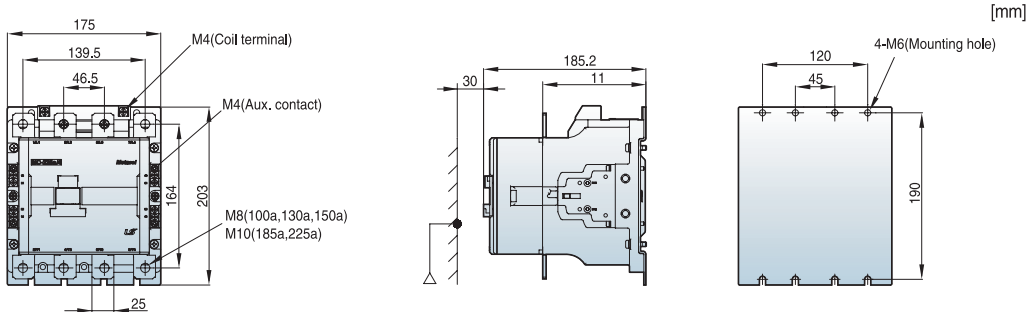


1.29kg

Specifications are subject to change without notice.

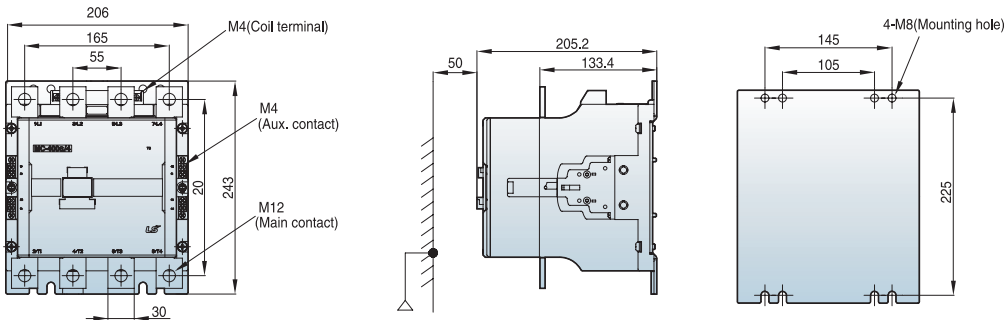
Contactors (CC100/4 ~ CC800/4)

CC100/4 ~ CC225/4



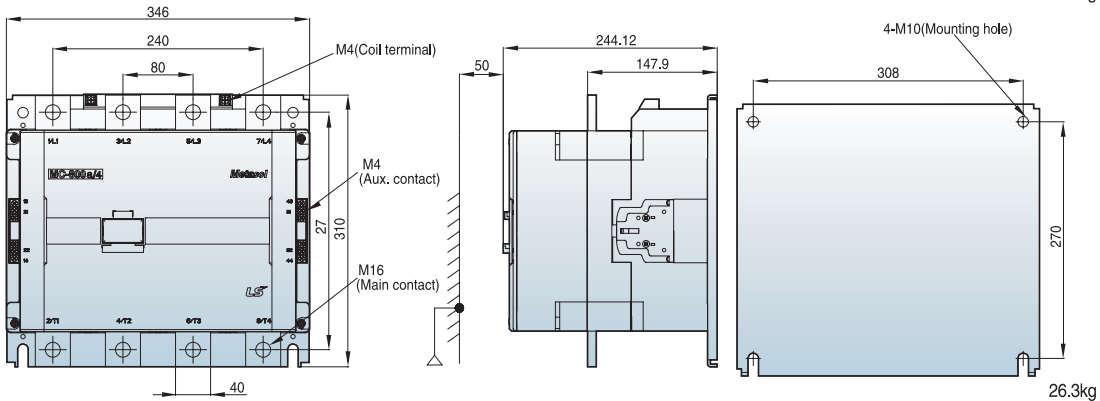
5.6kg

CC265/4 ~ CC400/4



9.9kg

CC500/4 ~ CC800/4



26.3kg