

Compact Circuit Protector

UL 98 Class CF disconnect switches up to 400 A (cat. no. CCP2)



CCP2 switch up to 100 A



200 A CCP2 switch



400 A CCP2 switch

Contents

Page

30, 60 and 100 amp switches

| | |
|---|-----|
| Descriptions and specifications | 2-3 |
| Catalog numbers | 4 |
| Terminal data | 5 |
| Dimensions | 5-7 |

200 and 400 A switches

| | |
|--|-------|
| Descriptions and specifications | 8 |
| Catalog numbers and horsepower ratings | 9 |
| Available lugs | 9 |
| Dimensions | 10-11 |

Accessories

| | |
|---|----|
| Multi-wire lug kits | |
| 30, 60 and 100 A switches | 12 |
| 200 and 400 A switches | 13 |
| Handles and shafts | |
| Selector and pistol handles | 14 |
| Handle shafts | 15 |
| NFPA 79 compliant handles | 15 |
| Flange handle rod and cable operators | 16 |

| | |
|--|----|
| 200 and 400 A switches | |
| Front and side rotary mechanisms | 17 |
| Terminal shroud kits | 17 |
| Phase barrier kits | 17 |
| Handle extension | 17 |
| Auxiliary contacts | |
| 30, 60 and 100 A switches | 18 |
| 200 and 400 A switches | 19 |

How to order

| | |
|--|-------|
| 30 and 60 A switches | |
| Front and right side rotary switches | 22-23 |
| Switch only | 24 |
| Left side rotary switches | 25 |
| 100 A switches | |
| Front and right side rotary switches | 26-27 |
| Switch only | 28 |
| Left side rotary switches | 29 |
| 200 and 400 A switches | |
| 200 A switches | 30-31 |
| 400 A switches | 32-33 |

Motor fuse sizing table 34-35



Powering Business Worldwide

Catalog symbols for 30, 60 and 100 A switches

| Symbol | Description |
|------------------------|--|
| CCP2-(pole)-(amps)CF | Switch only |
| CCP2R-(pole)-(amps)CF | Right front rotary, clockwise operated switch |
| CCP2RL-(pole)-(amps)CF | Left front rotary, clockwise operated switch |
| CCP2S-(pole)-(amps)CF | Right side rotary, clockwise operated switch |
| CCP2SL-(pole)-(amps)CF | Left side rotary, counterclockwise operated switch |

Description

The revolutionary, next generation Bussmann™ series Compact Circuit Protector (cat. no. CCP2) is a fused UL® 98 branch circuit disconnect switch utilizing the UL Class CF time-delay or fast-acting CUBEFuse™ with Class J electrical performance. With up to a 51 percent smaller footprint than a traditional fusible solution, these switches provide a high 200 kA SCCR to help improve panel and assembly SCCR.

The 35 mm DIN-Rail mount CCP2 is available in a variety of 30, 60 and 100 amp configurations to meet many application needs including rotary operation.

The switch-only versions of the 30, 60 and 100 A disconnects are direct, drop-in replacements for the earlier models (noted by a catalog number starting “CCP-”). The auxiliary contacts are backwards compatible. The multi-wire lug kits and terminal shrouds are not.

Application flexibility is extended with an optional multi-wire lug kit, featuring finger-safe shrouds, that provides three (30 and 60 A switches) and six (100 A switches) additional wire ports on each pole for power distribution applications.

Other accessories include a NO/NC auxiliary contacts that easily integrate into various monitoring systems.

Front and side rotary operated versions are easily applied for through-the-door or through the left or right side operation to enhance safety.

Ratings

- Volts
 - 347 Vac (1-pole switches)
 - 600 Vac (2- and 3-pole switches)
 - 125 Vdc*
- Amps
 - 30 A
 - 60 A
 - 100 A
- SCCR
 - 200 kA RMS Sym.
 - 100 kA DC

Poles

- 1-, 2- and 3-poles catalog number dependent

* Switch amp rating and installed fuse amp rating dependent, see catalog number table for details.

Agency information

- UL 98 Listed, Guide WHTY, File E302370
- cULus to Canadian Standard 22.2 No. 4-04, Guide WHTY7, File E302370
- CSA Certified, C22.2 No. 4, Class 4651-02, File 150484
- RoHS compliant
- CE

Conductors/terminals

- 75°C Cu, see conductor tables for size, type and torque information
- Box lug, single/dual conductor
- Fork terminal suitable for line, load or accessory connection, max. 30 A suitable for use with:
 - 10-24 screw for 30 and 60 A switches
 - 1/4-28 screw for 100 A switches
- Multi-wire lug kits — see accessories for details

Storage and operating temperature

- 20°C to 75°C (-4°F to 167°F)*

* For fuse performance under or above 25°C, consult fuse performance derating charts in the Bussmann Division publication no. 3002, titled Selecting Protective Devices (SPD)

Lockout/tagout provisions

- 1/4" lock, direct use on switches without rotary mechanisms requires a lock with a straight shank of sufficient length to engage all poles

Minimum enclosure size per UL 98*

- 30 and 60 A switch 10" x 8" x 6" (254 x 203 x 152 mm)
- 100 A switch, 12" x 10" x 6" (305 x 254 x 152 mm)

* Smaller enclosures may be used at the discretion of the user, with adherence to NEC minimum wire bend radius requirements.

Mounting**

- 35 mm DIN-Rail
- Mounting foot bracket (Catalog no. CCP2-MT-KIT)

**Switch is panel mount with flange handle cable operator.

Local open fuse indication minimum voltage

- 90 Vac, requires an open fuse to be in the CCP2 and the switch in the ON position

Accessories

- Multi-wire lug kits with terminal shrouds
- Selector and pistol handles for use with rotary operated switches
- 8 mm shafts for use with selector and pistol handles
- Auxiliary contacts
- NFPA 79 compliant handle
- Flange handle rod and cable operators

Carton quantity and shipping weight

| Item | Poles | Qty. | Weight lb (kg) |
|------------------------------------|--------|------|----------------|
| 30 and 60 amp switches | | | |
| Switch only | 1-pole | 12 | 3.8 (1.7) |
| Switch with side rotary mechanism | 2-pole | 1 | 1.3 (0.6) |
| | 3-pole | 1 | 1.6 (0.7) |
| Switch with front rotary mechanism | 2-pole | 1 | 1.3 (0.6) |
| | 3-pole | 1 | 1.6 (0.7) |
| 100 amp switches | | | |
| Switch only | 1-pole | 6 | 3.1 (1.4) |
| Switch with side rotary mechanism | 2-pole | 1 | 1.7 (0.8) |
| | 3-pole | 1 | 2.3 (1.0) |
| Switch with front rotary mechanism | 2-pole | 1 | 1.7 (0.8) |
| | 3-pole | 1 | 2.3 (1.0) |

Features

- Uses UL Class CF time-delay or fast-acting CUBEFuse with Class J electrical performance
- Extremely compact design at 25.4 mm (1 inch) wide per pole
- Amp rating rejection disconnects will not accept a CUBEFuse amp rating greater than switch rating
- High 200 kA short-circuit current rating
- Disconnect rated to provide means for load isolation
- Full voltage rated at 347 Vac (1-pole switches) and 600 Vac (2- and 3-pole switches)
- 125 Vdc* rated to meet specialized applications
- UL 98 Listed and suitable for branch circuit disconnect and branch circuit protection with installed fuses
- Horsepower rated
- Open fuse indication:
 - Local open fuse indication light standard on each pole
 - Additional open fuse indication can be provided by the indicating time-delay CUBEFuse (6 to 100 A)
- Finger-safe construction with 10 AWG (6 mm²) wire or larger
- Built-in switch interlock prohibits removing or installing the fuse while in the ON position
- Padlockable for lockout/tagout procedures with a 1/4" lock
- Rotary operated versions provide for through-the-door and through-the-side operation flexibility and enhanced safety with:
 - Right or left front operation
 - Right or left side operation
- Optional selector and pistol handles, and shafts available for use with rotary operated versions
- Multi-wire lug kits with terminal shrouds allow for power distribution to multiple loads. Each lug has three (30, 60, and 100 A switches) or six (100 A switches) ports rated for single and dual wires (see lug kits in accessories for details).

* Switch amp rating and installed fuse amp rating dependent, see catalog number table for details.

Rotary operating versions



Left front

Uses clockwise handles



Right front

Uses clockwise handles



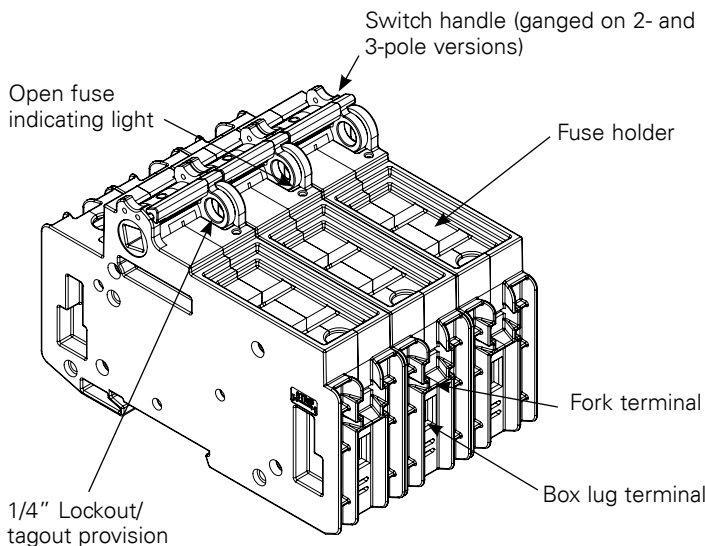
Left side

Uses counterclockwise handles



Right side

Uses clockwise handles



30, 60 and 100 A switch catalog numbers

| Catalog no. | Poles | Description/switch operation | Volts | SCCR | Max Hp rating (Vac) | | | |
|-------------------------|-------|------------------------------------|-------------------|-----------|---------------------|-------|-----|-----|
| | | | | | 120 | 240 | 480 | 600 |
| 30 amp switches | | | | | | | | |
| CCP2-1-30CF | 1 | | 347 Vac/125 Vdc | | 1-1/2 | — | — | — |
| CCP2-2-30CF | 2 | Switch only | 600 Vac/125 Vdc | | — | 3 | — | — |
| CCP2-3-30CF | 3 | | 600 Vac | | — | 5 | 15 | 10 |
| CCP2R-2-30CF | 2 | Right front rotary, clockwise | 600 Vac/125 Vdc | 200 kA AC | — | 3 | — | — |
| CCP2R-3-30CF | 3 | | 600 Vac | | — | 5 | 15 | 10 |
| CCP2RL-2-30CF | 2 | Left front rotary, clockwise | 600 Vac/125 Vdc | 100 kA DC | — | 3 | — | — |
| CCP2RL-3-30CF | 3 | | 600 Vac | | — | 5 | 15 | 10 |
| CCP2S-2-30CF | 2 | Right side rotary, clockwise | 600 Vac/125 Vdc | | — | 3 | — | — |
| CCP2S-3-30CF | 3 | | 600 Vac | — | 5 | 15 | 10 | |
| CCP2SL-2-30CF | 2 | Left side rotary, counterclockwise | 600 Vac/125 Vdc | | — | 3 | — | — |
| CCP2SL-3-30CF | 3 | | 600 Vac | — | 5 | 15 | 10 | |
| 60 amp switches | | | | | | | | |
| CCP2-1-60CF | 1 | | 347 Vac/125 Vdc* | | 3 | — | — | — |
| CCP2-2-60CF | 2 | Switch only | 600 Vac/125 Vdc* | | — | 7-1/2 | — | — |
| CCP2-3-60CF | 3 | | 600 Vac | | — | 7-1/2 | 20 | 10 |
| CCP2R-2-60CF | 2 | Right front rotary, clockwise | 600 Vac/125 Vdc* | 200 kA AC | — | 7-1/2 | — | — |
| CCP2R-3-60CF | 3 | | 600 Vac | | — | 7-1/2 | 20 | 10 |
| CCP2RL-2-60CF | 2 | Left front rotary, clockwise | 600 Vac/125 Vdc* | 100 kA DC | — | 7-1/2 | — | — |
| CCP2RL-3-60CF | 3 | | 600 Vac | | — | 7-1/2 | 20 | 10 |
| CCP2S-2-60CF | 2 | Right side rotary, clockwise | 600 Vac/125 Vdc* | | — | 7-1/2 | — | — |
| CCP2S-3-60CF | 3 | | 600 Vac | — | 7-1/2 | 20 | 10 | |
| CCP2SL-2-60CF | 2 | Left side rotary, counterclockwise | 600 Vac/125 Vdc* | | — | 7-1/2 | — | — |
| CCP2SL-3-60CF | 3 | | 600 Vac | — | 7-1/2 | 20 | 10 | |
| 100 amp switches | | | | | | | | |
| CCP2-1-100CF | 1 | | 347 Vac/125 Vdc** | | 5 | — | — | — |
| CCP2-2-100CF | 2 | Switch only | 600 Vac/125 Vdc** | | — | 10 | — | — |
| CCP2-3-100CF | 3 | | 600 Vac | | — | 20 | 50 | 40 |
| CCP2R-2-100CF | 2 | Right front rotary, clockwise | 600 Vac/125 Vdc** | 200 kA AC | — | 10 | — | — |
| CCP2R-3-100CF | 3 | | 600 Vac | | — | 20 | 50 | 40 |
| CCP2RL-2-100CF | 2 | Left front rotary, clockwise | 600 Vac/125 Vdc** | 100 kA DC | — | 10 | — | — |
| CCP2RL-3-100CF | 3 | | 600 Vac | | — | 20 | 50 | 40 |
| CCP2S-2-100CF | 2 | Right side rotary, clockwise | 600 Vac/125 Vdc** | | — | 10 | — | — |
| CCP2S-3-100CF | 3 | | 600 Vac | — | 20 | 50 | 40 | |
| CCP2SL-2-100CF | 2 | Left side rotary, counterclockwise | 600 Vac/125 Vdc** | | — | 10 | — | — |
| CCP2SL-3-100CF | 3 | | 600 Vac | — | 20 | 50 | 40 | |

* 125 Vdc for installed fuse amp ratings up to 40 A, 24 Vdc for installed fuse amp ratings from 45 to 60 A.
** 125 Vdc for installed fuse amp ratings up to 80 A, 24 Vdc for installed fuse amp ratings from 90 to 100 A.

100 A and below Flange operators (not compatible with units with mechanisms already installed)
CCP2-FLC1-xxx Flange cable operator (36, 36X, 60, 60X, 120 and 120X)
CCP2-FLR1-xxx Flange rod operator (21 and 21X)

Box lug terminal conductor data

| Wire type | AWG range | Class | Quantity | Torque N·m (lb-in) | | |
|-----------------------------|---------------------|-------------------------------|---------------------------------|---------------------------------|-------------|-----------|
| 30 and 60 A switches | | | | | | |
| 75°C Cu | 4-6 | Stranded, Class B to K | Single | 3.95 (35) | | |
| | 8-18 | | | 2.26 (20) | | |
| | 6-8 | Stranded, Class B/C | Dual | 3.39 (30) | | |
| | | | | Stranded, Class K | 2.26 (20) | |
| | 10-18 | Stranded, Class B to K | Single/dual | | 2.26 (20) | |
| | 10-18 | | | Solid | 2.26 (20) | |
| | 75°C Cu | 4-18 | Stranded, UL ferrule, Class B/C | Single | 3.39 (30) | |
| | | 6-18 | | Twin† | | |
| 4-18 | | Stranded, UL ferrule, Class K | Single | 2.82 (25) | | |
| 6-18 | | | Twin† | | | |
| 100 A switches | | | | | | |
| 75°C Cu | 12-18 | Stranded, Class B/C | Single | 2.26 (20) | | |
| | 10 | | | 2.82 (25) | | |
| | 8 | | | 4.52 (40) | | |
| | 4-6 | | | 5.08 (45) | | |
| | 1-3 | | | 6.21 (55) | | |
| | 4-12 | | | Dual | 5.08 (45) | |
| | 12-18 | | | 2.26 (20) | | |
| | 10 | | | 3.95 (35) | | |
| | 1-8 | | | Stranded, UL ferrule, Class B/C | 4.52 (40) | |
| | 10-18 | | | | Twin† | 2.26 (20) |
| | 6-9 | | | 2.82 (25) | | |
| | 10-18 | | | Solid | Single/Dual | 2.26 (20) |
| | 8-18 | | | 2.26 (20) | | |
| | 1-7 | | | Class K | Single | 3.39 (30) |
| 3-10 | Dual | 5.08 (45) | | | | |
| 8-18 | 2.26 (20) | | | | | |
| 1-7 | Class K, UL ferrule | Single | 3.39 (30) | | | |
| 6-18 | | Twin | 2.26 (20) | | | |

† Two stranded conductors placed in one UL Listed twin ferrule.

Lineside and loadside fork terminal

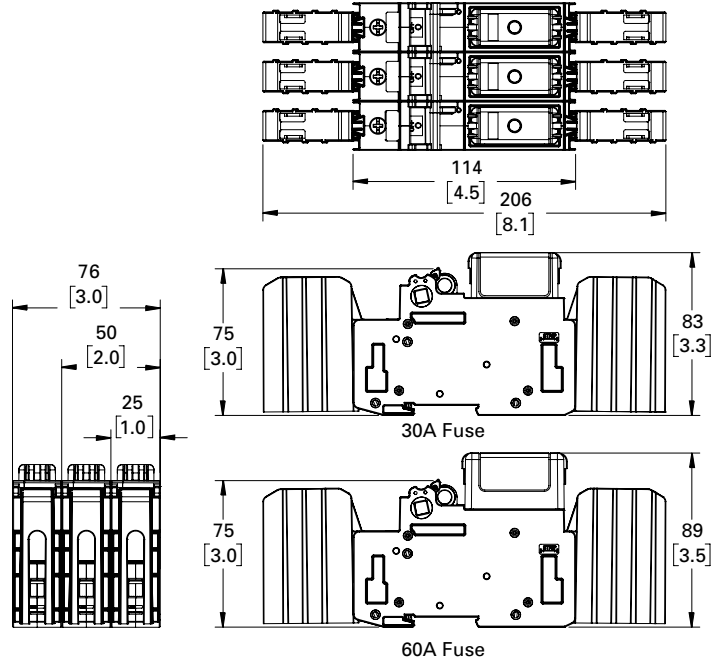
- Fork terminal suitable for line, load or accessory connection, max. 30 A suitable for use with:
 - 10-24 screw for 30 and 60 A switches

Available Bussmann series fuses

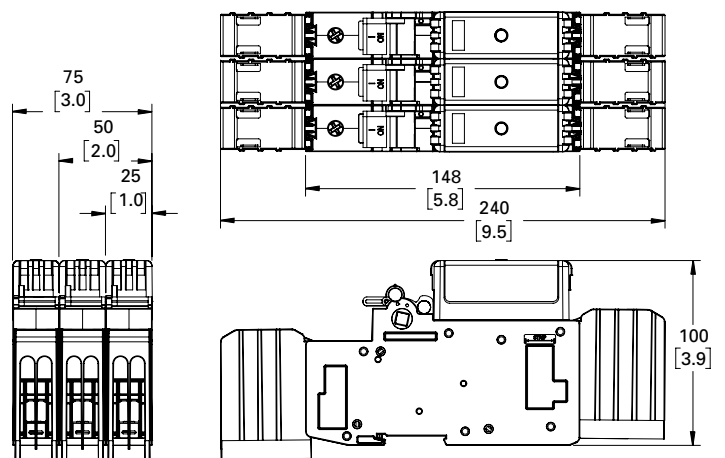
| UL fuse class | Type/description | Volts | Data sheet no. |
|---------------|--|---------------------|----------------|
| CF | Indicating time-delay, Low-Peak™ CUBEFuse (6-100 A) | 600 Vac/ 300 Vdc | 9000 |
| | Non-indicating time-delay, Low-Peak CUBEFuse (1-100 A) | | |
| | Non-indicating fast-acting CUBEFuse (1-100 A) | 600 Vac/dc | 2147 |

Dimensions – mm (in)

Switch (shown with optional terminal shrouds)

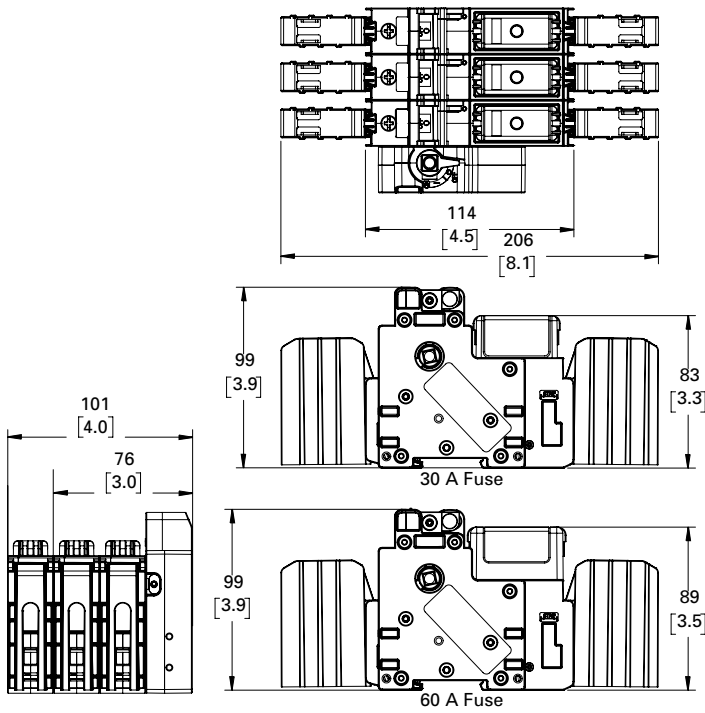


30 and 60 amp switches

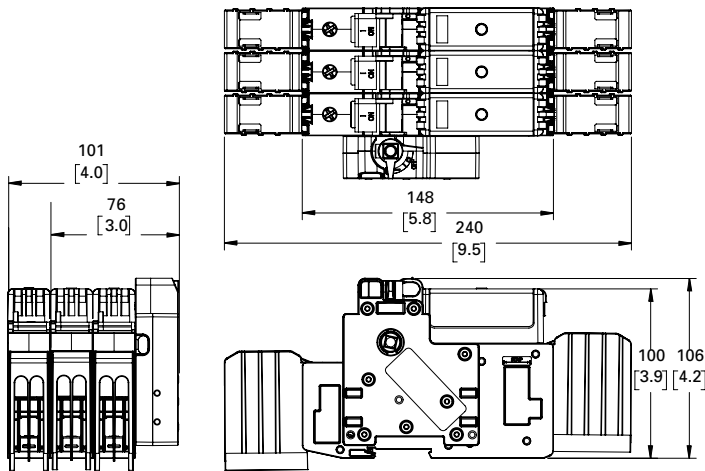


100 amp switches

Left front rotary switches (shown with optional terminal shrouds)

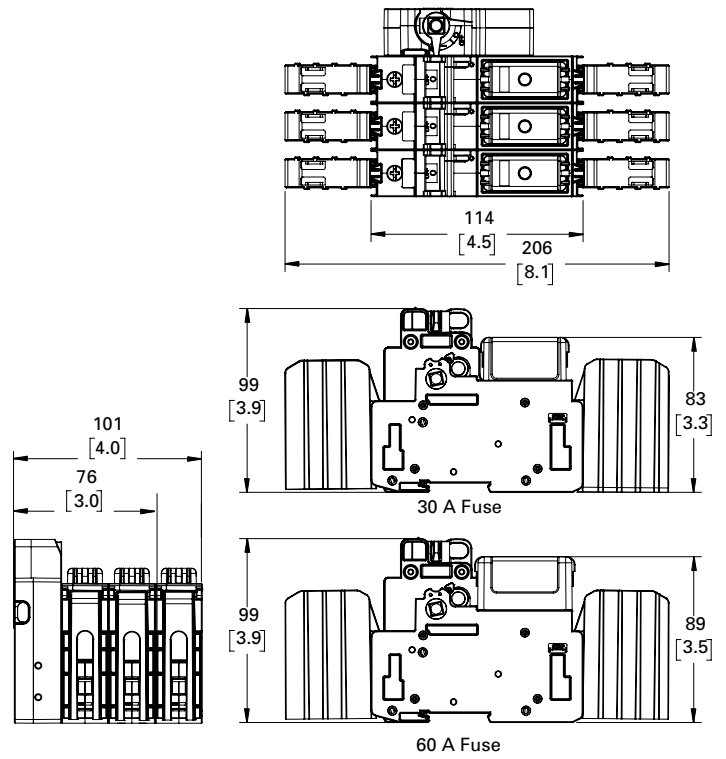


30 and 60 amp switches

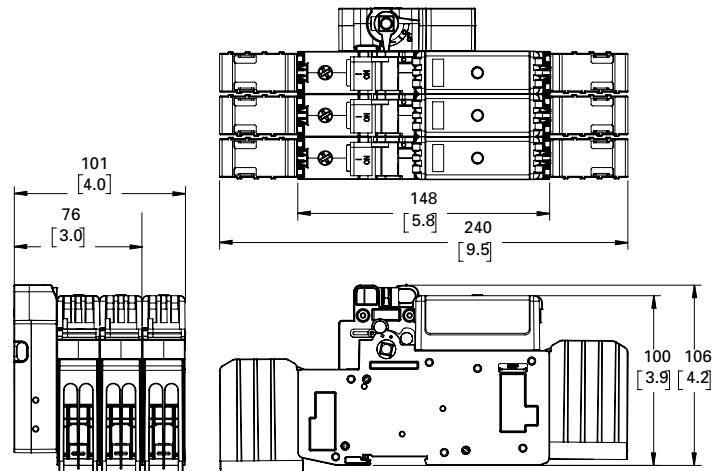


100 amp switches

Right front rotary switches (shown with optional terminal shrouds)

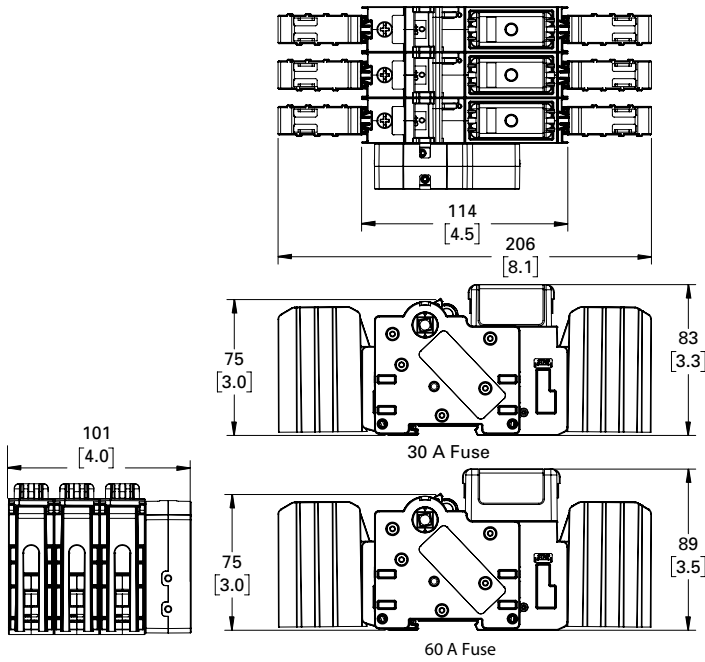


30 and 60 amp switches

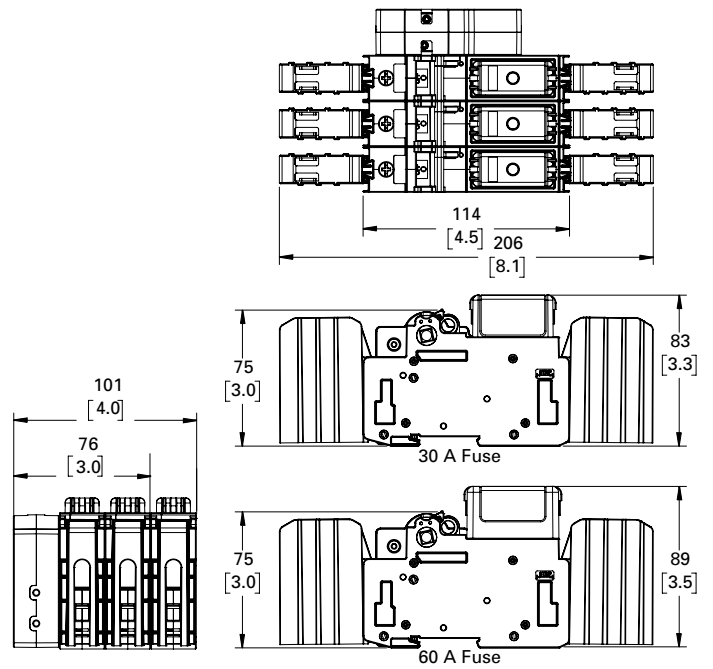


100 amp switches

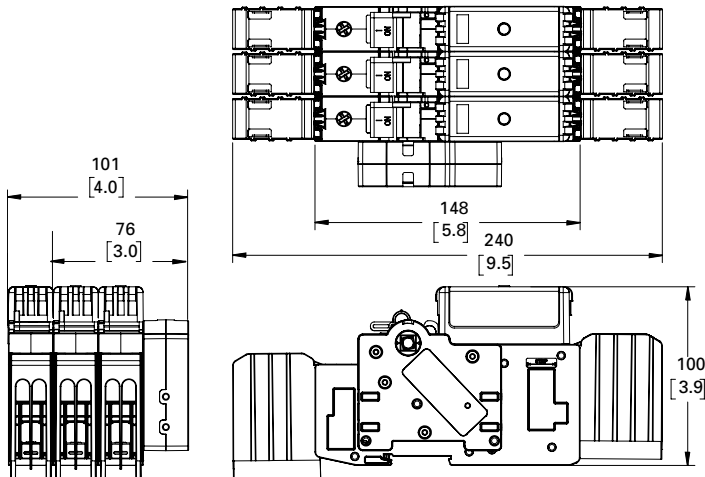
Left side rotary switches (shown with optional terminal shrouds)



Right side rotary switches (shown with optional terminal shrouds)

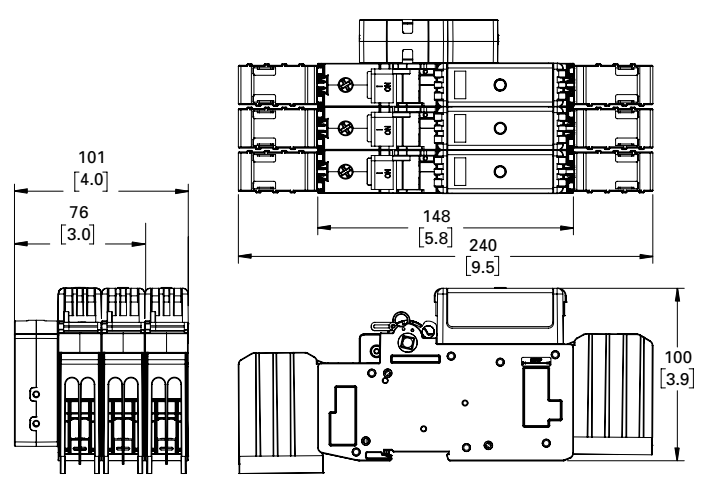


30 and 60 amp switches



100 amp switches

30 and 60 amp switches



100 amp switches

200 and 400 A switches



200 A switch



400 A switch



With front rotary accessory



With side rotary accessory

| Catalog no. | Poles | Amps | Description |
|--------------|-------|------|-------------|
| CCP2-1-200CF | 1 | | Switch only |
| CCP2-2-200CF | 2 | 200 | |
| CCP2-3-200CF | 3 | | |
| CCP2-1-400CF | 1 | | Switch only |
| CCP2-2-400CF | 2 | 400 | |
| CCP2-3-400CF | 3 | | |

Description

The Bussmann series 200 and 400 A Compact Circuit Protector (CCP2) fused disconnect switches utilize the finger-safe UL Class CF time-delay CUBEFuse with Class J electrical performance. With up to a 69 percent smaller footprint than a traditional fusible solution, these switches provide a high 200 kA SCCR to help improve panel and assembly SCCR.

The panel mount 200 and 400 A CCP2 switches are available with a variety of accessories to meet many application needs including rotary and flange handle operation.

Rotary operators are available for front or side (right or left) operation. Front rotary operators are for three-pole switches only while the side operator may be applied to the right or left side of 1-, 2- and 3-pole units.

Other accessories include lugs, terminal shrouds, rotary pistol handles, flange rod and cable operating mechanisms, NO/NC auxiliary contacts that easily integrate into various monitoring systems and a handle extension.

Front and side rotary operated versions are easily applied for through-the-door or through the left or right side operation to enhance safety.

Ratings

- Volts
 - 347 Vac (1-pole) 600 Vac (2- and 3-pole)
- Amps
 - 200 A
 - 400 A
- SCCR
 - 200 kA RMS Sym.

Poles

- 1-, 2- and 3-poles catalog number dependent

Agency information

- UL 98 Listed, Guide WHTY, File E302370
- cULus to Canadian Standard 22.2 No. 4-04, Guide WHTY7, File E302370
- CSA Certified, C22.2 No. 4, Class 4651-02, File 150484
- RoHS compliant
- CE

Conductors/terminals

- See available lug table for size, type and torque information

Storage and operating temperature

- -20°C to 75°C (-4°F to 167°F)*

* For fuse performance under or above 25°C, consult fuse performance derating charts in the Bussmann Division publication no. 3002, titled Selecting Protective Devices (SPD)

Lockout/tagout provisions using 1/4" lock

- Integral with switch handle
- Front rotary operating mechanism
- Rotary pistol handles
- Flange rod and cable operators

Minimum enclosure size

- 200 A switch 16 x 12 x 6" (405 x 305 x 150 mm)
- 400 A switch 24 x 16 x 8 (610 x 405 x 200 mm)

Mounting

- Panel mount

Local open fuse indication minimum voltage

- 90 Vac, requires an open fuse to be in the CCP2 and the switch in the ON position

Accessories

- Lugs and lug kits with terminal shrouds
- Pistol handles for use with rotary operated switches
- NFPA 79 compliant handle
- 12 mm shafts for use with selector and pistol handles
- Auxiliary contacts
- Flange handle rod and cable operators

Carton quantity

| Item | Poles | Qty. |
|-------------------------|-------|------|
| 200 amp switches | 1 | 1 |
| | 2 | 1 |
| | 3 | 1 |
| 400 amp switches | 1 | 1 |
| | 2 | 1 |
| | 3 | 1 |

Features

- Uses UL Class CF time-delay CUBEFuse with Class J electrical performance
- Amp rating rejection feature will not accept a CUBEFuse amp ratings greater than switch rating
- High 200 kA short-circuit current rating
- Disconnect rated to provide means for load isolation
- Full voltage rated at 600 Vac
- UL 98 Listed and suitable for branch circuit disconnect and branch circuit protection with installed fuses
- Horsepower rated (see table below)

- Standard local open fuse indication light on each pole speeds troubleshooting
- Built-in switch interlock prevents inserting or removing fuse while in the ON position
- Padlockable for lockout/tagout procedures with a 1/4" lock
- Front and side rotary operator accessories provide for through-the-door and through-the-side operation flexibility and enhanced safety
- Optional pistol handles and shafts available for use with rotary operator accessories
- Multi-wire lug kits with terminal shrouds allow for power distribution to multiple loads.

Catalog numbers and horsepower ratings

| Catalog no. | Poles | Description | Volts AC | SCCR | Max Hp rating (Vac) | | |
|-------------------------|-------|-------------|----------|--------|---------------------|-----|-----|
| | | | | | 240 | 480 | 600 |
| 200 amp switches | | | | | | | |
| CCP2-1-200CF | 1 | Switch only | 347 | 200 kA | — | — | — |
| CCP2-2-200CF | 2 | | 600 | | 15 | — | — |
| CCP2-3-200CF | 3 | | 50 | | 100 | 150 | |
| 400 amp switches | | | | | | | |
| CCP2-1-400CF | 1 | Switch only | 347 | 200 kA | — | — | — |
| CCP2-2-400CF | 2 | | 600 | | 15 | — | — |
| CCP2-3-400CF | 3 | | 100 | | 200 | 350 | |

Available lugs, conductor ratings and terminal torques

| Catalog no. | Description | Lugs per cat. no. | Wire range AWG (mm ²) | Wire type/ temp. | Conductor torque N·m (lb-in) | Lug mounting screw torque N·m (lb-in) |
|---|---|-------------------|-----------------------------------|------------------|------------------------------|---------------------------------------|
| 200 A switches | | | | | | |
| CCP2-L2-1 | Stainless steel lug | 1 | 350-4 (185-25) | Cu 75°C | 20.3 (180) | 13.5 (120) |
| CCP2-L2-1A | Aluminum lug* | 1 | 350-4 (185-25) | Cu/Al 75°C | 28.2 (250) | 13.5 (120) |
| CCP2-MW2-3 | 3-port multi-wire terminal with shroud* | 3 | 2-14 (35-2.5) | Cu/Al 75°C | 7.9 (70) | 10.8 (95) |
| CCP2-MW2-6 | 6-port multi-wire terminal with shroud* | 3 | 6-14 (16-2.5) | Cu/Al 75°C | 2.8 (25) | 10.8 (95) |
| * These lugs also accept 1/4" quick connect control wire terminals. Order catalog number CCP2-CWK2 (package of 12 terminals). | | | | | | |
| 400 A Switches | | | | | | |
| CCP2-L4-1 | Stainless steel lug | 1 | 500-3 (240-35) | Cu 75°C | 42.0 (375) | |
| CCP2-L4-1A | Aluminum lug | 1 | 500-3 (240-35) | Cu/Al 75°C | 42.0 (375) | |
| CCP2-L4B-3 | Stainless steel lug kit with shroud | 3 | 750-500 (400-240) | Cu 75°C | 57.0 (500) | |
| CCP2-L4B-3A | Aluminum lug kit with shroud | 3 | 750-500 (400-240) | Cu/Al 75°C | 62.0 (550) | |
| CCP2-L6-3 | 2-port stainless steel lug kit with shroud | 3 | (2) 500-2 (240-35) | Cu 75°C | 42.0 (375) | |
| CCP2-L6-3A | 2-port aluminum lug kit with shroud | 3 | (2) 500-2 (240-25) | Cu/Al 75°C | 42.0 (375) | |
| CCP2-L6-3CW | 2-port stainless steel lug kit with shroud with control tab | 3 | (2) 500-2 (240-35) | Cu 75°C | 42.0 (375) | 22.0 (200) |
| CCP2-L6-3ACW | 2-port aluminum lug kit with shroud with control tab | 3 | (2) 500-2 (240-25) | Cu/Al 75°C | 42.0 (375) | |
| | | | | | 10-14 = 3.9 (35) | |
| | | | | | 8 = 4.5 (40) | |
| CCP2-MW6-6 | 6-port multi-wire terminal with shroud | 3 | 1/0-14 (50-2.5) | Cu/Al 75°C | 4-6 = 5.0 (45) | |
| | | | | | 1/0-2 = 5.6 (50) | |

Carton quantity

| Catalog no. | Description | Qty. |
|--------------|---|------|
| CCP2-L2-1 | Stainless steel lug | 1 |
| CCP2-L2-1A | Aluminum lug | 1 |
| CCP2-MW2-3 | 3-port multi-wire terminal with shroud | 3 |
| CCP2-MW2-6 | 6-port multi-wire terminal with shroud | 3 |
| CCP2-CWK2 | 1/4" quick connect control wire terminals | 12 |
| CCP2-L4-1 | Stainless steel lug | 1 |
| CCP2-L4-1A | Aluminum lug | 1 |
| CCP2-L4B-3 | Stainless steel lug kit with shroud | 3 |
| CCP2-L4B-3A | Aluminum lug kit with shroud | 3 |
| CCP2-L6-3 | 2-port stainless steel lug kit with shroud | 3 |
| CCP2-L6-3A | 2-port aluminum lug kit with shroud | 3 |
| CCP2-MW6-6 | 6-port multi-wire terminal with shroud | 3 |
| CCP2-L6-3CW | 2-port stainless steel lug kit with shroud with control tab | 3 |
| CCP2-L6-3ACW | 2-port aluminum lug kit with shroud with control tab | 3 |

Eaton.com/bussmannseries

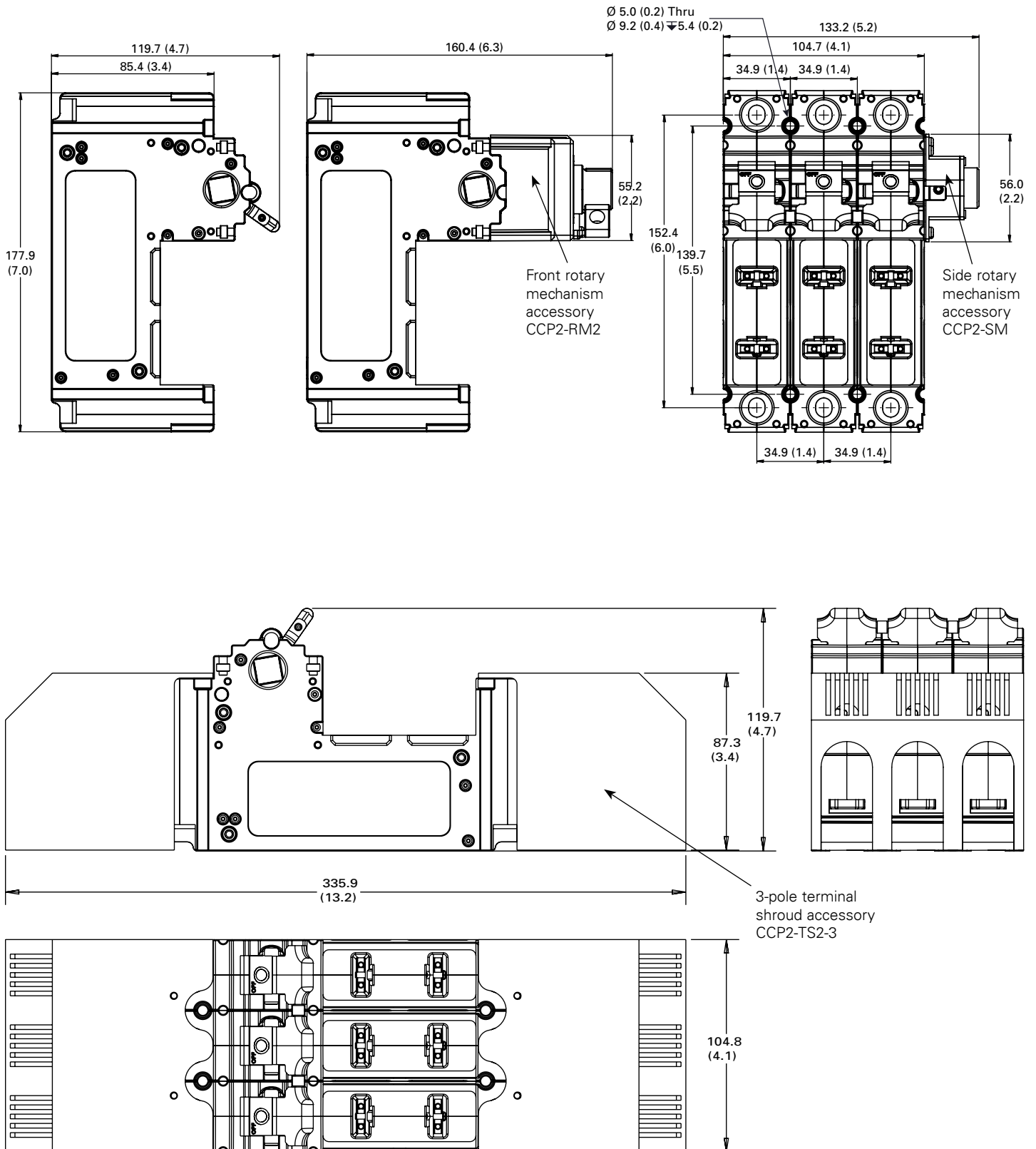
Accessories

| Catalog no. | Switch amps | Description |
|-------------|-------------|---|
| CCP2-TS2-3 | | 3-pole terminal shroud |
| CCP2-PB2 | 200 | Phase barriers (pack of 2) |
| CCP2-RM2 | | Front rotary operator* (3-pole switch only) |
| CCP2-TS6-3 | | 3-pole terminal shroud |
| CCP2-PB6 | 400 | Phase barriers (pack of 2) |
| CCP2-RM4 | | Front rotary operator* (3-pole switch only) |
| CCP2-SM | 200/400 | Side rotary operator* (1-, 2- or 3-pole switches) |
| CCP2-SP4 | 400 | Installation spacers |

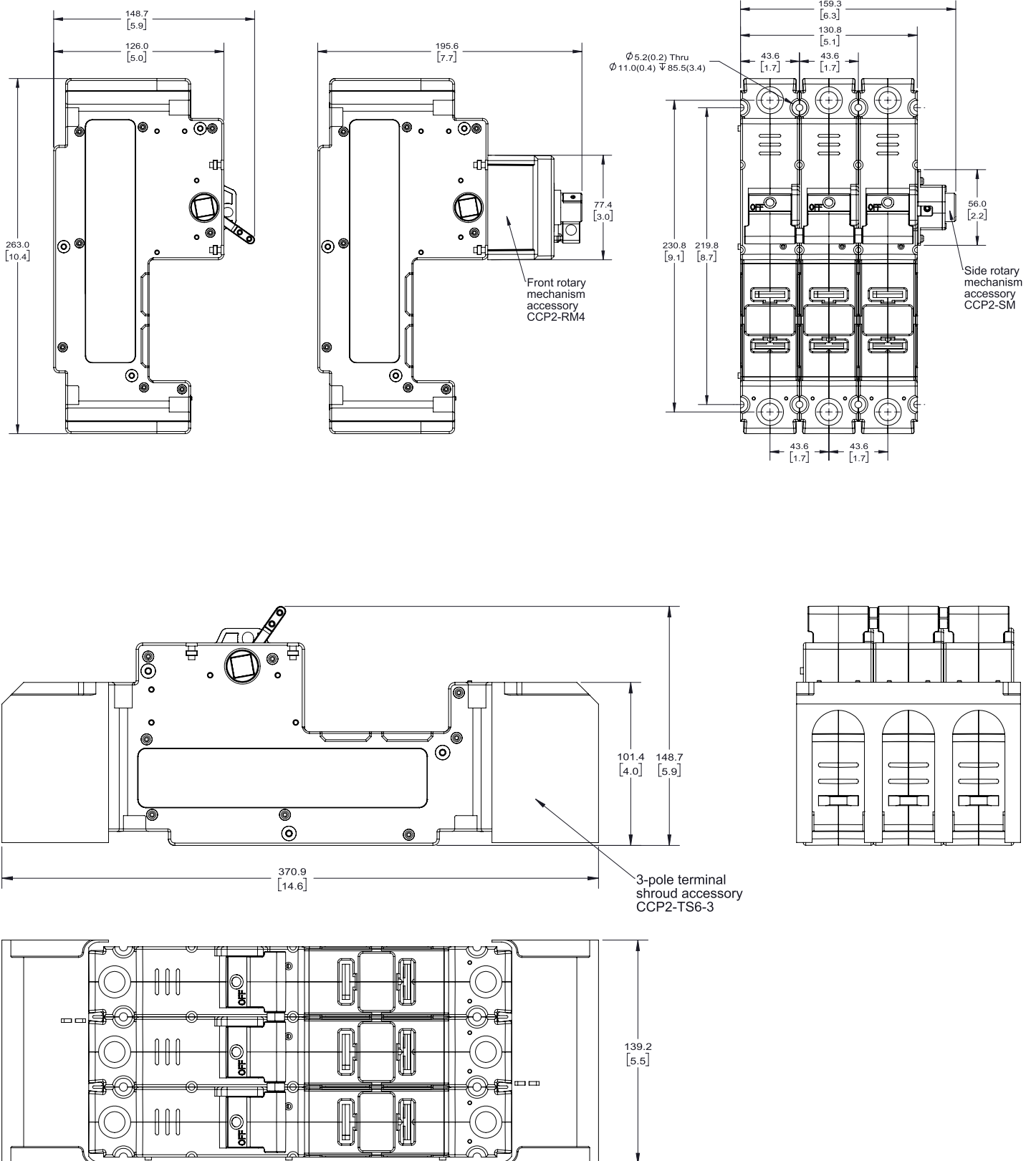
* Complete installation requires pistol handle and shaft, order separately.

CCP2-FLC2-xxx 200/400 Flange cable operator (36, 36X, 60, 60X, 120 and 120X)
CCP2-FLR2-xxx 200/400 Flange rod operator (21 and 21X)

200 amp switch dimensions — mm (in)



400 amp switch dimensions – mm (in)



30, 60 and 100 A switch multi-wire lug kits

Catalog numbers

- CCP2-MW1-3 (30 and 60 A switches only)
- CCP2-MW1-6 (100 A switches only)
- CCP2-MW1-3C (100A switches only)

Description

The multi-wire lug kits permit expanding each box lug terminal on the switch into a three-port (30 and 60 A switches) or six-port (100 A switches) terminal for power distribution applications.

Each multi-wire lug kit comes with three lugs and three terminal shrouds. Shrouds provide finger-safe protection when properly installed.

Lugs may be mounted on either the loadside or lineside to meet various application needs.

Ports on any one lug accept any conductor combination listed, e.g., one of the ports may have dual 14 AWG wires and the other two ports single 10 AWG wires.

Ratings

- Volts 600 V
- Amps
 - 60 A max (CCP2-MW1-3)
 - 100 A max (CCP2-MW1-6)
- SCCR 200 kA

Agency information

- UL Recognized, Guide WHTY2, File E302370
- RoHS compliant

Storage and operating temperature

- -20°C to 75°C (-4°F to 167°F)

Multi-wire lug conductor information

- 75°C Cu/Al
- AWG size and quantity per port - see table below

| Type | AWG range | Class | Quantity | Torque N•m (lb-in) |
|-------|-----------|--------------------------|--------------|--------------------|
| Cu/Al | 4-6 | Stranded, Class B/C | Single | 3.95 (35) |
| | 8 | | | 2.82 (25) |
| | 10-14 | | | 2.26 (20) |
| Cu | 10-14 | Solid | Single | 2.26 (20) |
| | 8 | | | 2.82 (25) |
| | 10-14 | UL ferrule, Class B to K | Single/twin† | 2.26 (20) |

* Dual wire to be same size and type.

† Two stranded conductors placed in one UL Listed twin ferrule.

| ROW 2 Wire ranges 1-14 AWG | | | | |
|----------------------------|-----------|---------------------|-------------|--------------------|
| Type | AWG range | Class | Single/dual | Torque N•m (lb-in) |
| Cu | 1-3 | Class G-K* | 1 | 6.21 (55) |
| Cu/Al | 1-3 | Stranded, Class B/C | 1 | |
| Cu | 4-6 | Stranded, Class B/C | 2 | 5.6 (50) |
| Cu | 4-6 | Class G-K* | 1 | |
| Cu/Al | 4-6 | Stranded, Class B/C | 1 | |
| Cu | 8 | Stranded, Class B/C | 2 | 5.08 (45) |
| Cu | 8 | Class G-K* | 1 | |
| Al | 8 | Stranded, Class B/C | 1 | 4.51 (40) |
| Cu | 10-14 | Stranded, Class B/C | 2 | |
| Cu | 10-14 | Stranded, Class B/C | 1 | 3.95 (35) |
| Al | 10-12 | Stranded, Class B/C | 1 | |

* Class G-K is FLEX fine stranded Class G, H, I, DLO, K (MTW) and mm² Class 5.

Multi-wire lug conductor information (continued)

75°C Cu/Al solid or stranded wire as detailed below.

| ROW 1 Wire ranges 4-14 AWG | | | | |
|----------------------------|-----------|--------------------------|--------------|--------------------|
| Type | AWG range | Class | Quantity | Torque N•m (lb-in) |
| Cu/Al | 4-6 | Stranded, Class B/C | Single | 3.95 (35) |
| | 8 | | | 2.82 (25) |
| | 10-14 | | | 3.39 (30) |
| Cu | 10-14 | Solid | Single/dual* | 2.26 (20) |
| | 10-14 | | | 2.26 (20) |
| | 8 | UL ferrule, Class B to K | Single | 2.82 (25) |
| | 10-14 | | | 2.26 (20) |

* Dual wire to be same size and type.

† Two stranded conductors placed in one UL Listed twin ferrule.

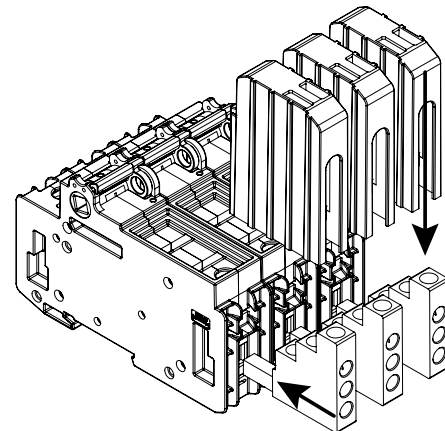
CCP2 box lug torque for multi-wire lugs

- 30/60 A switch lug, 4.52 N•m (40 lb-in)
- 100 A switch lug, 5.09 N•m (45 lb-in)

Carton quantity

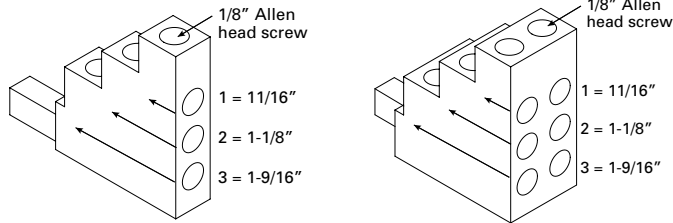
| Catalog no. | Application | Qty. |
|-------------|---------------------------|----------------------|
| CCP2-MW1-3 | For 30/60 A switches only | 3 lugs and 3 shrouds |
| CCP2-MW1-6 | For 100 A switches only | |
| CCP2-MW1-3C | For 100 A switches only | |

Installed on CCP2-3-xx



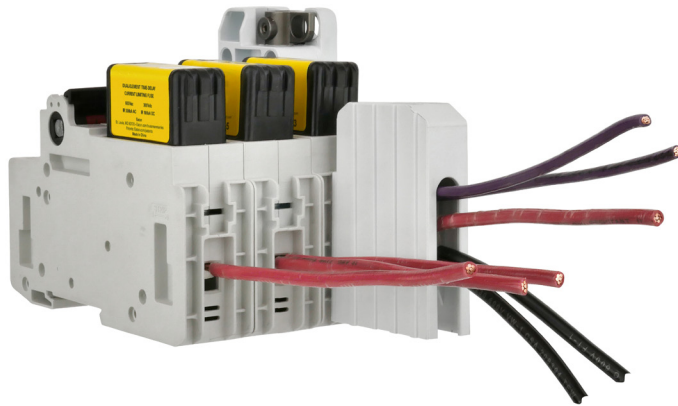
Multi-wire lugs mount in switch box lug terminals to provide three additional wire ports per pole. Lugs can be mounted on the switch lineside or loadside. Each multi-wire lug kit comes with three lugs and three shrouds.

Wire insulation strip lengths



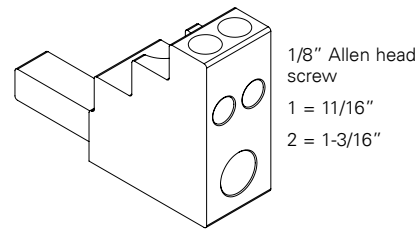
Strip back wire insulation to the lengths as indicated in the illustration above and the table below.

| Lug port | Strip wire insulation back (inch) |
|----------|-----------------------------------|
| 1 | 11/16 |
| 2 | 1-1/8 |
| 3 | 1-9/16 |



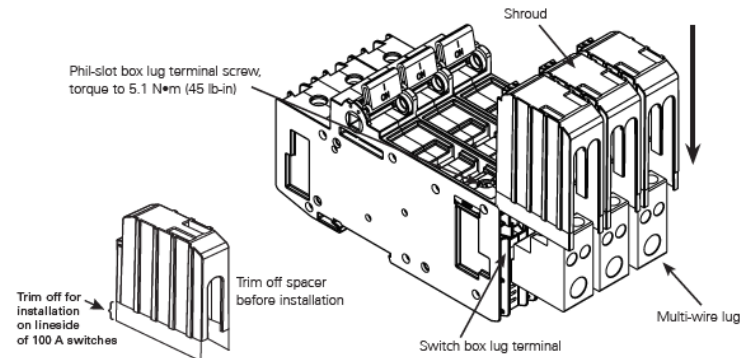
Wiring versatility is provided by single/dual rated box lug terminals on the switch, or by the three-port or six-port multi-wire lug kits that are also single/dual wire rated.

Wire insulation strip lengths



Strip back wire insulation to the lengths as indicated in the illustration above and the table below.

| Lug port | Strip wire insulation back (inch) |
|----------|-----------------------------------|
| 1 | 11/16 |
| 2 | 1-3/16 |



200 and 400 A switch multi-wire lug kits

Catalog numbers

- CCP2-MW2-3 (3-port, 200 A switches only)
- CCP2-MW2-6 (6-port, 200 A switches only)
- CCP2-MW6-6 (6-port, 400 A switches only)

Description

The multi-wire lug kits permit expanding the terminal on the switch into a three-port (200 A switches) or six-port (200 and 400 A switches) terminal for power distribution applications.

Each multi-wire lug kit comes with three lugs and a 3-pole terminal shroud. The shroud provides finger-safe protection when properly installed.

Lugs can only be mounted on loadside to meet application needs.

Ports on any one lug accept any conductor combination listed, e.g., one of the ports may have dual 14 AWG wires and the other two ports single 10 AWG wires.

Ratings

- Volts 600 V
- Amps
 - 225 A max (CCP2-MW2-3 and CCP2-MW2-6)
 - 600 A max (CCP2-MW6-6)
- SCCR 200 kA

Agency information

- UL Recognized, Guide WHTY2, File E302370
- RoHS compliant

Storage and operating temperature

- -20°C to 75°C (-4°F to 167°F)

Multi-wire lug conductor information

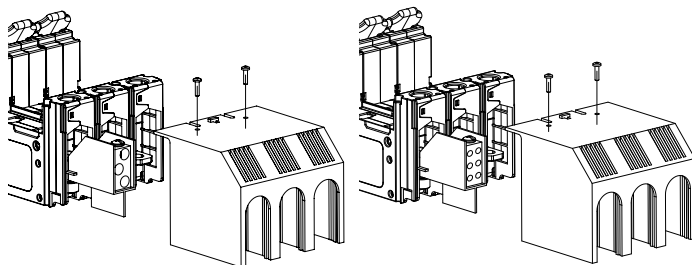
- 75°C Cu/AL
- AWG size and quantity per port - see table below

| Catalog no. | Description | Lugs per cat. no. | Wire range AWG (mm ²) | Wire type/ temp. | Conductor torque N·m (lb·in) | Lug mounting screw torque N·m (lb·in) |
|-----------------------|--|-------------------|-----------------------------------|------------------|--|---------------------------------------|
| 200 A switches | | | | | | |
| CCP2-MW2-3 | 3-port multi-wire terminal with shroud | 3 | 2-14 (35-2.5) | Cu/Al 75°C | 7.9 (70) | 10.8 (95) |
| CCP2-MW2-6 | 6-port multi-wire terminal with shroud | 3 | 6-14 (16-2.5) | Cu/Al 75°C | 2.8 (25) | 10.8 (95) |
| 400 A Switches | | | | | | |
| CCP2-MW6-6 | 6-port multi-wire terminal with shroud | 3 | 1/0-14 (50-2.5) | Cu/Al 75°C | 10-14 = 3.9 (35) 8 = 4.5 (40) 4-6 = 5.0 (45) 1/0-2 = 5.6 (50) | 22.0 (200) |

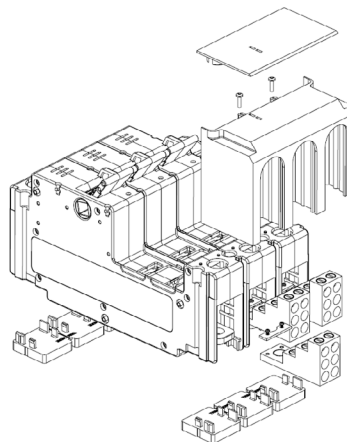
Carton quantity

| Catalog no. | Application | Qty. |
|-------------|-------------------------|----------------------------|
| CCP2-MW2-3 | For 200 A switches only | 3 lugs and 1 3-pole shroud |
| CCP2-MW2-6 | | |
| CCP2-MW6-6 | For 400 A switches only | |

Installed on CCP2-3-xx



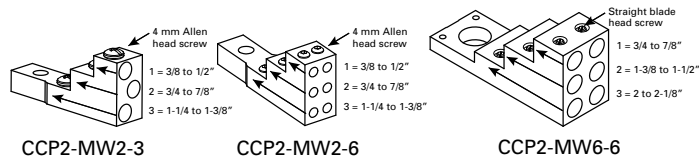
3- and 6-port multi-wire lugs mounted on 200 A switches



6-port multi-wire lugs mounted on 400 A switches

Multi-wire lugs mount on the switch terminals to provide three or six additional wire ports per pole. Lugs to be mounted only on the loadside. Each multi-wire lug kit comes with three lugs, a shroud and mounting hardware.

Wire insulation strip lengths



| Lug kit | Wire insulation strip length (inch) | | |
|------------|-------------------------------------|----------------|----------------|
| | Lug port 1 | Lug port 2 | Lug port 3 |
| CCP2-MW2-3 | 3/8 to 1/2 | 3/4 to 7/8 | 1-1/4 to 1-3/8 |
| CCP2-MW2-6 | | | |
| CCP2-MW6-6 | 3/4 to 7/8 | 1-3/8 to 1-1/2 | 2 to 2-1/8 |

Strip back wire insulation to the lengths indicated in the illustration above and the table below.

Selector and pistol handles

Catalog symbol

- CCP2-H4X-1 (selector handle for 30, 60 and 100 A switches)
- CCP2-H4X-2 (pistol handle for 30, 60 and 100 A switches)
- CCP2-H4X-3 (short pistol handle for 200 and 400 A switches)
- CCP2-H4X-4 (long pistol handle for 200 and 400 A switches)

Description

Selector and pistol handles are used with rotary operated switches. Pistol handles for 200 and 400 A switches come in short and long versions. All handles are available in black/grey and red/yellow colors, and clockwise/counterclockwise operating modes. Front and right side operated switches use clockwise handles while left side operated switches use counterclockwise handles.

Installation requires an 8 mm shaft for 30, 60 and 100 A switches and a 12 mm shaft for 200 and 400 A switches (ordered separately).

Each handle is rated Type 1, 4X and 12, and accepts up to three (3) 1/4" diameter shank locks for lockout/tagout in the OFF position. They can also be field configured for lock-on and are defeatable.

Only the clockwise operating handles in combination with front rotary operating switches provide a door interlock means to ensure the enclosure door remains shut during lockout/tagout or lock-on. Rotary handles mounted on the enclosure's left or right side do NOT provide a door interlock means.

See the catalog number table below for applicable rotary switch, handle and shaft combinations.

Handles and shafts for 30, 60 and 100 A switches

| For catalog no. | Description/operation | Order handle cat. no. | Order either 8 mm shaft cat. no. |
|---------------------|------------------------------------|-------------------------------------|----------------------------------|
| CCP2R-(pole)-30CF | Right front rotary, clockwise | CCP2-H4X-B1 (selector, black/grey) | CCP2-SH1-290 (11.5"/290 mm) |
| CCP2R-(pole)-60CF | | | |
| CCP2R-(pole)-100CF | | | |
| CCP2RL-(pole)-30CF | Left front rotary, clockwise | CCP2-H4X-R1 (selector, red/yellow) | CCP2-SH1-490 (19.3"/490 mm) |
| CCP2RL-(pole)-60CF | | | |
| CCP2RL-(pole)-100CF | | | |
| CCP2S-(pole)-30CF | Right side rotary, clockwise | CCP2-H4X-R2 (pistol, red/yellow) | CCP2-SH1-290 (11.5"/290 mm) |
| CCP2S-(pole)-60CF | | | |
| CCP2S-(pole)-100CF | | | |
| CCP2SL-(pole)-30CF | Left side rotary, counterclockwise | CCP2-H4X-B1L (selector, black/grey) | CCP2-SH1-290 (11.5"/290 mm) |
| CCP2SL-(pole)-60CF | | | |
| CCP2SL-(pole)-100CF | | | |
| | | CCP2-H4X-R1L (selector, red/yellow) | |
| | | CCP2-H4X-B2L (pistol, black/grey) | |
| | | CCP2-H4X-R2L (pistol, red/yellow) | |

Handles and shafts for 200 and 400 A switches

| For catalog no. | Order front rotary mechanism cat. no. | Order right/left side rotary mechanism cat. no. | Order front/right side clockwise handle cat. no. | Order left side counterclockwise handles (use only with CCP2-SM) cat. no. | Order either 12 mm shaft cat. no. |
|--------------------|---------------------------------------|---|--|---|-----------------------------------|
| CCP2-(poles)-200CF | CCP2-RM2* | CCP2-SM | CCP2-H4X-B3 (short - black/grey) | CCP2-H4X-B3L (short - black/grey) | CCP2-SH2-225 (8.9"/225 mm) |
| | | | CCP2-H4X-R3 (short - red/yellow) | CCP2-H4X-R3L (short - red/yellow) | |
| CCP2-(poles)-400CF | CCP2-RM4* | | CCP2-H4X-B4 (long - black/grey) | CCP2-H4X-B4L (long - black/grey) | CCP2-SH2-425 (16.7"/425 mm) |
| | | | CCP2-H4X-R4 (long - red/yellow) | CCP2-H4X-R4L (long - red/yellow) | |

* For three-pole switches only.

Selector handles

Pistol handles — short and long



Agency information

- UL Listed, Guide DIHS/DIHS7, File E140305
- Type 1, 4X and 12
- RoHS compliant
- CE

Storage and operating temperature

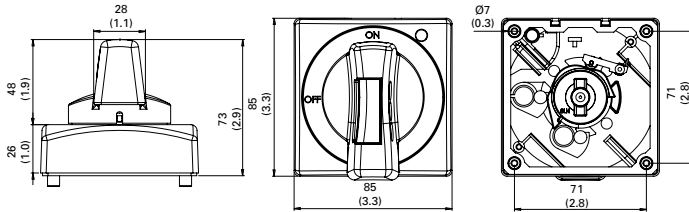
- -20°C to 75°C (-4°F to 167°F)

Carton quantity

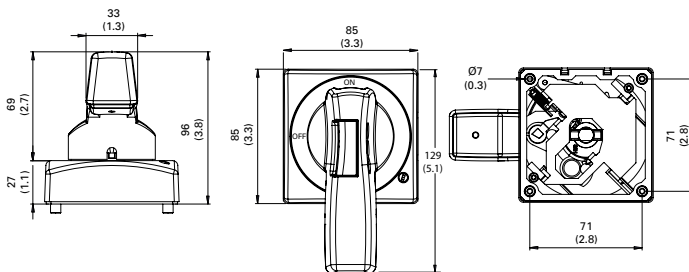
| Catalog no. | Description | Qty. |
|-------------|--------------------------------|------|
| CCP2-H4X-1 | 30/60/100 A selector handles | 1 |
| CCP2-H4X-2 | 30/60/100 A pistol handles | 1 |
| CCP2-H4X-3 | 200/400 A short pistol handles | 1 |
| CCP2-H4X-4 | 200/400 A long pistol handles | 1 |

Handle dimensions – mm (in)

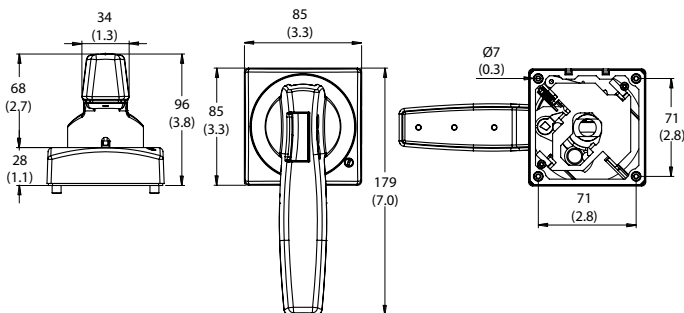
Selector for 8 mm shafts



Short pistol for 8 mm and 12 mm shafts



Long pistol for 12 mm shafts



NFPA 79 compliant handles

Catalog numbers

- CCP2-NFPA-1 (8 mm shafts for 30-100 A switches)
- CCP2-NFPA-2 (12 mm shafts for 200 and 400 A switches)

Description

NFPA 79 handles mount on the shaft of front rotary operated switch installations and provide a lockout means independent of the door position.

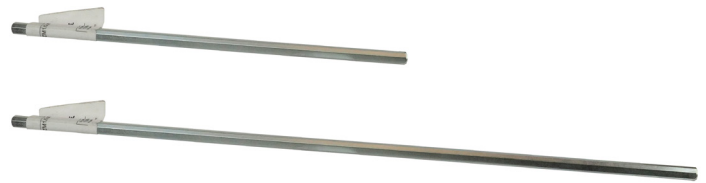
Carton quantity

| Catalog no. | Fits shaft size | Qty. |
|-------------|-----------------|------|
| CCP2-NFPA-1 | 8 mm | 1 |
| CCP2-NFPA-2 | 12 mm | 1 |



Handle shafts

8 mm shafts



12 mm shafts



Catalog numbers

- CCP2-SH1-290 (8 mm, 290 mm long)
- CCP2-SH1-490 (8 mm, 490 mm long)
- CCP2-SH2-225 (12 mm, 225 mm long)
- CCP2-SH2-425 (12 mm, 425 mm long)

Description

Square shafts available in:

- 8 mm square by 290 and 490 mm lengths for 30, 60 and 100 A switches
- 12 mm square by 225 and 425 mm lengths for 200 and 400 A switches

All shafts are indexed to ensure handle/switch orientation for correct operation. Shafts are to be cut to length when installed.

Carton quantity

| Catalog no. | Size | Length | Qty. |
|--------------|-------|--------|------|
| CCP2-SH1-290 | 8 mm | 290 mm | 1 |
| CCP2-SH1-490 | | 490 mm | 1 |
| CCP2-SH2-225 | 12 mm | 225 mm | 1 |
| CCP2-SH2-425 | | 425 mm | 1 |

Flange handle rod and cable operators

| Catalog no. | Description | Rating |
|------------------------------------|----------------------------------|----------------|
| 30, 60 and 100 amp switches | | |
| CCP2-FLR1-21 | Rod operator with painted handle | Type 1, 3R, 12 |
| CCP2-FLR1-21X | Rod operator with chrome handle | Type 4X |
| CCP2-FLC1-36 | 36" Cable with painted handle | Type 1, 3R, 12 |
| CCP2-FLC1-36X | 36" Cable with chrome handle | Type 4X |
| CCP2-FLC1-60 | 60" Cable with painted handle | 1, 3R, 12 |
| CCP2-FLC1-60X | 60" Cable with chrome handle | Type 4X |
| CCP2-FLC1-120 | 120" Cable with painted handle | Type 1, 3R, 12 |
| CCP2-FLC1-120X | 120" Cable with chrome handle | Type 4X |

| Catalog no. | Description | Rating |
|---------------------------------|----------------------------------|----------------|
| 200 and 400 amp switches | | |
| CCP2-FLR2-21 | Rod operator with painted handle | Type 1, 3R, 12 |
| CCP2-FLR2-21X | Rod operator with chrome handle | Type 4X |
| CCP2-FLC2-36 | 36" Cable with painted handle | Type 1, 3R, 12 |
| CCP2-FLC2-36X | 36" Cable with chrome handle | Type 4X |
| CCP2-FLC2-60 | 60" Cable with painted handle | 1, 3R, 12 |
| CCP2-FLC2-60X | 60" Cable with chrome handle | Type 4X |
| CCP2-FLC2-120 | 120" Cable with painted handle | Type 1, 3R, 12 |
| CCP2-FLC2-120X | 120" Cable with chrome handle | Type 4X |

Description

Flange rod and cable operators for use on 3-pole CCP2 switches. Handles are available in painted versions with Type 1, 3R and 12 ratings or chrome versions with a Type 4X rating. Cable operators are available with 36, 60 and 120 inch cable lengths.

Agency information

- Type 1, 3R, 4X and 12
- RoHS compliant

Storage and operating temperature

- -20°C to 75°C (-4°F to 167°F)

Packaging

- Each handle is packaged individually as a kit

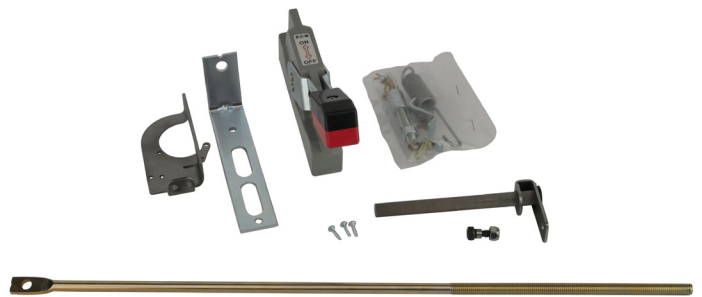
Carton quantities

| Catalog no. | Switch amps/description | Qty. |
|----------------|---------------------------------|------|
| CCP2-FLR1-21_ | 30/60/100 A rod operator | 1 |
| CCP2-FLC1-36_ | 30/60/100 A 36" cable operator | 1 |
| CCP2-FLC1-60_ | 30/60/100 A 60" cable operator | 1 |
| CCP2-FLC1-120_ | 30/60/100 A 120" cable operator | 1 |

| Catalog no. | Switch amps/description | Qty. |
|----------------|-------------------------------|------|
| CCP2-FLR2-21_ | 200/400 A rod operator | 1 |
| CCP2-FLC2-36_ | 200/400 A 36" cable operator | 1 |
| CCP2-FLC2-60_ | 200/400 A 60" cable operator | 1 |
| CCP2-FLC2-120_ | 200/400 A 120" cable operator | 1 |



Flange rod operator kit for 100 A switches.



Flange rod operator kit for 200 and 400 A switches.



Flange cable operator kit for 100 A switches.



Flange cable operator kit for 200 and 400 A switches.

Front rotary mechanisms for 200 and 400 A switches



Catalog numbers

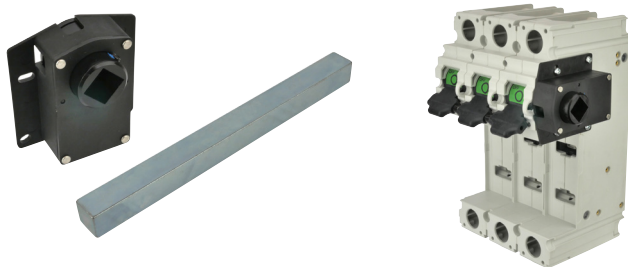
- CCP2-RM2 (3-pole 200 A switches)
- CCP2-RM4 (3-pole 400 A switches)

Description

Front rotary mechanisms for through-the-door operation and install on the front of 3-pole switches only. These units provide at-switch lockout/tagout capability for enhanced safety. Complete installation requires installing pistol handle (short or long) and 12 mm shaft.

Packaged individually.

Side rotary mechanism for 200 and 400 A switches



Catalog number

- CCP2-SM (1-, 2- or 3-pole 200 and 400 A switches)

Description

Side rotary mechanism for through-the-side operation and installs on the left or right side (right side installation recommended) of any 1-, 2- or 3-pole 200 and 400 A switch. The side rotary mechanism does not provide for door interlock nor local lockout/tagout capability. Complete installation requires installing pistol handle (short or long) and 12 mm shaft.

Packaged individually.

Terminal shrouds

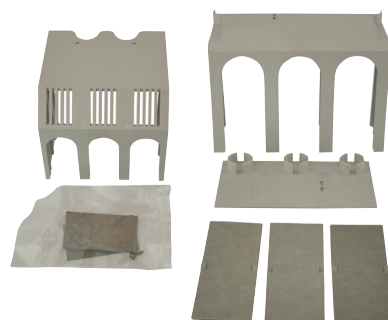
Catalog numbers

- CCP2-TS2-3 (3-pole 200 A switches)
- CCP2-TS6-3 (3-pole 400 A switches)

Description

3-pole shroud kit with shields for isolating the lugs on 3-pole 200 and 400 A switches.

Packaged individually.



Phase barriers

Catalog numbers

- CCP2-PB2 (3-pole 200 A switches)
- CCP2-PB6 (3-pole 400 A switches)

Description

Phase barrier kit with two phase barriers for isolation between the lugs on 3-pole 200 and 400 A switches.

Packaged individually.



Handle extension



Catalog number

- CCP2-HEX (1-, 2- and 3-pole 200 and 400 A switches)

Description

A handle extension to provide additional leverage for operating the switch in installations that do not have rotary mechanisms or flange operators installed. Does not mount on switch, provision for tether provided.

Packaged individually.

Spacer - 400 A Switch

Catalog numbers

- CCP2-SP4 (Adjustable for 1 and 2 poles)

Description

Spacer kit designed to ease installation. Included with all 400 A CCP2 and CCD2 orders. Only needs to be ordered separately for replacement purposes.



Auxiliary contacts for 30, 60 and 100 A switches

Catalog numbers

- CCP2-AUX (30 and 60 A switches)
- CCP2-AUX-100 (100 A switches)

Description

NO+NC contact output to indicate the switching mechanism status on the CCP2. A single unit can be mounted on any 1-, 2- or 3-pole CUBEFuse CCP2 switch and the left front/left side rotary operated switches.



Ratings

- 240 Vac max
- 5 A max
- NC/NO contacts are closed/open when the CCP2 switch is in the "ON" position (closed)

| Catalog no. | Switch | Description | Max per CCP2* | Ratings |
|--------------|--------------|---|-------------------------------|---------------|
| CCP2-AUX | 30/60 A only | Auxiliary contacts N/NC for switch status | 1 per CCP2 (1-, 2- or 3-pole) | 5 A / 240 Vac |
| CCP2-AUX-100 | 100 A only | | | |

* The CCP2-AUX CANNOT be mounted on the right front and right side rotary operated versions, nor installed with the flange handle rod or cable operator. De-energize all circuits and follow all prescribed safety procedures before installing or removing the auxiliary contact device.

Agency information

- UL 98 Recognized, Guide WHTY2, File E155130
- cURus to Canadian Standard 22.2 No. 4-04
- Finger-safe in installed state
- RoHS compliant
- CE

Wiring

- 16-20 AWG (1.5 to 0.5 mm²) single and dual stranded wire
- 20 AWG (1.5 mm²) single and dual solid wire
- Torque 0.56 N•m (5 lb-in)
- Use only 75°C Cu wire

Packaging

- CCP2-AUX and CCP2-AUX-100 are packaged individually

Installation technique

- Mounts on the CCP2's right side ONLY and mechanically interlocks with the CCP2 switch handle with provided hardware. The CCP2-AUX and CCP2-AUX-100 CANNOT be mounted on the right front and right side rotary operated versions, or installed with the flange handle rod or cable operator.

Storage and operating temperature

- -20°C to 75°C (-4°F to 167°F)

Carton quantity and shipping weight

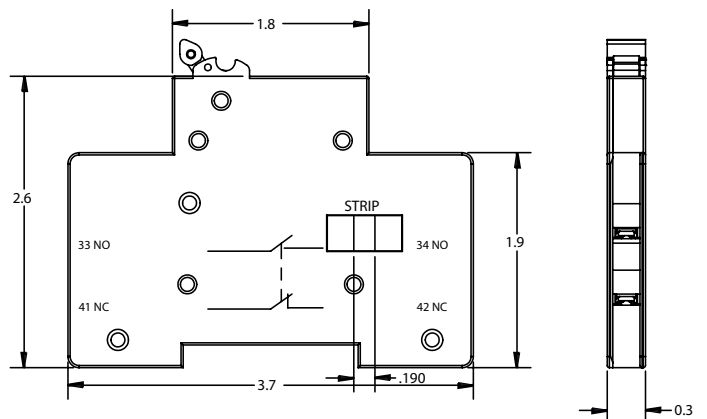
| Catalog no. | Application | Qty. | Weight lb (kg) |
|--------------|-------------------------------|------|----------------|
| CCP2-AUX | For 30 and 60 A switches only | 1 | 0.14 (0.063) |
| CCP2-AUX-100 | For 100 A switches only | | |

Installed on a CCP2-3-xx

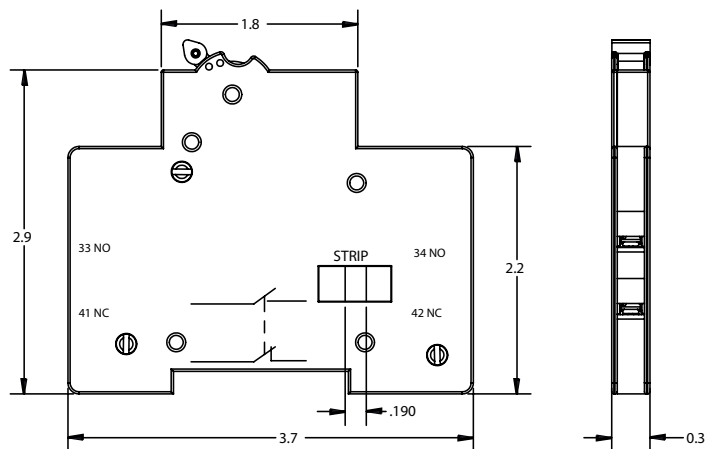
Note: CCP2-AUX and CCP2-AUX-100 CANNOT be mounted on the right front and right side rotary operated versions, nor if a flange handle rod or cable operator is installed.



Dimensions — in



CCP2-AUX



CCP2-AUX-100

Auxiliary contacts for 200 and 400 A switches

Catalog number

- CCP2-AUX-S (200 and 400 A switches)

Description

NO+NC contact output to indicate the switching mechanism status on the CCP2. A single unit can be mounted on either side of any 1-, 2- or 3-pole switch (cannot be mounted on the same side as the CCP2-SM side rotary mechanism or the right side if a flange handle rod or cable operator is installed).



Ratings

- 240 Vac max
- 5 A max
- NC/NO contacts are closed/open when the CCP2 switch is in the "ON" position (closed)

| Catalog no. | Switch | Description | Max per CCP2* | Ratings |
|-------------|---------------|---|----------------------------------|---------------|
| CCP2-AUX-S | 200 and 400 A | Auxiliary contacts NO+NC for switch status | 1 per CCP2 (1-, 2- or 3-pole) | 5 A / 240 Vac |

* The CCP2-AUX-S CANNOT be mounted on the same side where the side rotary mechanism (CCP2-SM) is installed.
De-energize all circuits and follow all prescribed safety procedures before installing or removing the auxiliary contact device.

Agency information

- UL 98 Recognized, Guide WHTY2, File E155130
- cURus to Canadian Standard 22.2 No. 4-04
- Finger-safe in installed state
- RoHS compliant

Wiring

- 16-20 AWG (1.5 to 0.5 mm²) single and dual stranded wire
- 20 AWG (1.5 mm²) single and dual solid wire
- Torque 0.56 N•m (5 lb-in)
- Use only 75°C Cu wire

Installation technique

- Mounts on either side of the 200 and 400 A switches and mechanically interlocks with the switch's handle with provided hardware. The CCP2-AUX-S CANNOT be mounted on the same side with an installed CCP2-SM side rotary mechanism, or the flange cable/rod operating mechanisms.

Storage and operating temperature

- -20°C to 75°C (-4°F to 167°F)

Packaging

- Packaged individually.

Installed on a CCP2-3-xx








Note: CCP2-AUX-S CANNOT be mounted on the same side as the side rotary mechanism CCP2-SM or the right side if a flange handle rod or cable operator is installed.





Ordering a complete switch installation

30 and 60 A CCP2 clockwise rotary switches







For a complete assembly, select from the following required and optional components, and accessories.

| | | | | |
|---|--|---|------------------------------|----------------|
| Required | Catalog no. | | | |
| | Switches | Amps | Poles | |
| | Right front rotary | | | |
| |  | CCP2R-2-30CF | 30 | 2 |
| | | CCP2R-3-30CF | | 3 |
| | | CCP2R-2-60CF | 60 | 2 |
| | | CCP2R-3-60CF | | 3 |
| | Left front rotary | | | |
| |  | CCP2RL-2-30CF | 30 | 2 |
| | | CCP2RL-3-30CF | | 3 |
| | | CCP2RL-2-60CF | 60 | 2 |
| | | CCP2RL-3-60CF | | 3 |
| | Right side rotary | | | |
| |  | CCP2S-2-30CF | 30 | 2 |
| | | CCP2S-3-30CF | | 3 |
| | | CCP2S-2-60CF | 60 | 2 |
| | | CCP2S-3-60CF | | 3 |
| | And | | | |
| |  | Rotary handles | Description | Rating |
| | | CCP2-H4X-B1 | Selector handle — black/grey | Type 1, 4X, 12 |
| CCP2-H4X-R1 | | Selector handle — red/yellow | | |
| CCP2-H4X-B2 | | Pistol handle — black/grey | | |
| CCP2-H4X-R2 | | Pistol handle — red/yellow | | |
| And | | | | |
|  | Shafts (8 mm) | Length | | |
| | CCP2-SH1-290 | 290 mm | | |
| | CCP2-SH1-490 | 490 mm | | |
|  | NFPA 79 compliant handle | | Color | |
| | CCP2-NFPA-1 | Red | | |
| And | | | | |
| Optional | Multi-wire lug kits | | | |
| | Description | Description | | |
|  | CCP2-MW1-3 | 3-port multi-wire, 75°C Cu/Al, 6-14, includes terminal shrouds, pack of 3 | | |

| And | | | | |
|--------------------|---|---------------------------|---|--|
| Accessories |  | Terminal shrouds | Description | |
| | | CCP2-TS1-3 | Pack of 3 | |
| |  | Auxiliary contacts | Description — use with CCP2RL-(poles)-30/60CF switches | |
| | | CCP2-AUX | NO/NC, 5 A / 240 V | |

**Ordering a complete switch installation
30 and 60 A CCP2 switches**

For a complete assembly, select from the following required and optional components, and accessories.

| Required | Catalog no. | | | |
|---|---|---|--------------------------------------|----------------|
| | Switches | Amps | Poles | |
| | Switch (used alone or with flange cable or flange rod handles) | | | |
| |  | CCP2-1-30CF | 30 | 1 |
| CCP2-2-30CF | | 2 | | |
| CCP2-3-30CF | | 3 | | |
| CCP2-1-60CF | | 60 | 1 | |
| CCP2-2-60CF | | | 2 | |
| CCP2-3-60CF | | | 3 | |
| And | | | | |
| Optional | Flange handle rod operator | Description — 3-pole switches only | Rating | |
| |  | CCP2-FLR1-21 | Red/black painted handle | 1, 3R and 12 |
| | | CCP2-FLR1-21X | Chrome handle | 4X |
| | Or | | | |
| | Flange handle cable operator | Description - 3-pole switches only, cannot be used with side or front rotary mechanisms | Rating | |
| |  | CCP2-FLC1-36 | 36" cable, red/black painted handle | Type 1, 3R, 12 |
| | | CCP2-FLC1-36X | 36" cable, chrome handle | Type 4X |
| | | CCP2-FLC1-60 | 60" cable, red/black painted handle | Type 1, 3R, 12 |
| | | CCP2-FLC1-60X | 60" cable, chrome handle | Type 4X |
| | | CCP2-FLC1-120 | 120" cable, red/black painted handle | Type 1, 3R, 12 |
| | | CCP2-FLC1-120X | 120" cable, chrome handle | Type 4X |
| | Multi-wire lug kits | Description | | |
|  | CCP2-MW1-3 | 3-port multi-wire, 75°C Cu/Al, 6-14, includes terminal shrouds, pack of 3 | | |
| And | | | | |
| Accessories | Terminal shrouds | Description | | |
| |  | CCP2-TS1-3 | Pack of 3 | |
| Accessories | Auxiliary contacts | Description — mounts on right side, cannot be used with flange handle rod or cable operator | | |
| |  | CCP2-AUX | NO/NC, 5 A / 240 V | |

Ordering a complete switch installation
30 and 60 A CCP2 counterclockwise switches


For a complete assembly, select from the following required and optional components, and accessories.



| | Catalog no. | | |
|---|--------------------------|---|----------------|
| | Switches | Amps | Poles |
| | Left side rotary | | |
|  | CCP2SL-2-30CF | 30 | 2 |
| | CCP2SL-3-30CF | | 3 |
| | CCP2SL-2-60CF | 60 | 2 |
| | CCP2SL-3-60CF | | 3 |
| And | | | |
|  | Rotary handles | Description | Rating |
| | CCP2-H4X-B1L | Selector handle — black/grey | Type 1, 4X, 12 |
| | CCP2-H4X-R1L | Selector handle — red/yellow | |
| | CCP2-H4X-B2L | Pistol handle — black/grey | |
| | CCP2-H4X-R2L | Pistol handle — red/yellow | |
| And | | | |
|  | Shafts (8 mm) | Length | |
| | CCP2-SH1-290 | 290 mm | |
| | CCP2-SH1-490 | 490 mm | |
|  | NFPA 79 compliant handle | Color | |
| | CCP2-NFPA-1 | Red | |
| And | | | |
|  | Multi-wire lug kits | Description | |
| | CCP2-MW1-3 | 3-port multi-wire, 75°C Cu/Al, 6-14, includes terminal shrouds, pack of 3 | |
| And | | | |
|  | Terminal shrouds | Description | |
| | CCP2-TS1-3 | Pack of 3 | |
|  | Auxiliary contacts | Description — mounts on right side | |
| | CCP2-AUX | NO/NC, 5 A / 240 V | |

Ordering a complete switch installation

100 A CCP2 clockwise rotary switches

For a complete assembly, select from the following required and optional components, and accessories.








| | | | | |
|---|---|----------------------------|---|----------------|
| Required | Catalog no. | | | |
| | Switches | Amps | Poles | |
| | Right front rotary | | | |
| |  | CCP2R-2-100CF | 100 | 2 |
| | | CCP2R-3-100CF | | 3 |
| | Left front rotary | | | |
| |  | CCP2RL-2-100CF | 100 | 2 |
| | | CCP2RL-3-100CF | | 3 |
| | Right side rotary | | | |
| |  | CCP2S-2-100CF | 100 | 2 |
| | | CCP2S-3-100CF | | 3 |
| | And | | | |
| |  | Rotary handles | Description | Rating |
| | | CCP2-H4X-B1 | Selector handle — black/grey | Type 1, 4X, 12 |
| | | CCP2-H4X-R1 | Selector handle — red/yellow | |
| CCP2-H4X-B2 | | Pistol handle — black/grey | | |
| CCP2-H4X-R2 | | Pistol handle — red/yellow | | |
| And | | | | |
|  | Shafts (8 mm) | Length | | |
| | CCP2-SH1-290 | 290 mm | | |
| | CCP2-SH1-490 | 490 mm | | |
|  | NFPA 79 compliant handle | Color | | |
| | CCP2-NFPA-1 | Red | | |
| And | | | | |
| Optional |  | Multi-wire lug kits | Description | |
| | | CCP2-MW1-6 | 6-port multi-wire, 75°C Cu/Al, 6-14, includes terminal shrouds, pack of 3 | |
| | | CCP2-MW1-3C | 3-port, 75°C Cu/Al, 1-14, includes terminal shrouds, pack of 3, useful for control wire setups on the line side of the switch | |

| And | | | |
|--------------------|---|---------------------------|--|
| Accessories |  | Terminal shrouds | Description |
| | | CCP2-TS1-6 | Pack of 3 |
| |  | Auxiliary contacts | Description — cannot be used on right front or right side operated switches |
| | | CCP2-AUX-100 | NO/NC, 5 A / 240 V |

Ordering a complete switch installation

100 A CCP2 switches







For a complete assembly, select from the following required and optional components, and accessories.

| Required | Catalog no. | | | |
|---|---|---------------------------------|---|---|
| | Switches | Amps | Poles | |
| | Switch (used alone or with flange cable or flange rod handles) | | | |
| |  | CCP2-1-100CF | 100 | 1 |
| | CCP2-2-100CF | 2 | | |
| | CCP2-3-100CF | 3 | | |
| And | | | | |
| Optional | Flange handle rod operator | | Description — 3-pole switches only | Rating |
| |  | CCP2-FLR1-21 | Red/black painted handle | 1, 3R and 12 |
| | | CCP2-FLR1-21X | Chrome handle | 4X |
| | Or | | | |
| | Flange handle cable operator | | Description - 3-pole switches only, cannot be used with side or front rotary mechanisms | Rating |
| |  | CCP2-FLC1-36 | 36" cable, red/black painted handle | Type 1, 3R, 12 |
| | | CCP2-FLC1-36X | 36" cable, chrome handle | Type 4X |
| | | CCP2-FLC1-60 | 60" cable, red/black painted handle | Type 1, 3R, 12 |
| | | CCP2-FLC1-60X | 60" cable, chrome handle | Type 4X |
| | | CCP2-FLC1-120 | 120" cable, red/black painted handle | Type 1, 3R, 12 |
| | | CCP2-FLC1-120X | 120" cable, chrome handle | Type 4X |
| | Multi-wire lug kits | | Description | |
| |  | CCP2-MW1-6 | 6-port multi-wire, 75°C Cu/Al, 6-14, includes terminal shrouds, pack of 3 | |
| | | CCP2-MW1-3C | 3-port, 75°C Cu/Al, 1-14, includes terminal shrouds, pack of 3, useful for control wire setups on the line side of the switch | |
| And | | | | |
| Accessories | Terminal shrouds | | Description | |
| |  | CCP2-TS1-6 | Pack of 3 | |
| | | Auxiliary contacts | | Description — mounts on right side, cannot be used with flange handle rod or cable operator |
| |  | CCP2-AUX-100 | NO/NC, 5 A / 240 V | |
| | | NFPA 79 compliant flange handle | | Color |
|  | CCP2-NFPA-1 | Red | | |

Ordering a complete switch installation

100 A CCP2 counterclockwise switches



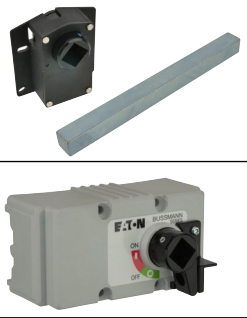




For a complete assembly, select from the following required and optional components, and accessories.


| | | Catalog no. | | | |
|--------------------|---|--|---|----------------|--|
| | | Switches | Amps | Poles | |
| | | Left side rotary | | | |
| Required |  | CCP2SL-2-100CF | 100 | 2 | |
| | | CCP2SL-3-100CF | | 3 | |
| | And | | | | |
| |  | Rotary handles | Description | Rating | |
| | | CCP2-H4X-B1L | Selector handle — black/grey | Type 1, 4X, 12 | |
| | | CCP2-H4X-R1L | Selector handle — red/yellow | | |
| | | CCP2-H4X-B2L | Pistol handle — black/grey | | |
| | | CCP2-H4X-R2L | Pistol handle — red/yellow | | |
| | And | | | | |
| |  | Shafts (8 mm) | Length | | |
| | | CCP2-SH1-290 | 290 mm | | |
| | | CCP2-SH1-490 | 490 mm | | |
| |  | NFPA 79 compliant flange handle | Color | | |
| | | CCP2-NFPA-1 | Red | | |
| | And | | | | |
| Optional |  | Multi-wire lug kits | Description | | |
| | | CCP2-MW1-6 | 6-port multi-wire, 75°C Cu/Al, 6-14, includes terminal shrouds, pack of 3 | | |
| | | CCP2-MW1-3C | 3-port, 75°C Cu/Al, 1-14, includes terminal shrouds, pack of 3, useful for control wire setups on the line side of the switch | | |
| And | | | | | |
| Accessories |  | Terminal shrouds | Description | | |
| | | CCP2-TS1-6 | Pack of 3 | | |
| | | Auxiliary contacts | Description — mounts on right side | | |
| | | CCP2-AUX-100 | NO/NC, 5 A / 240 V | | |

Ordering a complete switch installation

200 A CCP2 switches

For a complete installation, select from the following required and optional components, and accessories.

| | | Catalog no. | | | | |
|---|---|---|---|---|----------------|--|
| | | Switches | Amps | Poles | | |
| Required |  | CCP2-1-200CF | 200 | 1 | | |
| | | CCP2-2-200CF | | 2 | | |
| | | CCP2-3-200CF | | 3 | | |
| |  | And | | | | |
| | | Lug kits | Description | | | |
| | | CCP2-L2-1 | Stainless steel lug, 75° Cu only, 350 kcmil-4, 1 per pack | | | |
| CCP2-L2-1A | | Aluminum lug, 75°C Cu/Al, 350 kcmil-4, 1 per pack | | | | |
| CCP2-MW2-3 | | 3-port multi-wire lug, 75°C Cu/Al, 2-14, 3 per pack, includes terminal shroud | | | | |
| CCP2-MW2-6 | 6-port multi-wire lug, 75°C Cu/Al, 6-14, 3 per pack, includes terminal shroud | | | | | |
| And | | | | | | |
| Optional |  | Rotary mechanisms | Description | | | |
| | | CCP2-SM | Side rotary mechanism - mounts on left or right side of 1-, 2- and 3-pole switches | | | |
| |  | CCP2-RM2 | Front rotary mechanism - mounts only on 3-pole switches, requires clockwise rotating handle | | | |
| | And | | | | | |
| |  | Rotary handles | Description | Rotation - must match switch rotation | Type 1, 4X, 12 | |
| | | CCP2-H4X-B3 | Short pistol handle — black/grey | Clockwise | | |
| | | CCP2-H4X-R3 | Short pistol handle — red/yellow | For use with front rotary mechanism or side rotary mechanism CCP2-SM on the switch's right side | | |
| | | CCP2-H4X-B4 | Long pistol handle — black/grey | | | |
| | | CCP2-H4X-R4 | Long pistol handle — red/yellow | Counterclockwise | | |
| | | CCP2-H4X-B3L | Short pistol handle — black/grey | | | |
| | | CCP2-H4X-R3L | Short pistol handle — red/yellow | Use only if installing side rotary mechanism CCP2-SM on the switch's left side | | |
| | | CCP2-H4X-B4L | Long pistol handle — black/grey | | | |
| | CCP2-H4X-R4L | Long pistol handle — red/yellow | | | | |
| | And | | | | | |
| |  | Shafts (12 mm) | Length | | | |
| CCP2-SH2-225 | | 225 mm | | | | |
| CCP2-SH2-425 | | 425 mm | | | | |
|  | NFPA 79 compliant handle | Color | | | | |
| | CCP2-NFPA-2 | Red | | | | |


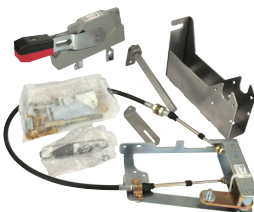


| | | | | |
|---|---|--|--|-------------------|
| Optional |  | Or | | |
| | | Flange handle rod operator | Description — 3-pole switches only, cannot be used with side or front rotary mechanisms | Rating |
| | | CCP2-FLR2-21 | Red/black, painted handle | Type 1, 3R and 12 |
| | | CCP2-FLR2-21X | Chrome handle | Type 4X |
| |  | Or | | |
| | | Flange handle cable operator | Description - 3-pole switches only, cannot be used with side or front rotary mechanisms | Rating |
| | | CCP2-FLC2-36 | 36" cable, red/black painted handle | Type 1, 3R and 12 |
| | | CCP2-FLC2-36X | 36" cable, chrome handle | Type 4X |
| | | CCP2-FLC2-60 | 60" cable, red/black painted handle | Type 1, 3R and 12 |
| | | CCP2-FLC2-60X | 60" cable, chrome handle | Type 4X |
| CCP2-FLC2-120 | | 120" cable, red/black painted handle | Type 1, 3R and 12 | |
| CCP2-FLC2-120X | 120" cable, chrome handle | Type 4X | | |
| And | | | | |
|  | Terminal shrouds | Description | | |
| | CCP2-TS2-3 | 3-pole terminal shroud with phase shields, 1 per pack | | |
| | Phase barriers | Description | | |
| CCP2-PB2 | Phase barriers, 2 per pack | | | |
| And | | | | |
| Accessories |  | Control wire terminals | Description | |
| | | CCP2-CWK2 | 1/4" quick-connect control wire terminals - mounts on installed lug (cannot be used with lug CCP2-L2-1), 12 per pack | |
| |  | Auxiliary contacts | Description | |
| | | CCP2-AUX-S | NO/NC, 5 A, 240 V - Can be mounted on right or left side | |
|  | Handle extension | Description | | |
| | CCP2-HEX | Handle extension to facilitate operating 1-, 2 and 3-pole switches. Cannot be used when side or front rotary mechanisms or flange handle rod or cable operators are installed. | | |

Ordering a complete switch installation

400 A CCP2 switches

For a complete installation, select from the following required and optional components, and accessories.

| | | Catalog no. | | | | |
|---|--|---|---|---|----------------|--|
| | | Switches | Amps | Poles | | |
| Required |  | CCP2-1-400CF | 400 | 1 | | |
| | | CCP2-2-400CF | | 2 | | |
| | | CCP2-3-400CF | | 3 | | |
| | And | | | | | |
| |  | Lug kits | Description | | | |
| | | CCP2-L4-1 | Stainless steel lug, 75° Cu only, 500 kcmil-3, 1 per pack | | | |
| | | CCP2-L4-1A | Aluminum lug, 75° Cu only, 500 kcmil-3, 1 per pack | | | |
| | | CCP2-L4B-3 | Stainless steel lug, 75° Cu only, 750-500 kcmil, 3 per pack, includes terminal shroud | | | |
| | | CCP2-L4B-3A | Aluminum lug, 75° Cu/Al, 750-500 kcmil, 3 per pack, includes terminal shroud | | | |
| | | CCP2-MW6-6 | 6-port multi-wire lug, 75° Cu/Al, 1/0-14, 3 per pack, includes terminal shroud | | | |
| CCP2-L6-3 | | 2-port stainless steel lug, 75° Cu only, 500 kcmil-2, 3 per pack, includes terminal shroud | | | | |
| CCP2-L6-3A | | 2-port aluminum lug kit, 75° Cu/Al, 500 kcmil-2, 3 per pack, includes terminal shroud | | | | |
| CCP2-L6-3CW | | 2-port stainless steel lug kit with shroud with control tab, 75° Cu only, 500 kcmil-2, 3 per pack | | | | |
| CCP2-L6-3ACW | 2-port aluminum lug kit with shroud with control tab, 75° Cu/Al, 500 kcmil-2, 3 per pack | | | | | |
| And | | | | | | |
| Optional |  | Rotary mechanisms | Description | | | |
| | | CCP2-SM | Side rotary mechanism - mounts on left or right side of 1-, 2- and 3-pole switches | | | |
| |  | CCP2-RM4 | Front rotary mechanism - mounts only on 3-pole switches, requires clockwise rotating handle | | | |
| | And | | | | | |
| |  | Rotary handles | Description | Rotation - must match switch rotation | Type 1, 4X, 12 | |
| | | CCP2-H4X-B3 | Short pistol handle — black/grey | Clockwise | | |
| | | CCP2-H4X-R3 | Short pistol handle — red/yellow | For use with front rotary mechanism or side rotary mechanism CCP2-SM on the switch's right side | | |
| | | CCP2-H4X-B4 | Long pistol handle — black/grey | | | |
| | | CCP2-H4X-R4 | Long pistol handle — red/yellow | Counterclockwise | | |
| | | CCP2-H4X-B3L | Short pistol handle — black/grey | | | |
| | | CCP2-H4X-R3L | Short pistol handle — red/yellow | Use only if installing side rotary mechanism CCP2-SM on the switch's left side | | |
| | | CCP2-H4X-B4L | Long pistol handle — black/grey | | | |
| | CCP2-H4X-R4L | Long pistol handle — red/yellow | | | | |
| | And | | | | | |
| |  | Shafts (12 mm) | Length | | | |
| CCP2-SH2-225 | | 225 mm | | | | |
| CCP2-SH2-425 | | 425 mm | | | | |
|  | NFPA 79 compliant handle | Color | | | | |
| | CCP2-NFPA-2 | Red | | | | |

| | | | | |
|---|---|--|--|----------------|
| Optional |  | Or | | |
| | | Flange handle rod operator | Description - 3-pole switches only, cannot be used with side or front rotary mechanisms | Rating |
| | | CCP2-FLR2-21 | Red/black, painted handle | Type 1, 3R, 12 |
| | | CCP2-FLR2-21X | Chrome handle | Type 4X |
| |  | Or | | |
| | | Flange handle cable operator | Description - 3-pole switches only, cannot be used with side or front rotary mechanisms | Rating |
| | | CCP2-FLC2-36 | 36" cable, red/black painted handle | Type 1, 3R, 12 |
| | | CCP2-FLC2-36x | 36" cable, chrome handle | Type 4X |
| CCP2-FLC2-60 | | 60" cable, red/black painted handle | Type 1, 3R, 12 | |
| CCP2-FLC2-60x | | 60" cable, chrome handle | Type 4X | |
| CCP2-FLC2-120 | | 120" cable, red/black painted handle | Type 1, 3R, 12 | |
| | CCP2-FLC2-120x | 120" cable, chrome handle | Type 4X | |
| And | | | | |
|  | Terminal shrouds | Description | | |
| | CCP2-TS6-3 | 3-pole terminal shroud with phase shields, 1 per pack | | |
| | Phase barriers | Description | | |
| | CCP2-PB6 | Phase barriers, 2 per pack | | |
| Accessories | And | | | |
| | Auxiliary contacts | Description | | |
| | CCP2-AUX-S | NO/NC, 5 A, 240 V - Can be mounted on right or left side | | |
| | Handle extension | Description | | |
| CCP2-HEX | Handle extension to facilitate operating 1-, 2 and 3-pole switches. Cannot be used when side or front rotary mechanisms, or flange handle rod and cable mechanisms are installed. | | | |
|  | Spacer | Description | | |
| | CCP2-SP4 | Optional replacement spacers for installation purposes | | |

Motor sizing table (from NEC Tables 430.248 and 430.250)

Bussmann series TCF Low-Peak time-delay Class CF fuses

| Voltage | Motor size (Hp) | Motor FLA (amps) | Min (amps) | NEC code max (amps) | Heavy start* (amps) |
|-------------------------|-----------------|------------------|------------|---------------------|---------------------|
| 115 Vac, 1-phase | 1/6 | 4.4 | 10 | 10 | 10 |
| | 1/4 | 5.8 | 10 | 15 | 15 |
| | 1/3 | 7.2 | 15 | 15 | 15 |
| | 1/2 | 9.8 | 15 | 20 | 20 |
| | 3/4 | 13.8 | 25 | 25 | 30 |
| | 1 | 16 | 25 | 30 | 35 |
| | 1-1/2 | 20 | 30 | 35 | 45 |
| | 2 | 24 | 40 | 45 | 50 |
| | 3 | 34 | 50 | 60 | 70 |
| | 5** | 56 | 90 | 100 | 125 |
| | 7-1/2 | 80 | 125 | 150 | 175 |
| | 10 | 100 | 150 | 175 | 225 |
| 230 Vac, 1-phase | 1/6 | 2.2 | 6 | 6 | 6 |
| | 1/4 | 2.9 | 6 | 6 | 6 |
| | 1/3 | 3.6 | 6 | 10 | 10 |
| | 1/2 | 4.9 | 10 | 10 | 10 |
| | 3/4 | 6.9 | 15 | 15 | 15 |
| | 1 | 8 | 15 | 15 | 17.5 |
| | 1-1/2 | 10 | 15 | 20 | 20 |
| | 2 | 12 | 20 | 25 | 25 |
| | 3 | 17 | 25 | 30 | 35 |
| | 5 | 28 | 45 | 50 | 60 |
| 7-1/2 | 40 | 60 | 70 | 90 | |
| 10** | 50 | 80 | 90 | 110 | |
| 200 Vac, 3-phase | 1/2 | 2.5 | 6 | 6 | 6 |
| | 3/4 | 3.7 | 6 | 10 | 10 |
| | 1 | 4.8 | 10 | 10 | 10 |
| | 1-1/2 | 6.9 | 15 | 15 | 15 |
| | 2 | 7.8 | 15 | 15 | 17.5 |
| | 3 | 11 | 17.5 | 20 | 20 |
| | 5 | 17.5 | 30 | 35 | 35 |
| | 7-1/2 | 25.3 | 40 | 45 | 50 |
| | 20** | 62.1 | 100 | 110 | 125 |
| | 25 | 78.2 | 125 | 150 | 175 |
| | 30 | 92 | 150 | 175 | 200 |
| | 40 | 120 | 200 | 225 | 250 |
| 50 | 150 | 225 | 300 | 300 | |
| 60 | 177 | 300 | 350 | 350 | |

Note: Use NEC code max column for low to moderate reverse/jog/plug applications.

* Heavy Start permitted only if NEC code max does not allow motor start-up.

**If equipment terminations are rated for 60°C conductors only, the 60°C conductor ampacities must be utilized and therefore larger conductor sizes or conduit sizes may be required.

| Voltage | Motor size (Hp) | Motor FLA (amps) | Min (amps) | NEC code max (amps) | Heavy start* (amps) |
|-------------------------|-----------------|------------------|------------|---------------------|---------------------|
| 208 Vac, 3-phase | 1/2 | 2.4 | 6 | 6 | 6 |
| | 3/4 | 3.5 | 6 | 10 | 10 |
| | 1 | 4.6 | 10 | 10 | 10 |
| | 1-1/2 | 6.6 | 10 | 15 | 15 |
| | 2 | 7.5 | 15 | 15 | 15 |
| | 3 | 10.6 | 17.5 | 20 | 20 |
| | 5 | 16.7 | 25 | 30 | 35 |
| | 7-1/2 | 24.2 | 40 | 45 | 50 |
| | 20** | 59.4 | 90 | 110 | 125 |
| | 25 | 74.8 | 125 | 150 | 150 |
| | 30 | 88 | 150 | 175 | 175 |
| | 40 | 114 | 175 | 200 | 250 |
| 50 | 143 | 225 | 300 | 300 | |
| 60 | 169 | 300 | 300 | 350 | |
| 230 Vac, 3-phase | 1/2 | 2.2 | 6 | 6 | 6 |
| | 3/4 | 3.2 | 6 | 6 | 6 |
| | 1 | 4.2 | 10 | 10 | 10 |
| | 1-1/2 | 6 | 10 | 15 | 15 |
| | 2 | 6.8 | 15 | 15 | 15 |
| | 3 | 9.6 | 15 | 20 | 20 |
| | 5 | 15.2 | 25 | 30 | 30 |
| | 7-1/2 | 22 | 35 | 40 | 45 |
| | 20** | 54 | 90 | 100 | 110 |
| | 25 | 68 | 110 | 125 | 150 |
| | 30 | 80 | 125 | 150 | 175 |
| | 40 | 104 | 175 | 200 | 225 |
| 50 | 130 | 200 | 250 | 250 | |
| 60 | 154 | 250 | 300 | 300 | |
| 75 | 192 | 300 | 350 | 400 | |
| 460 Vac, 3-phase | 1/2 | 1.1 | 3 | 3 | 3 |
| | 3/4 | 1.6 | 3 | 3 | 3 |
| | 1 | 2.1 | 6 | 6 | 6 |
| | 1-1/2 | 3 | 6 | 6 | 6 |
| | 2 | 3.4 | 6 | 6 | 6 |
| | 3 | 4.8 | 10 | 10 | 10 |
| | 5 | 7.6 | 15 | 15 | 15 |
| | 7-1/2 | 11 | 17.5 | 20 | 20 |
| | 10 | 14 | 25 | 25 | 30 |
| | 15 | 21 | 35 | 40 | 45 |
| | 20 | 27 | 40 | 50 | 60 |
| | 50** | 65 | 100 | 125 | 125 |
| 60 | 77 | 125 | 150 | 150 | |
| 75 | 96 | 150 | 175 | 200 | |
| 100 | 124 | 200 | 225 | 250 | |
| 125 | 156 | 250 | 300 | 350 | |
| 150 | 180 | 300 | 350 | 400 | |

Note: Use NEC code max column for low to moderate reverse/jog/plug applications.

* Heavy Start permitted only if NEC code max does not allow motor start-up.

**If equipment terminations are rated for 60°C conductors only, the 60°C conductor ampacities must be utilized and therefore larger conductor sizes or conduit sizes may be required.