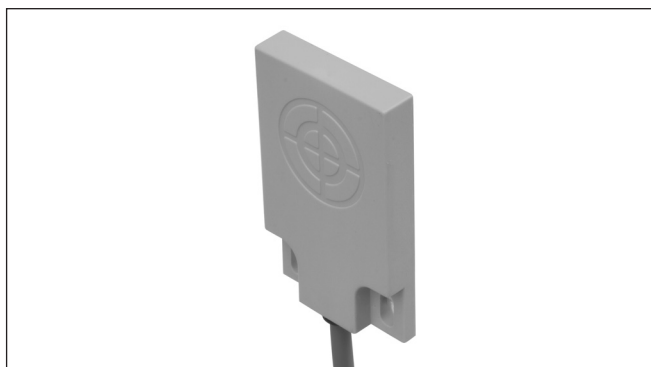


Level Sensors

Capacitive Level Detector

Type CD50 CNF ..

CARLO GAVAZZI



- Basic capacitive water level sensor
- For water storage tanks in mini-pools and whirlpools
- Detection of excess water in the whirlpool tub
- Safety device to control the operation of the pump
- Mounting by screws or glued on the outside of any non-metallic tank
- Supply 10-30 VDC or 5 VDC

Product Description

Capacitive level detectors. 3-wire DC sensors with open collector NPN or PNP transistor output. The sensors are available in a 5 VDC version and a 10-30 VDC version.

The sensing distance is fixed and works through a non-metallic wall.

Ordering Key

CD50 CNF 06 NO

| | |
|-----------------------------|-------|
| Capacitive proximity switch | _____ |
| Housing style | _____ |
| Housing size | _____ |
| Housing material | _____ |
| Housing length | _____ |
| Detection principle | _____ |
| Sensing distance | _____ |
| Output type | _____ |
| Output configuration | _____ |

Type Selection

| Supply | Housing size (mm) | Rated operating distance (S _n) | Mounting | Ordering no. Transistor NPN/ cable, make switching | Ordering no. Transistor NPN/ cable, break switching | Ordering no. Transistor PNP/ cable, make switching |
|-----------|-------------------|--|--------------------|--|---|--|
| 10-30 VDC | 50 x 30 x 7 | 10 mm | M3 screws or glued | CD50CNF10NO | CD50CNF10NC | CD50CNF10PO |
| 10-30 VDC | 50 x 30 x 7 | 7 mm | M3 screws or glued | | CD50CNF07NC | CD50CNF07PO |
| 10-30 VDC | 50 x 30 x 7 | 6 mm | M3 screws or glued | CD50CNF06NO | | |
| 5 VDC | 50 x 30 x 7 | 5 mm | M3 screws or glued | CD50CNF05NO | | |

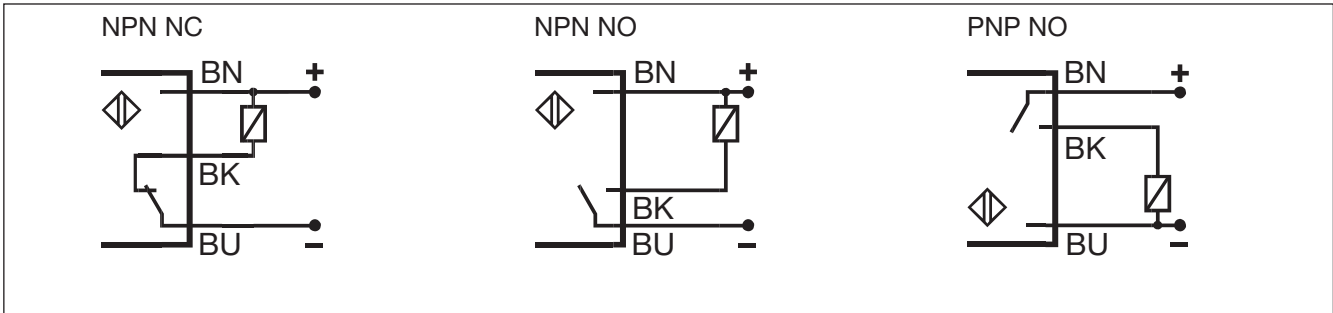
Specifications

| | | | |
|--|---|--|---|
| Rated operation dist. (S_n) Fixed CD50CNF10XX Fixed CD50CNF07XX Fixed CD50CNF06NO Fixed CD50CNF05NO | 10 mm (ref. st. 37 grounded) 7 mm (ref. st. 37 grounded) 6 mm (ref. st. 37 grounded) 5 mm (ref. st. 37 grounded) | Output CD50CNFXXNO CD50CNFXXNC CD50CNFXXPO | Open collector, NPN, make switching Open collector, NPN, breake switching Open collector, PNP, make switching |
| Rated operational volt. (U_e) Fixed CD50CNF10-07-06XX Fixed CD50CNF05NO | 10-30 VDC ± 10% (ripple included) 5 VDC ± 10% (ripple included) | Environment Degree of protection Operating temperature Storage temperature | IP 67 0 to +60°C (32 to +140°F) -30 to +75°C (-22 to +167°F) |
| Ripple | ≤ 10% | Housing material | Noryl, grey |
| Rated operational current (I_e) Continuous | ≤ 50 mA | Connection Cable | 2.0 m, 3 x 0.25 mm ² grey PVC, oil proof |
| No-load supply current (I_o) | ≤ 10 mA | Weight | 120 g |
| Leakage current | < 100 μA | CE-marking | Yes |
| Voltage drop (U_d) @ 50 mA | 1.5 V | IEC61000-4-2 IEC61000-3-2/ IEC61000-3-3 IEC61000-4-4 class B IEC61000-4-6 | ±4KV cont, ±8KV air 3V/m ±2KV 3Vrms* |
| Frequency of operating cycles (f) CD50CNF10XX CD50CNF07XX CD50CNF06XX CD50CNF05XX | 10 Hz 10 Hz 10 Hz 10 Hz | | |

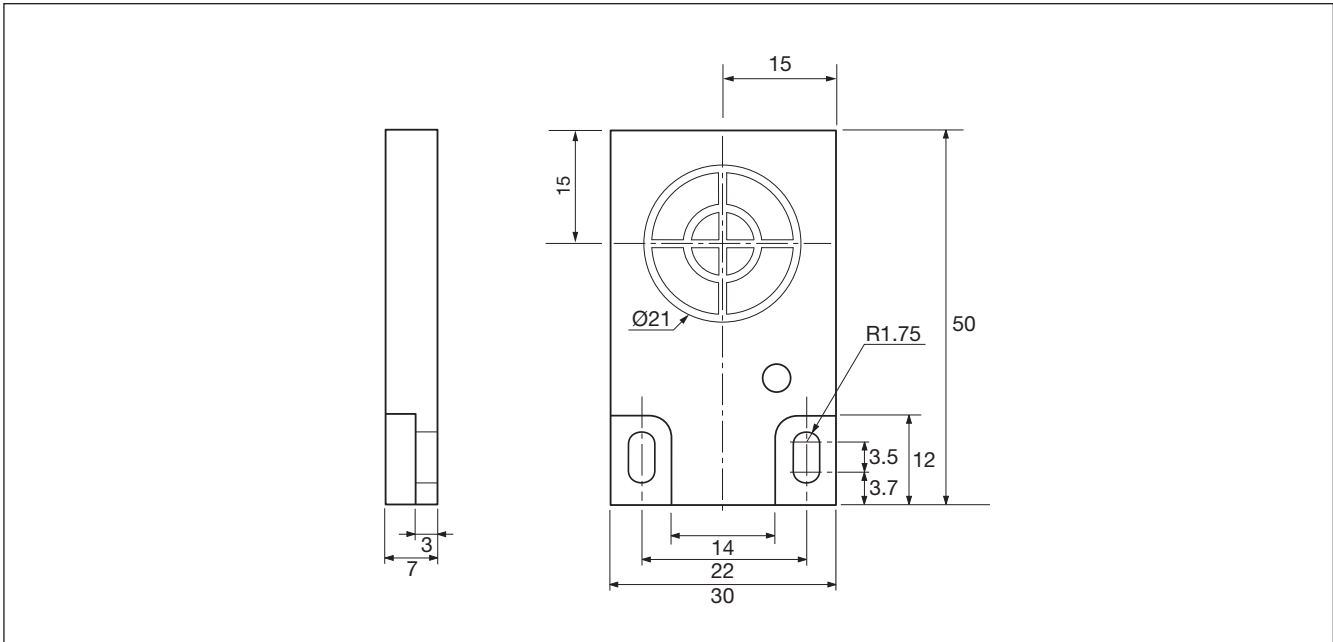
*Not observed around the frequency: CD50CNF05xx: 400KHz - 760KHz, CD50CNF06xx: 600KHz - 1050KHz, CD50CNF07xx : 550KHz - 1100KHz, CD50CNF10xx: 2150KHz - 5050KHz.

Specifications are subject to change without notice (01.12.2021).

Wiring Diagram



Dimensions



Delivery Contents

- Capacitive switch
- **Packaging:** Plastic bag