

# CDBA340LR-HF Thru. CDBA3200LR-HF

Reverse Voltage: 40 to 200 Volts

Forward Current: 3.0 Amp

RoHS Device

Halogen free

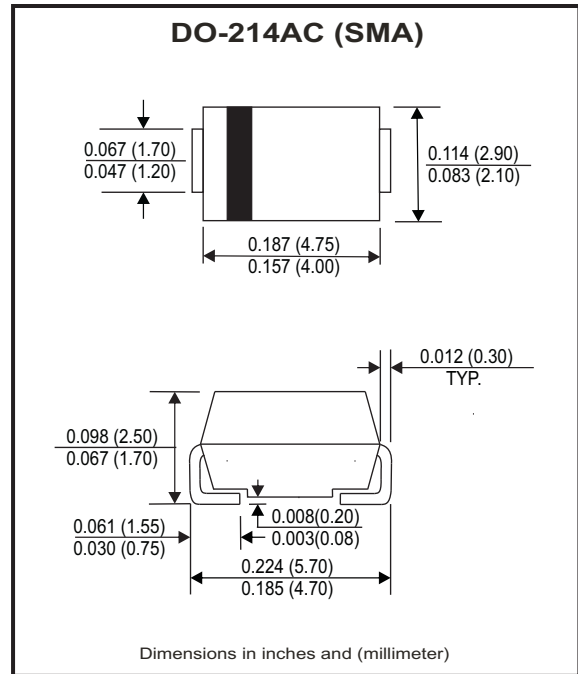


## Features

- Low Profile surface mount applications in order to optimize board space.
- Low power loss, high efficiency.
- High current capability, low forward voltage drop.
- High surge capability.
- Guard ring for overvoltage protection.
- Ultra high-speed switching.
- Silicon epitaxial planar chip, metal silicon junction.

## Mechanical data

- Epoxy: UL94-V0 rate flame retardant.
- Case: Molded plastic, DO-214AC / SMA
- Terminals: solderable per MIL-STD-750, method 2026.
- Polarity: Indicated by cathode band.
- Weight: 0.055 grams



## Maximum Ratings and Electrical Characteristics

Ratings at  $T_a=25^\circ\text{C}$  unless otherwise noted.  
Single phase, half wave, 60Hz, resistive or inductive loaded.  
For capacitive load, derate current by 20% .

Parameter	Symbol	CDBA 340LR-HF	CDBA 360LR-HF	CDBA 3100LR-HF	CDBA 3150LR-HF	CDBA 3200LR-HF	Units
Max. Repetitive peak reverse voltage	$V_{RRM}$	40	60	100	150	200	V
Max. DC blocking voltage	$V_{DC}$	40	60	100	150	200	V
Max. RMS voltage	$V_{RMS}$	28	42	70	105	140	V
Max. Instantaneous forward voltage @3.0A, $T_A=25^\circ\text{C}$	$V_F$	0.45	0.55	0.75	0.82	0.85	V
Operating Temperature	$T_J$	-50 to +150			-50 to +175		$^\circ\text{C}$

Parameter	Conditions	Symbol	MIN.	TYP.	MAX.	Units
Forward rectified current	see Fig.1	$I_o$			3.0	A
Forward surge current	8.3ms single half sine-wave superimposed on rate load (JEDEC method)	$I_{FSM}$			125	A
Reverse Current	$V_R = V_{RRM}$ $T_A=25^\circ\text{C}$	$I_R$			0.5	mA
	$V_R = V_{RRM}$ $T_A=100^\circ\text{C}$	$I_R$			20	mA
Thermal Resistance	Junction to ambient	$R_{\theta JA}$		55		$^\circ\text{C/W}$
Diode Junction capacitance	f=1MHz and applied 4V DC reverse Voltage	$C_J$		250		pF
Storage temperature		$T_{STG}$	-50		+175	$^\circ\text{C}$

Company reserves the right to improve product design , functions and reliability without notice.

REV:B

## RATING AND CHARACTERISTIC CURVES (CDBA340LR-HF Thru. CDBA3200LR-HF)

Fig.1 - Typical Forward Current Derating Curve

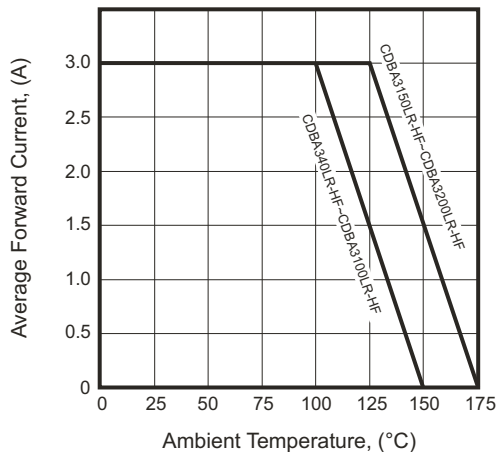


Fig.2 - Typical Forward Characteristics

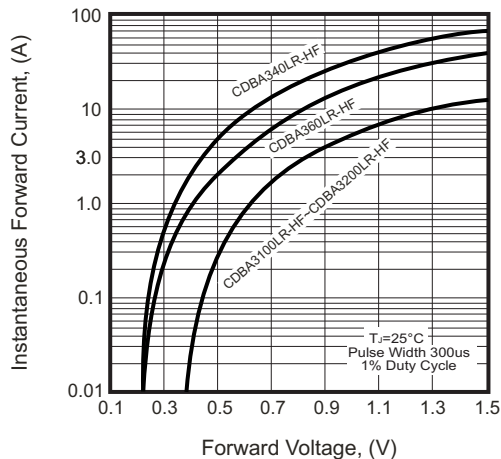


Fig.3 - Maximum Non-repetitive Forward Surge Current

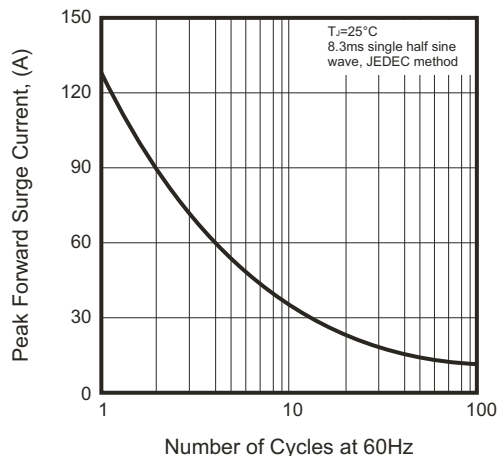


Fig.4 - Typical Junction Capacitance

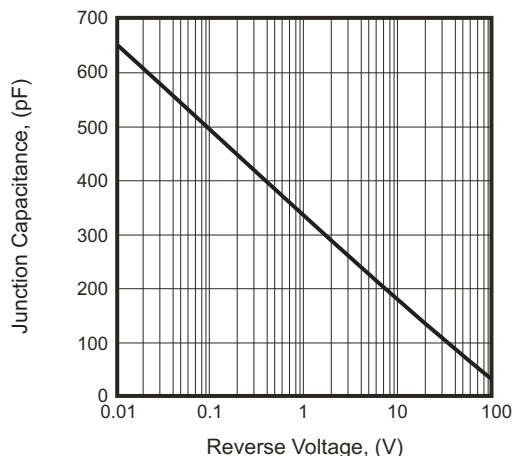
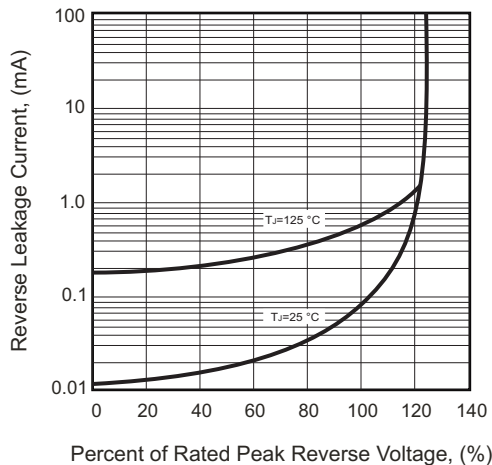
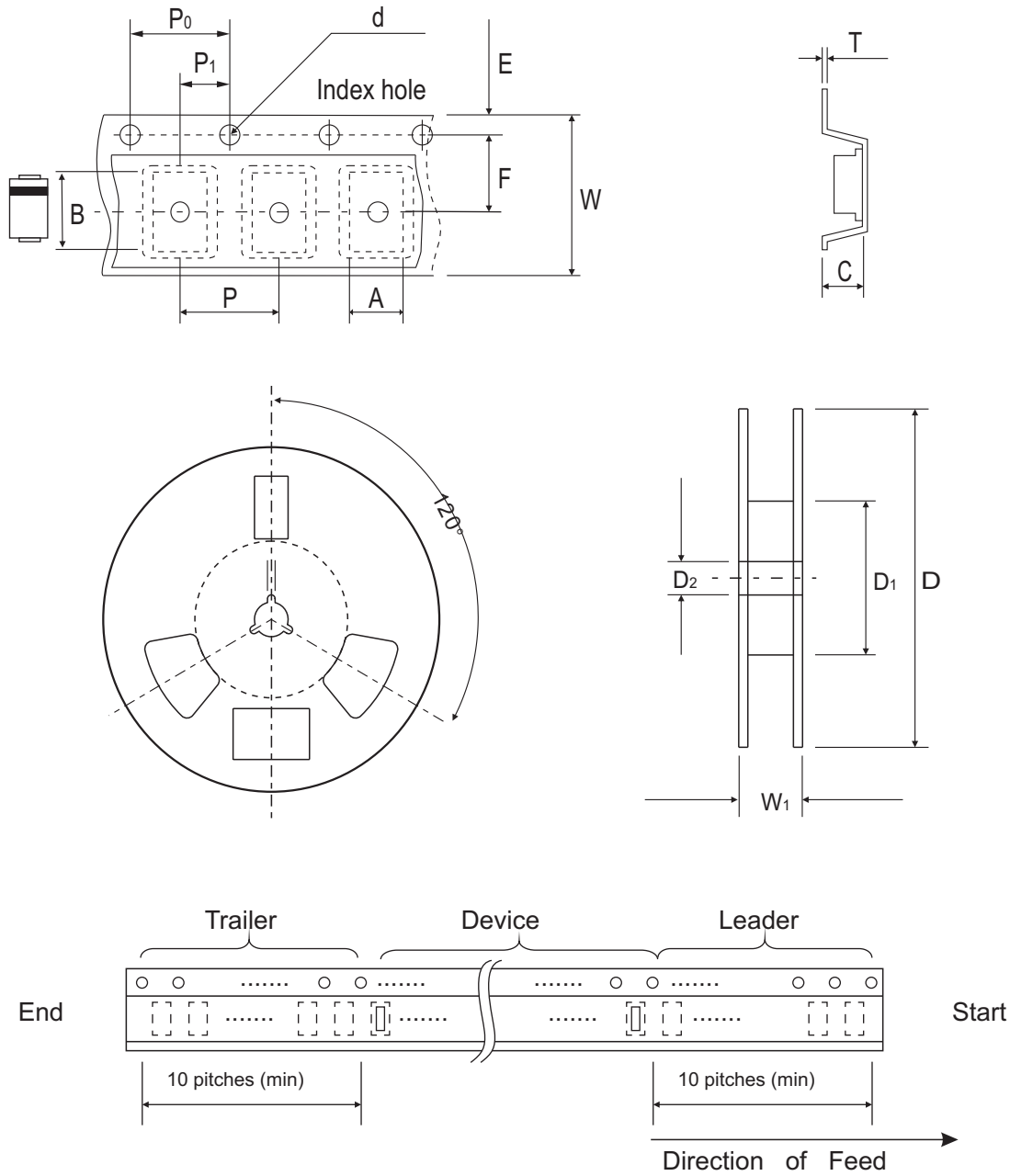


Fig.5 - Typical Reverse Characteristics



Company reserves the right to improve product design, functions and reliability without notice.

## Reel Taping Specification



DO-214AC (SMA)	SYMBOL	A	B	C	d	D	D1	D2
	(mm)	2.70 ± 0.10	5.30 ± 0.10	2.66 ± 0.10	1.50 ± 0.10	330 ± 2.00	62.0 MIN.	13.50 ± 0.50
	(inch)	0.106 ± 0.004	0.209 ± 0.004	0.105 ± 0.004	0.059 ± 0.004	12.99 ± 0.079	2.441 MIN.	0.531 ± 0.020

DO-214AC (SMA)	SYMBOL	E	F	P	P0	P1	T	W	W1
	(mm)	1.75 ± 0.10	5.50 ± 0.10	4.00 ± 0.10	4.00 ± 0.10	2.00 ± 0.10	0.60 ± 0.10	12.0 ± 0.30	18.40 ± 1.00
	(inch)	0.069 ± 0.004	0.217 ± 0.004	0.157 ± 0.004	0.157 ± 0.004	0.079 ± 0.004	0.236 ± 0.004	0.472 ± 0.012	0.724 ± 0.039

Company reserves the right to improve product design, functions and reliability without notice.