

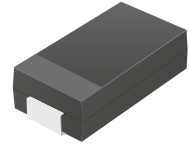
CDBB240-HF Thru. CDBB2100-HF

Reverse Voltage: 40 to 100 Volts

Forward Current: 2.0 Amp

RoHS Device

Halogen Free

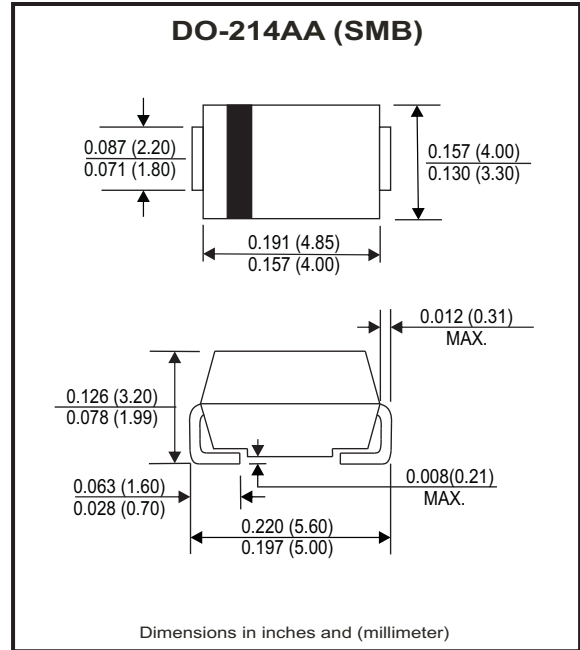


Features

- Low Profile surface mount applications in order to optimize board space.
- Low power loss, high efficiency.
- High current capability, low forward voltage drop.
- High surge capability.
- Guard ring for overvoltage protection.
- Ultra high-speed switching.
- Silicon epitaxial planar chip, metal silicon junction.

Mechanical data

- Epoxy: UL94-V0 rate flame retardant.
- Case: Molded plastic, DO-214AA / SMB
- Terminals: solderable per MIL-STD-750, method 2026.
- Polarity: Indicated by cathode band.
- weight: 0.091 grams



Maximum Ratings and Electrical Characteristics

Ratings at Ta=25°C unless otherwise noted.
Single phase, half wave, 60Hz, resistive or inductive loaded.
For capacitive load, derate current by 20% .

| Parameter | Symbol | CDBB 240-HF | CDBB 260-HF | CDBB 2100-HF | Units |
|--|------------------|-------------|-------------|--------------|-------|
| Max. Repetitive peak reverse voltage | V _{RRM} | 40 | 60 | 100 | V |
| Max. DC blocking voltage | V _{DC} | 40 | 60 | 100 | V |
| Max. RMS voltage | V _{RMS} | 28 | 42 | 70 | V |
| Max. instantaneous forward voltage @2.0A, T _A =25°C | V _F | 0.50 | 0.70 | 0.81 | V |
| Operating Temperature | T _J | -50 to +150 | | | °C |

| Parameter | Conditions | Symbol | MIN. | TYP. | MAX. | Units |
|----------------------------|--|------------------|------|------|------|-------|
| Forward rectified current | see Fig.1 | I _o | | | 2.0 | A |
| Forward surge current | 8.3ms single half sine-wave superimposed on rate load (JEDEC method) | I _{FSM} | | | 50 | A |
| Reverse Current | V _R =V _{RRM} T _A =25°C | I _R | | | 0.5 | mA |
| | V _R =V _{RRM} T _A =100°C | I _R | | | 20 | mA |
| Thermal Resistance | Junction to ambient | R _{θJA} | | 50 | | °C/W |
| Diode Junction capacitance | f=1MHz and applied 4V DC reverse Voltage | C _J | | 30 | | pF |
| Storage temperature | | T _{STG} | -50 | | +175 | °C |

Company reserves the right to improve product design , functions and reliability without notice.

REV: D

RATING AND CHARACTERISTIC CURVES (CDBB240-HF Thru. CDBB2100-HF)

Fig.1 - Typical Forward Current Derating Curve

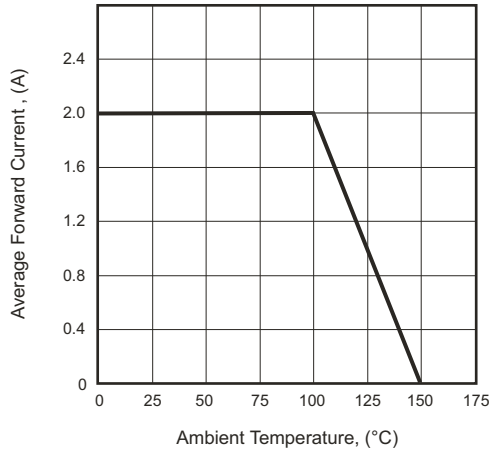


Fig.2 - Typical Forward Characteristics

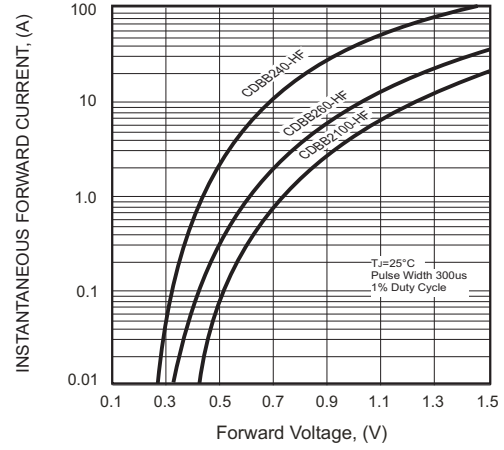


Fig.3 - Maximum Non-repetitive Forward Surge Current

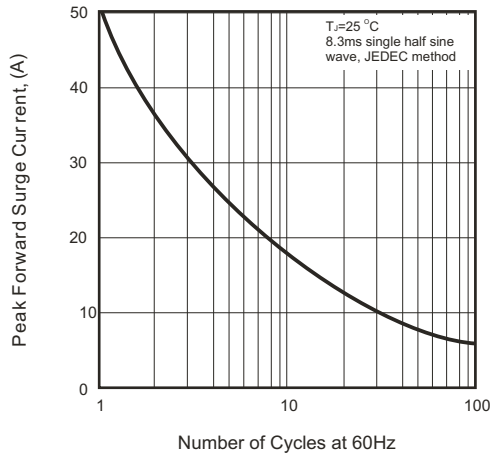


Fig.4 - Typical Junction Capacitance

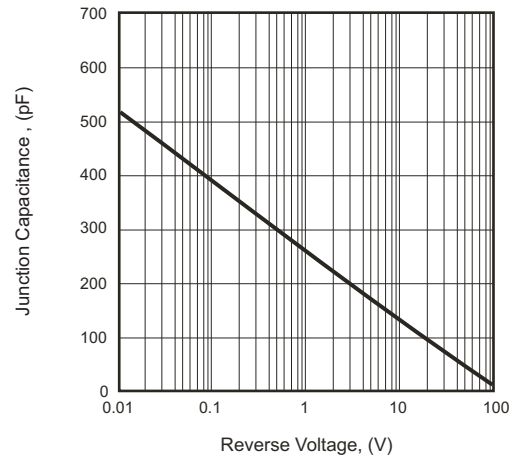
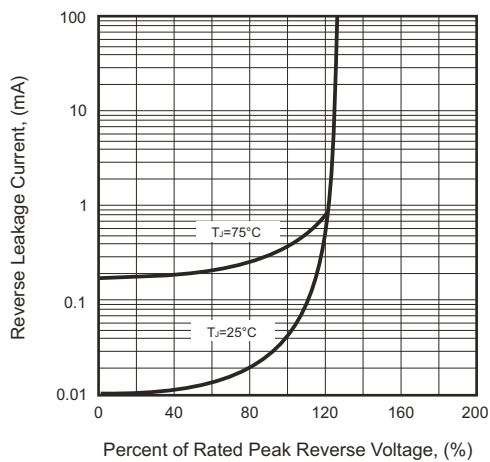
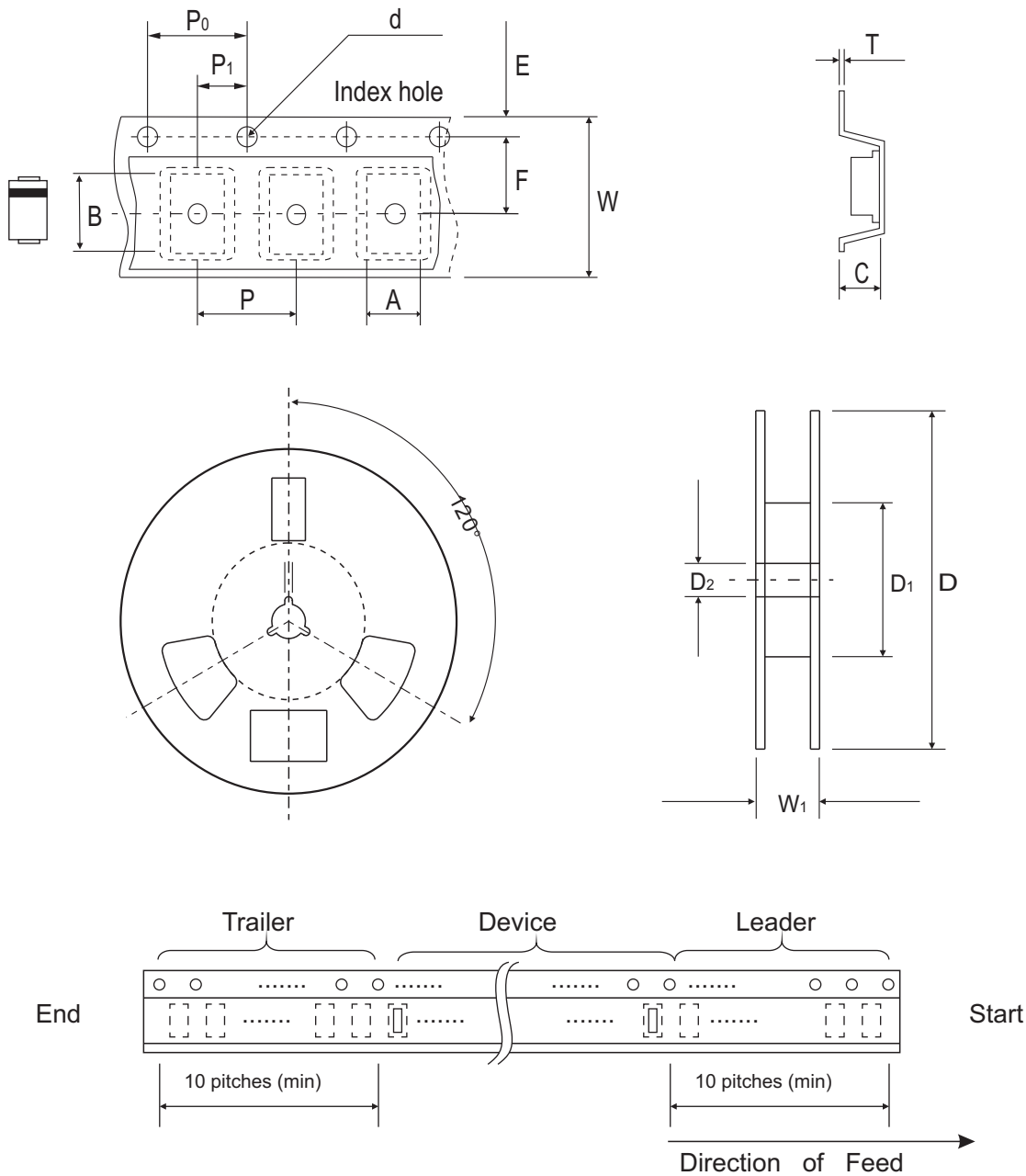


Fig.5 - Typical Reverse Characteristics



Company reserves the right to improve product design, functions and reliability without notice.

Reel Taping Specification



| DO-214AA (SMB) | SYMBOL | A | B | C | d | D | D ₁ | D ₂ |
|-------------------|--------|---------------|---------------|---------------|---------------|---------------|----------------|----------------|
| | (mm) | 4.00 ± 0.10 | 5.90 ± 0.10 | 3.00 ± 0.10 | 1.50 ± 0.10 | 330 ± 2.00 | 50.0 MIN. | 13.50 ± 0.50 |
| | (inch) | 0.157 ± 0.004 | 0.232 ± 0.004 | 0.118 ± 0.004 | 0.059 ± 0.004 | 12.99 ± 0.079 | 1.969 MIN. | 0.531 ± 0.020 |

| DO-214AA (SMB) | SYMBOL | E | F | P | P ₀ | P ₁ | T | W | W ₁ |
|-------------------|--------|---------------|---------------|---------------|----------------|----------------|---------------|---------------|----------------|
| | (mm) | 1.75 ± 0.10 | 5.50 ± 0.10 | 8.00 ± 0.10 | 4.00 ± 0.10 | 2.00 ± 0.10 | 0.60 ± 0.10 | 12.0 ± 0.30 | 18.4 ± 1.00 |
| | (inch) | 0.069 ± 0.004 | 0.217 ± 0.004 | 0.315 ± 0.004 | 0.157 ± 0.004 | 0.079 ± 0.004 | 0.236 ± 0.004 | 0.472 ± 0.012 | 0.724 ± 0.040 |

Company reserves the right to improve product design, functions and reliability without notice.

REV: D