

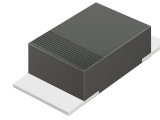
CDBMT240-HF Thru. CDBMT2200-HF

Reverse Voltage: 40 to 200 Volts

Forward Current: 2.0 Amp

RoHS Device

Halogen Free

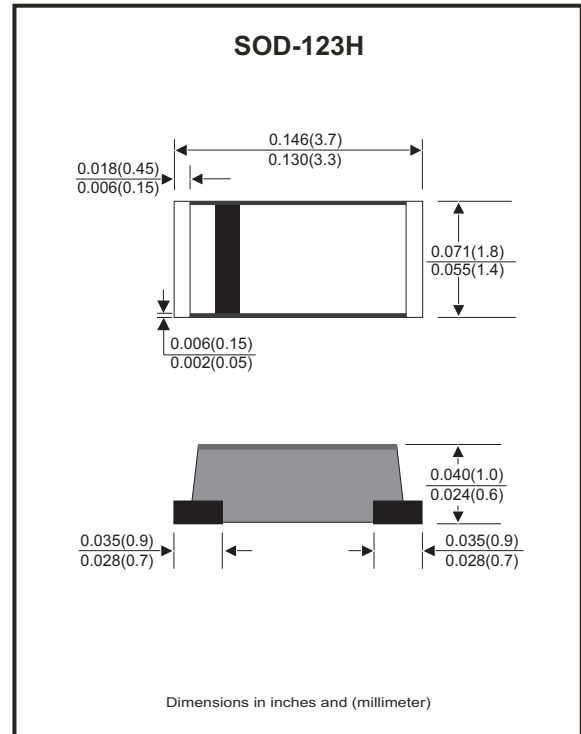


Features

- Batch process design, excellent power dissipation offers better reverse leakage current and thermal resistance.
- Low profile surface mounted application in order to optimize board space.
- Tiny plastic SMD package.
- Low power loss, high efficiency.
- High current capability, low forward voltage drop.
- High surge capability.
- Guardring for overvoltage protection.
- Ultra high-speed switching.
- Silicon epitaxial planar chip, metal silicon junction.
- Lead-free parts meet environmental standards of MIL-STD-19500 /228

Mechanical data

- Epoxy: UL94V0 rated flame retardant.
- Case: Molded plastic, SOD-123H/MINI SMA
- Terminals: Solderable per MIL-STD-750, Method 2026.
- Polarity: Indicated by cathode band.
- Mounting Position: Any
- Weight: 0.011 grams approx.



Maximum Ratings and Electrical Characteristics (at T_A=25°C unless otherwise noted)

Parameter	Symbol	CDBMT 240-HF	CDBMT 260-HF	CDBMT 2100-HF	CDBMT 2150-HF	CDBMT 2200-HF	Units
Repetitive peak reverse voltage	V _{RRM}	40	60	100	150	200	V
RMS voltage	V _{RMS}	28	42	70	105	140	V
Continuous reverse voltage	V _R	40	60	100	150	200	V
Max. forward voltage @I _F =2.0A	V _F	0.50	0.70	0.85	0.90	0.92	V
Operating Temperature	T _J	-55 to +125	-55 to +150				°C

Parameter	Conditions	Symbol	MIN.	TYP.	MAX.	Units
Forward rectified current	see Fig.1	I _O			2.0	A
Forward surge current	8.3ms single half sine-wave superimposed on rate load (JEDEC method)	I _{FSM}			50	A
Reverse Current	V _R =V _{RRM} T _J =25°C	I _R			0.5	mA
	V _R =V _{RRM} T _J =100°C	I _R			10	mA
Thermal resistance	Junction to ambient	R _{θJA}		85		°C/W
Diode Junction capacitance	f=1MHz and applied 4V DC reverse Voltage	C _J		160		pF
Storage temperature		T _{STG}	-65		+175	°C

Note 1: f=1MHz and applied 4V DC reverse voltage.

Rating and Characteristic Curves (CDBMT240-HF Thru. CDBMT2200-HF)

Fig.1 - Typical forward current derating curve

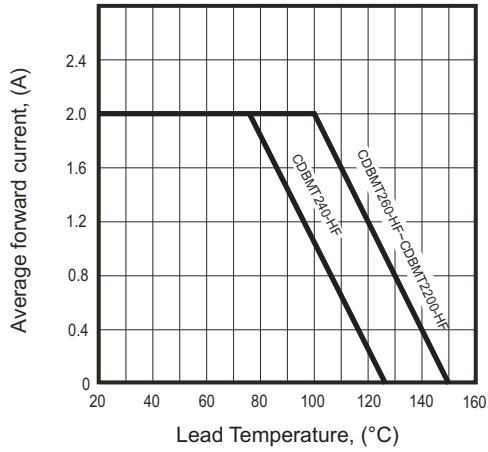


Fig.2 - Typical forward characteristics

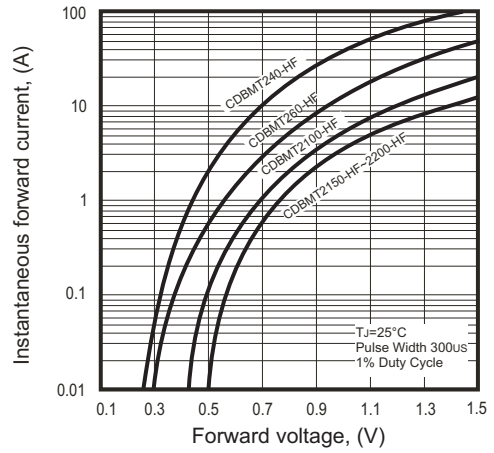


Fig.3 - Maximum Non-repetitive Forward Surge Current

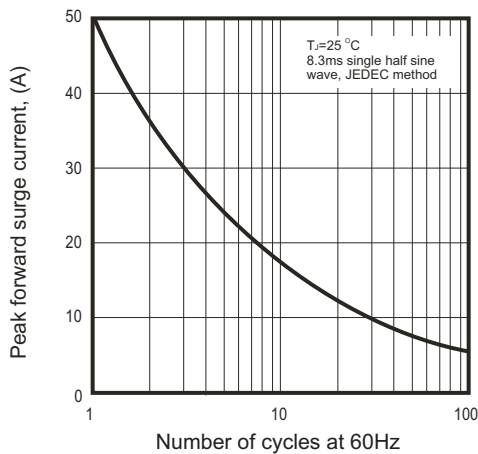


Fig.4 - Typical Junction Capacitance

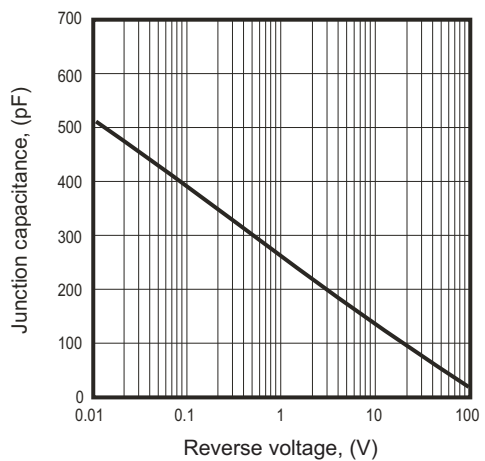
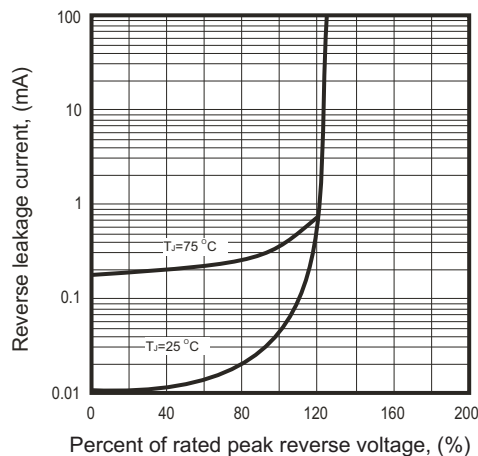
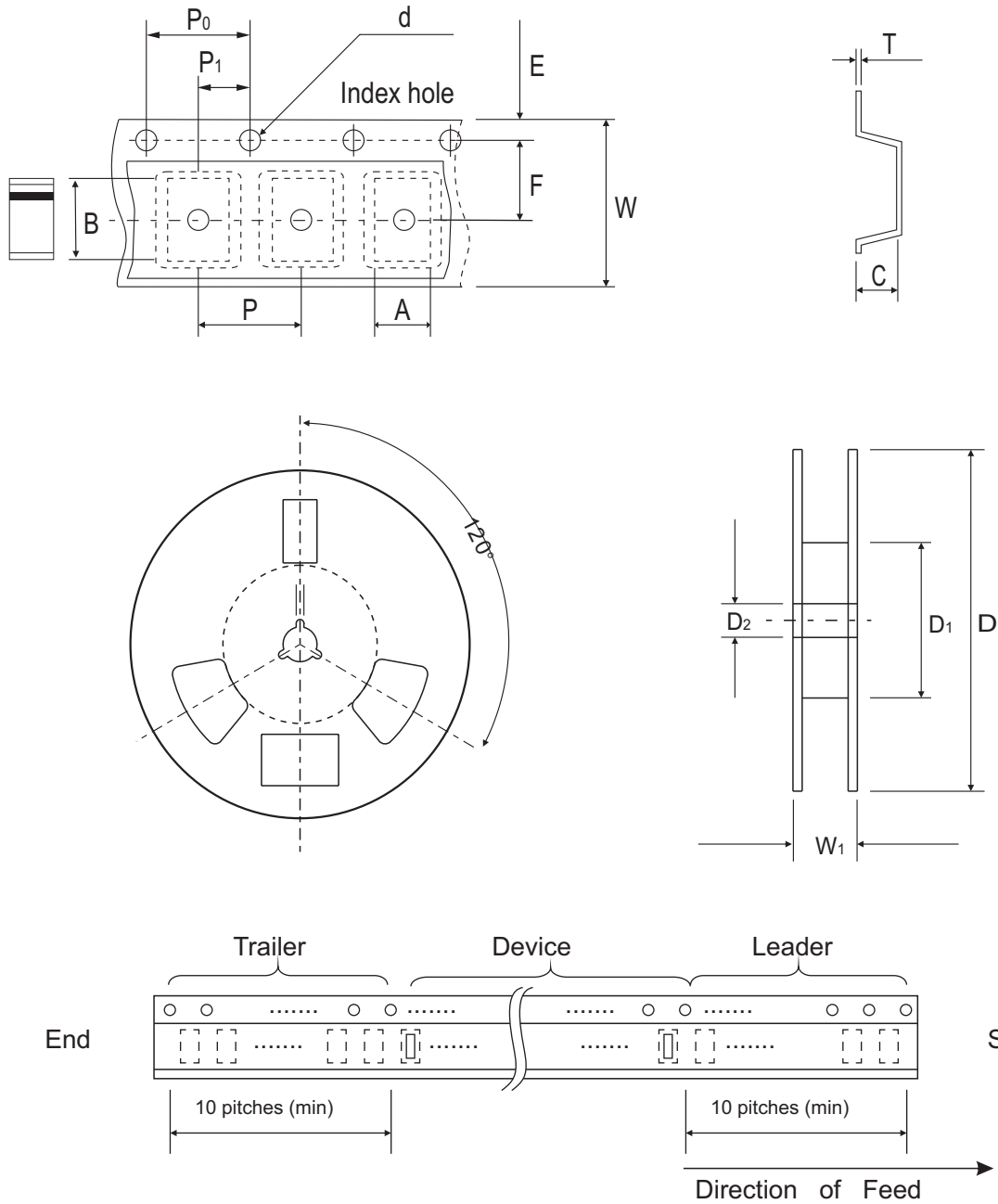


Fig.5 - Typical reverse characteristics



Reel Taping Specification



SOD-123H	SYMBOL	A	B	C	d	D	D1	D2
	(mm)	2.00 ± 0.10	3.85 ± 0.10	1.10 ± 0.10	1.50 ± 0.10	178.00 ± 2.00	62.00 (min)	13.00 ± 0.50
	(inch)	0.079 ± 0.004	0.152 ± 0.004	0.043 ± 0.004	0.059 ± 0.004	7.007 ± 0.079	2.441 (min)	0.512 ± 0.020

SOD-123H	SYMBOL	E	F	P	P0	P1	T	W	W1
	(mm)	1.75 ± 0.10	3.50 ± 0.10	4.00 ± 0.10	4.00 ± 0.10	2.00 ± 0.10	0.23 ± 0.10	8.00 ± 0.30	11.40 ± 1.00
	(inch)	0.069 ± 0.004	0.138 ± 0.004	0.157 ± 0.004	0.157 ± 0.004	0.079 ± 0.004	0.009 ± 0.04	0.315 ± 0.012	0.449 ± 0.039