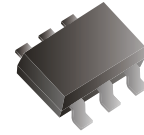


CDBV6-00340TI-G

Forward Current: 30mA
Reverse Voltage: 40V
RoHS Device

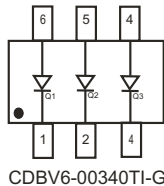
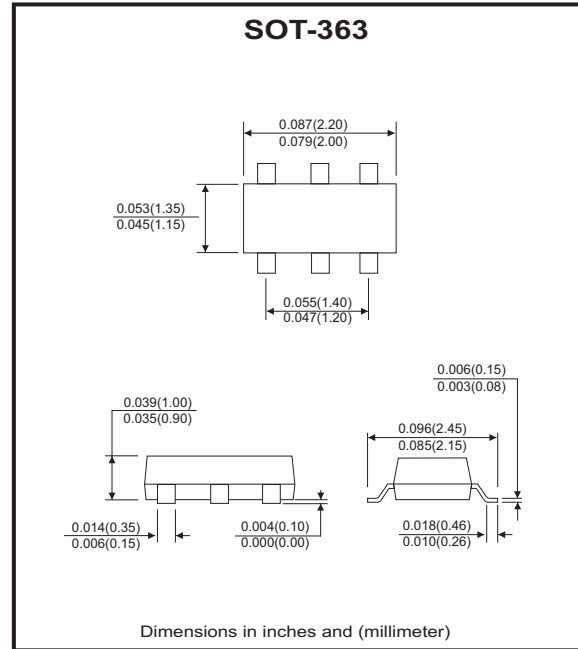


Features

- Low forward voltage drop.
- Fast switching.
- Ultra-small surface mount package.
- PN junction guard ring for transient and ESD protection.
- Available in lead Free version.

Mechanical data

- Case: SOT-363, Molded Plastic
- Case material: UL 94V-0 flammability retardant classification.
- Terminals: Solderable per MIL-STD-202, Method 208
- Marking: Orientation: See diagrams below
- Weight: 0.006 grams (approx.)
- Marking: 731



*Symmetrical configuration, no orientation indicator.

Maximum Ratings (at Ta=25°C unless otherwise noted)

Parameter	Symbol	Limits	Unit
Peak repetitive reverse voltage	V_{RM}	40	V
DC blocking voltage	V_R	40	V
Forward continuous current	I_F	30	mA
Forward surge current (Note 1) @t<1.0s	I_{FSM}	200	mA
Operation and storage temperature range	T_J	125	°C
Operation and storage temperature range	T_{STG}	-40 ~ +125	°C

Electrical Characteristics (at Ta=25°C unless otherwise noted)

Parameter	Conditions	Symbol	Min	Typ	Max	Unit
Forward voltage	$I_F=1mA$	V_F			0.37	V
Reverse leakage current	$V_R=10V$	I_R			1	μA
Total capacitance	$V_R=1.0V, f=1.0MHz$	C_T		2		pF

Notes1 : 60HZ * 1 Cyc.

ELECTRICAL CHARACTERISTIC CURVES (CDBV6-00340TI-G)

Fig.1 Forward Characteristics

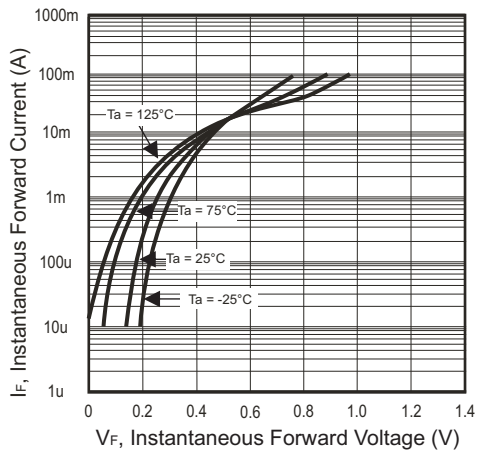


Fig.2 Reverse Characteristics

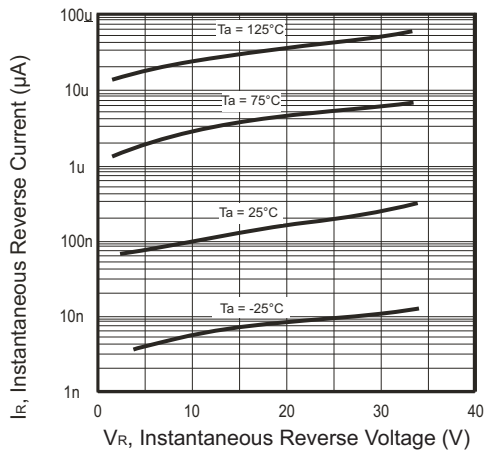
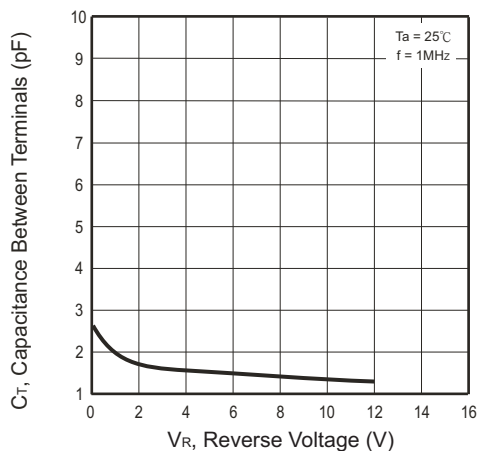
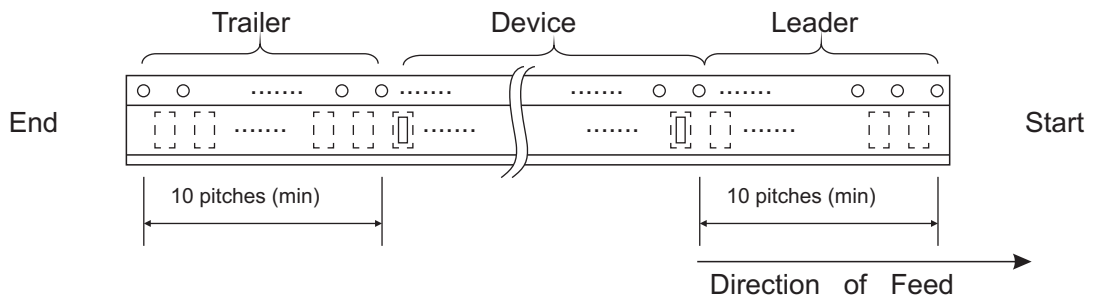
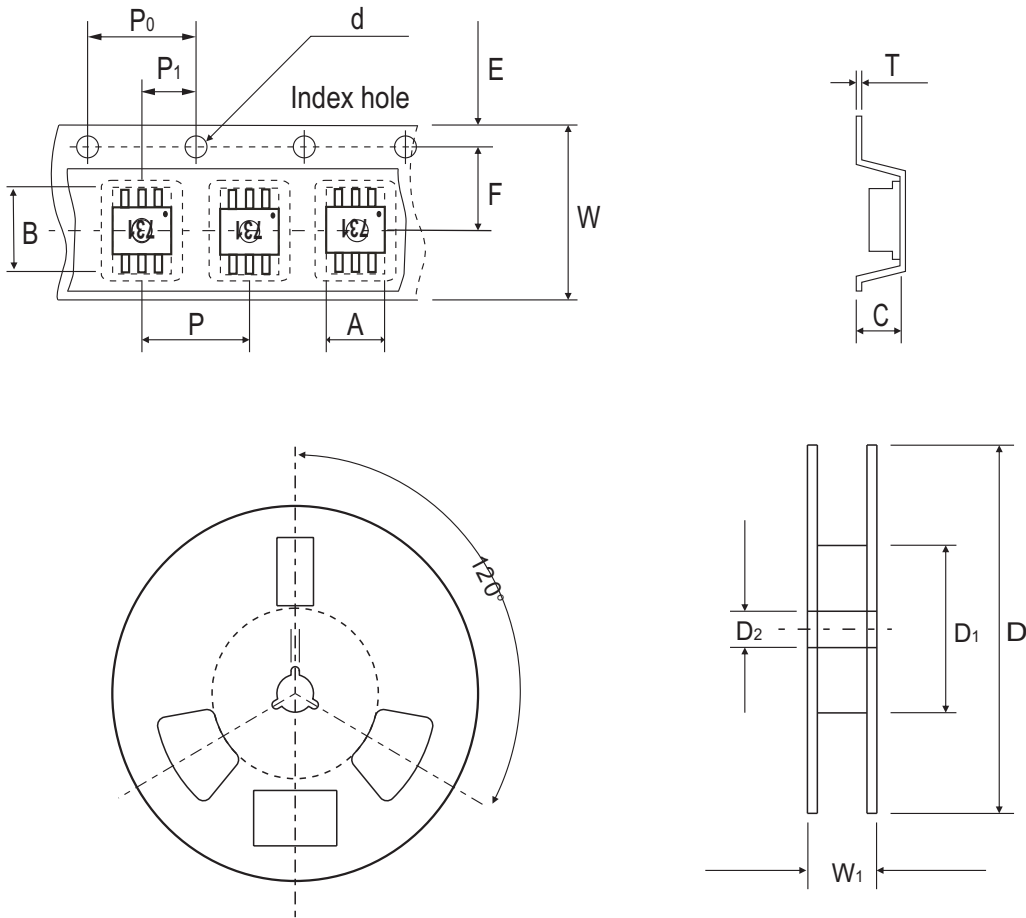


Fig.3 Capacitance Between Terminals Characteristics



Reel Taping Specification



SOT-363	SYMBOL	A	B	C	d	D	D ₁	D ₂
	(mm)	2.25 ± 0.05	2.55 ± 0.05	1.20 ± 0.05	1.50 ± 0.10	178 ± 2	50.40 ± 1.00	13.00 ± 1.00
	(inch)	0.089 ± 0.002	0.100 ± 0.002	0.047 ± 0.002	0.059 ± 0.004	7.008 ± 0.079	0.059 ± 0.004	0.512 ± 0.039

SOT-363	SYMBOL	E	F	P	P ₀	P ₁	W	W ₁
	(mm)	1.75 ± 0.10	3.50 ± 0.10	4.00 ± 0.10	4.00 ± 0.10	2.00 ± 0.10	8.00 + 0.30 / - 0.10	12.30 ± 1.0
	(inch)	0.069 ± 0.004	0.138 ± 0.004	0.157 ± 0.004	0.157 ± 0.004	0.079 ± 0.004	0.315 + 0.012 / - 0.004	0.484 ± 0.039