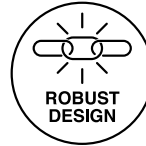


CDLB Series .236" (6.0mm) LED Indicator, IP67 sealed and Vandal Resistant



Long-body LED indicator fits thick panels, Prominent bezel style for increased visibility - IP67 rated



Applications

- Main Power Indication
- Machine Tools
- Civil Engineering Vehicles
- Maritime, Oil and Gas Industry
- Automation and Control
- Status indication
- Professional Electrical Appliance
- Instrumentation
- Aircraft/Military Instrumentation

Key Features

- For panel hole diameter: 0.236" (6.0mm)
- Prominent bezel style LED indicator for increased visibility (3mm LED T-1)
- Long-body indicator (longer threads) which fit thicker panels up to .256" (6.5mm)
- Available in nickel-plated brass housing
- Available with ultra bright daylight viewing LEDs.
- Designed for the extreme, harsh and outdoor environment
- Sealed against moisture and dust (IP67)
- Optional resistor for 5V-28VDC and 120VAC
- Offered with 6" 24 AWG wire leads or bi-pins
- Available in five single illumination colors: red, green, yellow, blue, and white
- Viewing angle: 25°-60° (depending on model)
- Mounting hardware provided: lock washer, hex nut and gasket seal
- Thread size: M6*0.75mm
- Mounting torque: with sealing gasket 1.0 ± 0.2 in-lb (0.11 ± 0.02 N*m), without sealing gasket 1.3 ± 0.2 in-lb (0.14 ± 0.02 N*m)
- Resistant to vandal, shock and vibration
- Life Expectancy: 50,000 hours average
- For custom cable length, voltage, connectors, finish or colors, contact VCC
- RoHS and REACH Compliant

Ordering Data

Series		Terminal		LED Specifications	Resistor Code	Sealing	
CDLB		1		2702	9908	I	
CDLB	Long nickel finish	0	Bi-Pins	See Chart for LED Part Number	See Chart for Resistor Value Code	I	IP67
*BDLB	Long black finish	1	Leads				

*Contact VCC for black matte finish



Example:

CDLB-1-2702-9908-I

CDLB Nickel Finish, Wire Leads, Super Ultra Bright Red LED 12 Volt, IP67

LED Specification Chart Electrical and Optical Characteristics (TA = 25°C)

LED Part Numbers	Color	Luminous Intensity (mcd) Typ. @ IF (mA)	VF Typ. @ IF (mA)	Viewing Angle (2θ ^{1/2})	Peak Wavelength (nm)
------------------	-------	---	-------------------	------------------------------------	----------------------

ULTRA BRIGHT - DAYLIGHT READABLE

2702	Red	299.0	20	1.85	20	60°	660
2700	Green	199.0	20	2.1	20	60°	574
2701	Yellow	219.0	20	2.0	20	60°	590
8711	Blue	2300.0	20	3.5	20	25°	470
8712	White	250.0	20	3.6	20	30°	N/A

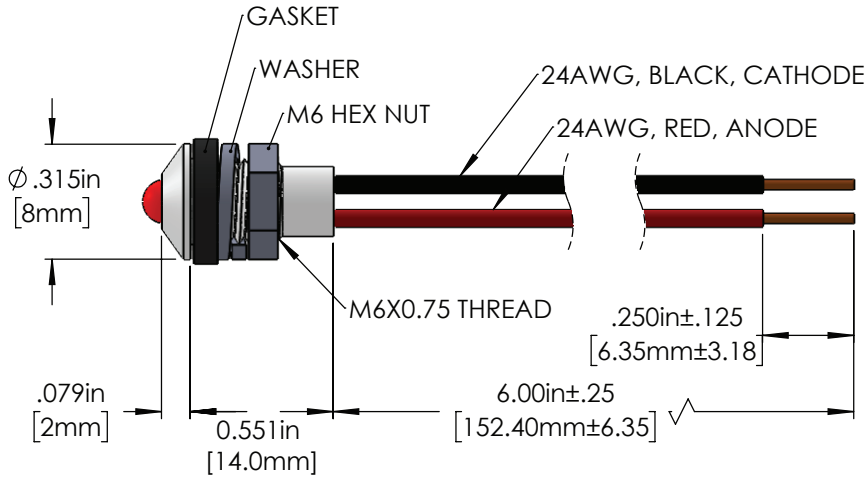
Resistor Chart Operating Specification

Resistor Value Code	Voltage	Current (mA)	Resistor Value (Ohms) Green, Yellow Red, Bicolor LED	Resistor Value (Ohms) Blue, White LED
---------------------	---------	--------------	--	---------------------------------------

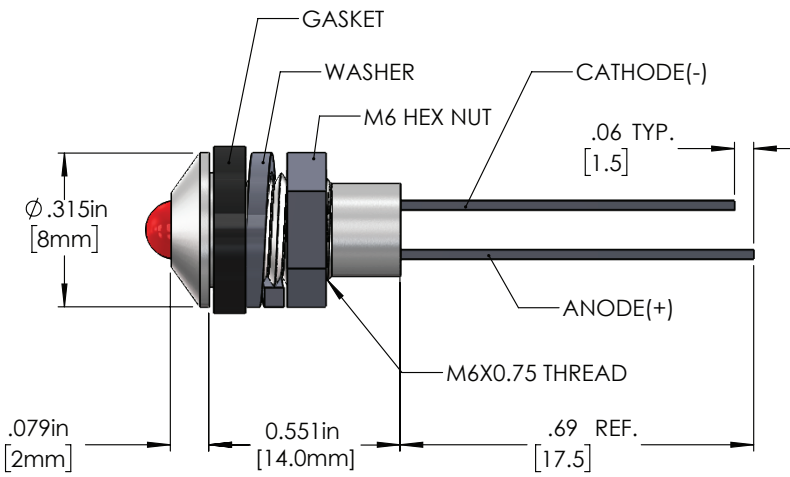
9907	5	20	150	
9922	5	20		65
9908	12	20	511	
9909	12	20		357
9910	24	20	1100	
9911	24	20		953
9923	28	20	1500	
9933	28	20		1300
9920	120VAC	8	6490	Contact VCC

Product Dimensions

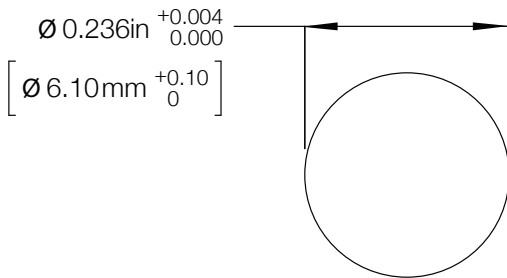
CDLB Series Wire Leads



CDLB Series Bi-Pins



Recommended Mounting Hole



Notes:

1. All dimensions are in inches [millimeters]
2. Tolerance is $\pm[0.25] 0.01$ unless otherwise noted.
3. The specifications, characteristics and technical data described in the datasheet are subject to change without prior notice.