

- 1N5819UR-1 AND 1N6761UR-1 AVAILABLE IN JAN, JANTX, JANTXV AND JANS PER MIL-PRF-19500/586
- 1 AMP SCHOTTKY BARRIER RECTIFIERS
- HERMETICALLY SEALED
- LEADLESS PACKAGE FOR SURFACE MOUNT
- METALLURGICALLY BONDED

CDLL6759 thru CDLL6761  
and  
CDLL1A20 thru CDLL1A100  
and  
1N5819UR  
and  
CDLL5817 thru CDLL5819

## MAXIMUM RATINGS

Operating Temperature: -55°C to +125°C  
Storage Temperature: -55°C to +150°C  
Average Rectified Forward Current: 1.0 AMP @ $T_{EC} = +55^{\circ}C$   
Derating: 14 mA / °C above  $T_{EC} = +55^{\circ}C$

ELECTRICAL CHARACTERISTICS @ 25°C, unless otherwise specified.

CDI TYPE NUMBER	WORKING PEAK REVERSE VOLTAGE	MAXIMUM FORWARD VOLTAGE			MAXIMUM REVERSE LEAKAGE CURRENT AT RATED VOLTAGE		
		$V_{RWM}$	$V_F @ 0.1A$	$V_F @ 1.0A$	$V_F @ 3.1A$	$I_R @ +25^{\circ}C$	$I_R @ +100^{\circ}C$
		VOLTS	VOLTS	VOLTS	VOLTS	mA	mA
CDLL5817	20	0.36	0.60	0.9	0.1	5.0	
CDLL5818	30	0.36	0.60	0.9	0.1	5.0	
CDLL5819	40	0.36	0.60	0.9	0.1	5.0	
J,JX,JV & JS 5819UR-1	45	0.34	0.49	0.8	0.05	5.0	
CDLL6759	60	0.38	0.69	N/A	0.1	6.0	
CDLL6760	80	0.38	0.69	N/A	0.1	6.0	
CDLL6761	100	0.38	0.69	N/A	0.1	6.0	
J,JX,JV & JS 6761UR-1	100	0.38	0.69	N/A	0.10	12.0	
CDLL1A20	20	0.36	0.60	0.9	0.1	5.0	
CDLL1A30	30	0.36	0.60	0.9	0.1	5.0	
CDLL1A40	40	0.36	0.60	0.9	0.1	5.0	
CDLL1A50	50	0.36	0.60	0.9	0.1	5.0	
CDLL1A60	60	0.38	0.69	N/A	0.1	12.0	
CDLL1A80	80	0.38	0.69	N/A	0.1	12.0	
CDLL1A100	100	0.38	0.69	N/A	0.1	12.0	

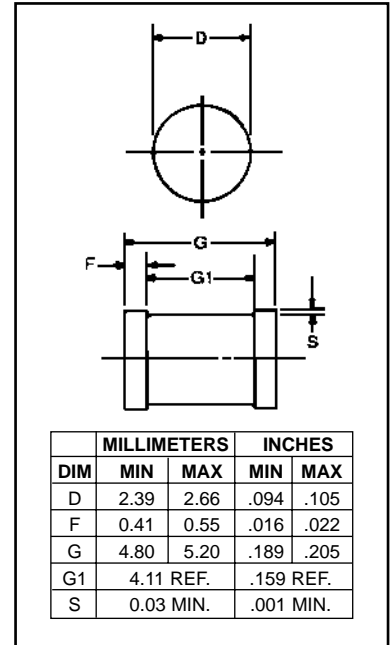


FIGURE 1

## DESIGN DATA

**CASE:** DO-213AB, Hermetically sealed glass case. (MELF, LL41)

**LEAD FINISH:** Tin / Lead

**THERMAL RESISTANCE:** ( $R_{\theta JC}$ ):  
40 °C/W maximum at L = 0 inch

**THERMAL IMPEDANCE:** ( $Z_{\theta JX}$ ): 12  
°C/W maximum

**POLARITY:** Cathode end is banded.

**MOUNTING SURFACE SELECTION:**  
The Axial Coefficient of Expansion (COE) Of this Device is Approximately +6PPM/°C. The COE of the Mounting Surface System Should Be Selected To Provide A Suitable Match With This Device.



**COMPENSATED DEVICES INCORPORATED**

22 COREY STREET, MELROSE, MASSACHUSETTS 02176  
PHONE (781) 665-1071 FAX (781) 665-7379  
WEBSITE: <http://www.cdi-diodes.com> E-mail: [mail@cdi-diodes.com](mailto:mail@cdi-diodes.com)

# CDLL6759 thru CDLL6761 and CDLL1A20 thru CDLL1A100 and CDLL5817 thru CDLL5819

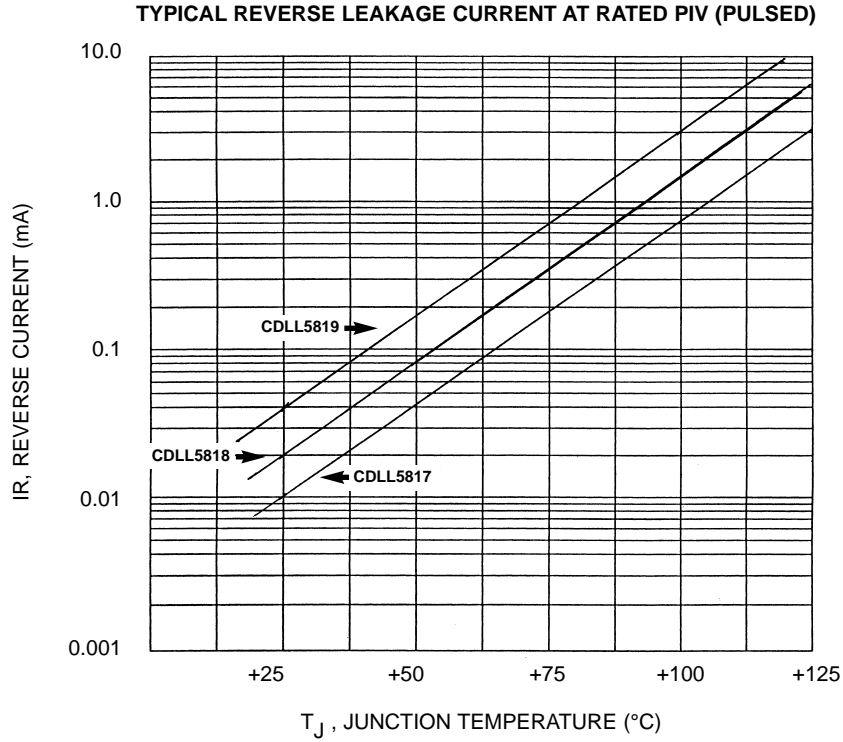


FIGURE 1

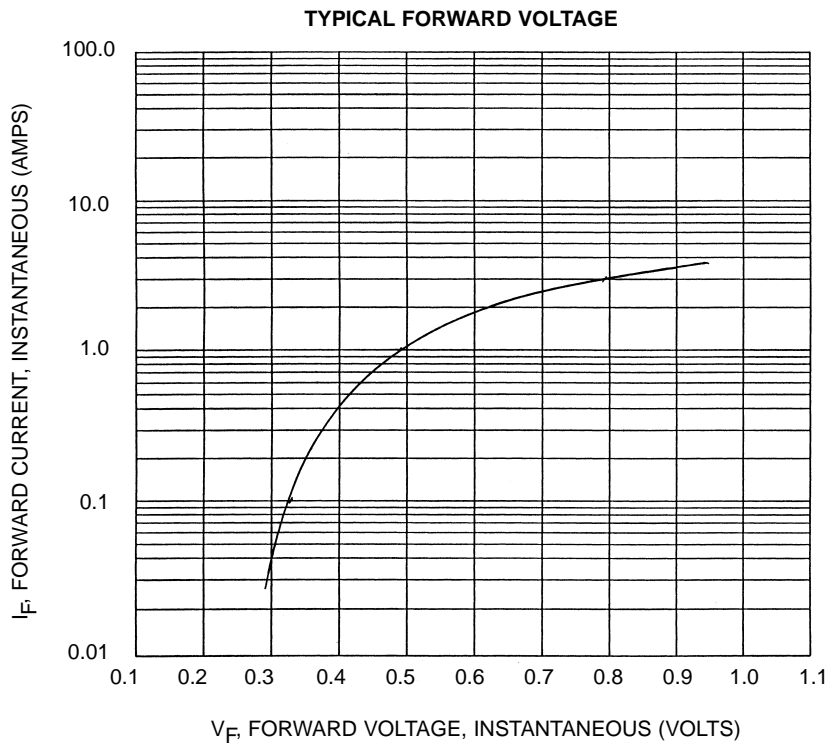


FIGURE 2