

**MODEL:** CDS-1328-16-SP | **DESCRIPTION:** SPEAKER**FEATURES**

- 16 Ohm
- rated 0.2 W
- solder pads

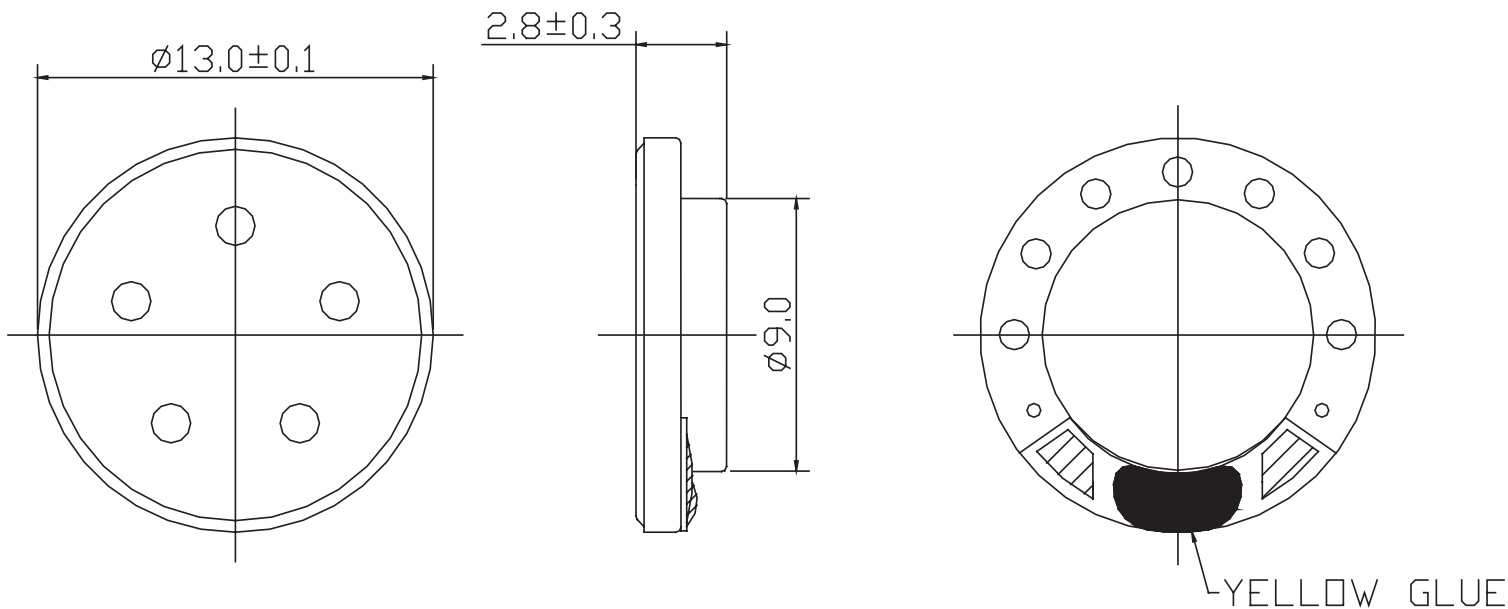
**SPECIFICATIONS**

parameter	conditions/description	min	typ	max	units
input power	max power: 1 minute on, 2 minutes off, 10 cycles		0.2	0.3	W
impedance	at 2.0 kHz, 1.0 V	13.6	16	18.4	$\Omega$
resonant frequency (Fo)	at 1.0 V	880	1,100	1,320	Hz
frequency response		Fo		5,000	Hz
sound pressure level	at 0.1 W, 0.1 m, avg at 0.8, 1.0, 1.2, 1.5 kHz in baffleboard	82	85	88	dB
distortion	at 1.0 kHz, rated power			5	%
buzz, rattle, etc.	must be normal at sine wave, between Fo ~ 5,000 Hz			1.79	V
polarity	cone moves forward w/ positive dc current to "+" terminal				
dimensions	$\varnothing 13 \times 2.8$				mm
magnet	Nd-Fe-B				
frame material	SPCC				
cone material	PET				
terminal	solder pads				
weight			0.8		g
operating temperature		-20		60	$^{\circ}\text{C}$
storage temperature		-30		70	$^{\circ}\text{C}$
hand soldering	for maximum 2 seconds			380	$^{\circ}\text{C}$
RoHS	yes				

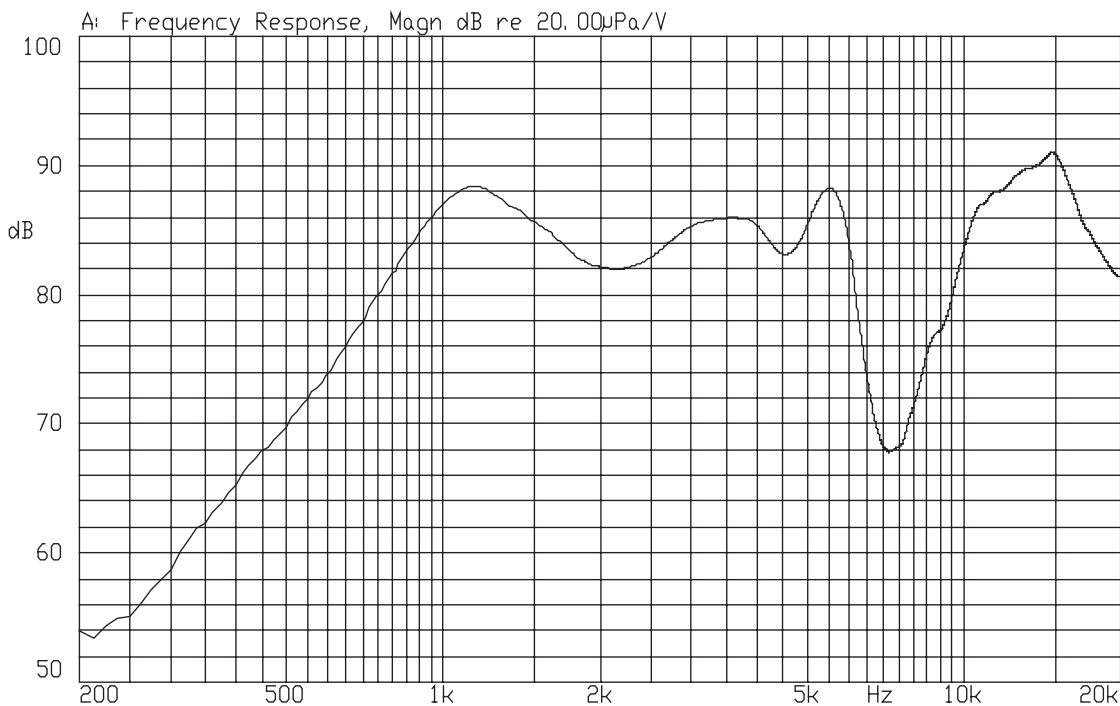
Notes: 1. All specifications measured at 15-35 $^{\circ}\text{C}$ , humidity at 45-85%, under 86-106 kPa pressure, unless otherwise noted.

## MECHANICAL DRAWING

units: mm  
tolerance:  $\pm 0.3$  mm



## FREQUENCY RESPONSE CURVE



## PACKAGING

units: mm

Tray Size: 420 x 270 mm  
 Tray QTY: 200 pcs per tray  
 Carton Size: 430 x 280 x 265 mm  
 Carton QTY: 4,000 pcs per carton

