

MODEL: CDS-2844-32-SP | **DESCRIPTION:** SPEAKER**FEATURES**

- 32 Ohm
- rated 0.25 W
- solder pads

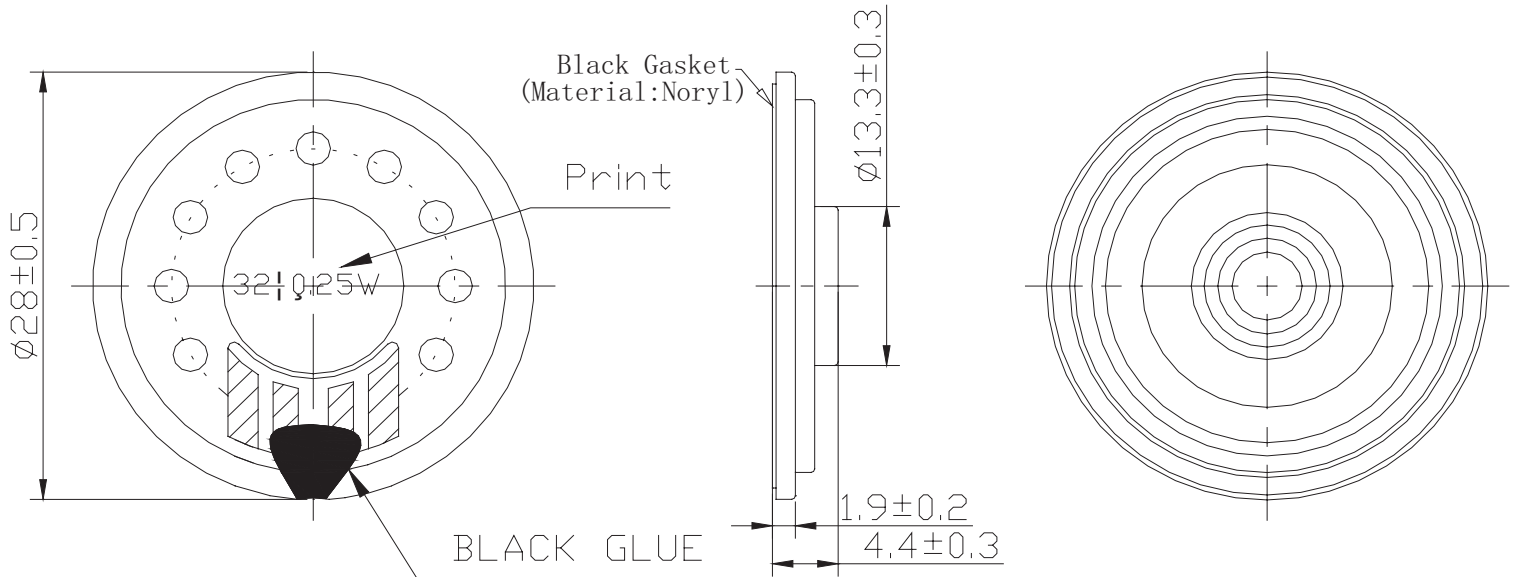
**SPECIFICATIONS**

| parameter | conditions/description | min | typ | max | units |
|-------------------------|---|------|------|-------|--------------------|
| input power | max power: 1 minute on, 2 minutes off, 10 cycles | | 0.25 | 0.5 | W |
| impedance | at 2.0 kHz, 1.0 V | 27.2 | 32 | 36.8 | Ω |
| resonant frequency (Fo) | at 1.0 V | 480 | 600 | 720 | Hz |
| frequency response | | Fo | | 6,500 | Hz |
| sound pressure level | at 0.1 W, 0.1 m, avg at 0.8, 1.0, 1.2, 1.5 kHz in baffleboard | 88 | 91 | 94 | dB |
| distortion | at 1.0 kHz, rated power | | | 5 | % |
| buzz, rattle, etc. | must be normal at sine wave, between 200 ~ 2,000 Hz | | | 2.83 | V |
| polarity | cone moves forward w/ positive dc current to "+" terminal | | | | |
| dimensions | $\varnothing 28 \times 4.4$ | | | | mm |
| magnet | Nd-Fe-B | | | | |
| frame material | SPCC | | | | |
| cone material | PET (black) | | | | |
| terminal | solder pads | | | | |
| weight | | | 4.5 | | g |
| operating temperature | | -20 | | 85 | $^{\circ}\text{C}$ |
| storage temperature | | -30 | | 85 | $^{\circ}\text{C}$ |
| hand soldering | for maximum 2 seconds | | | 380 | $^{\circ}\text{C}$ |
| RoHS | yes | | | | |

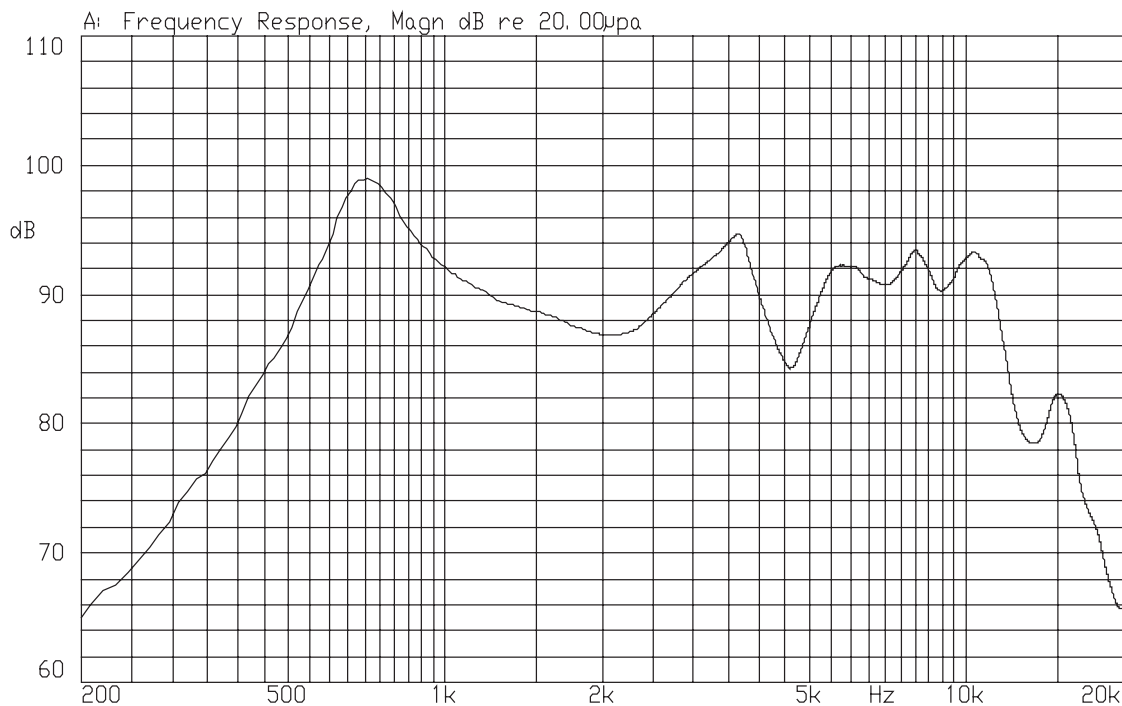
Notes: 1. All specifications measured at 15-35 $^{\circ}\text{C}$, humidity at 45-85%, under 86-106 kPa pressure, unless otherwise noted.

MECHANICAL DRAWING

units: mm
tolerance: ± 0.3 mm



FREQUENCY RESPONSE CURVE



PACKAGING

units: mm

Tray Size: 345 x 255 mm
 Tray QTY: 100 pcs per tray
 Carton Size: 540 x 370 x 450 mm
 Carton QTY: 2,000 pcs per carton

