

MODEL: CDS-4028-16 | **DESCRIPTION:** SPEAKER**FEATURES**

- 16 Ohm
- rated 2.0 W
- solder eyelets

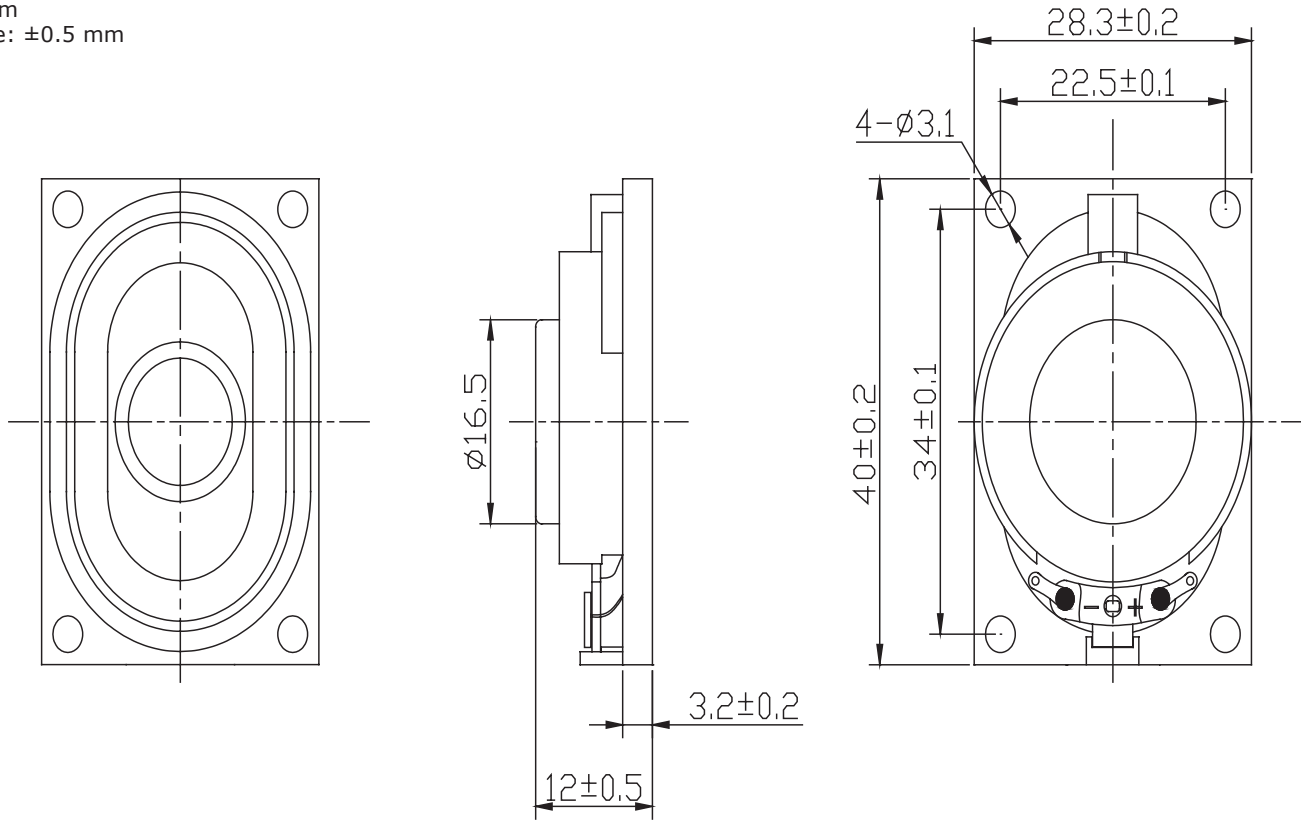
**SPECIFICATIONS**

parameter	conditions/description	min	typ	max	units
input power	max power: 1 minute on, 2 minutes off, 10 cycles		2.0	3.0	W
impedance	at 1.0 kHz, 1.0 V	13.6	16	18.4	Ω
resonant frequency (Fo)	at 1.0 V	360	450	540	Hz
frequency response		200		20,000	Hz
sound pressure level	at 1.0 W, 0.5 m, avg at 0.8, 1.0, 1.2, 1.5 kHz in baffleboard	83	86	89	dB
distortion	at 1.0 kHz, 1.0 V			5	%
buzz, rattle, etc.	must be normal at sine wave, between 200 ~ 2,000 Hz			5.65	V
polarity	cone moves forward w/ positive dc current to "+" terminal				
dimensions	40 x 28.3 x 12.0				mm
magnet	Nd-Fe-B				
frame material	ABS (black)				
cone material	cloth				
terminal	solder eyelets				
weight			15.0		g
operating temperature		-20		50	$^{\circ}\text{C}$
storage temperature		-30		60	$^{\circ}\text{C}$
hand soldering	for maximum 2 seconds			380	$^{\circ}\text{C}$
RoHS	yes				

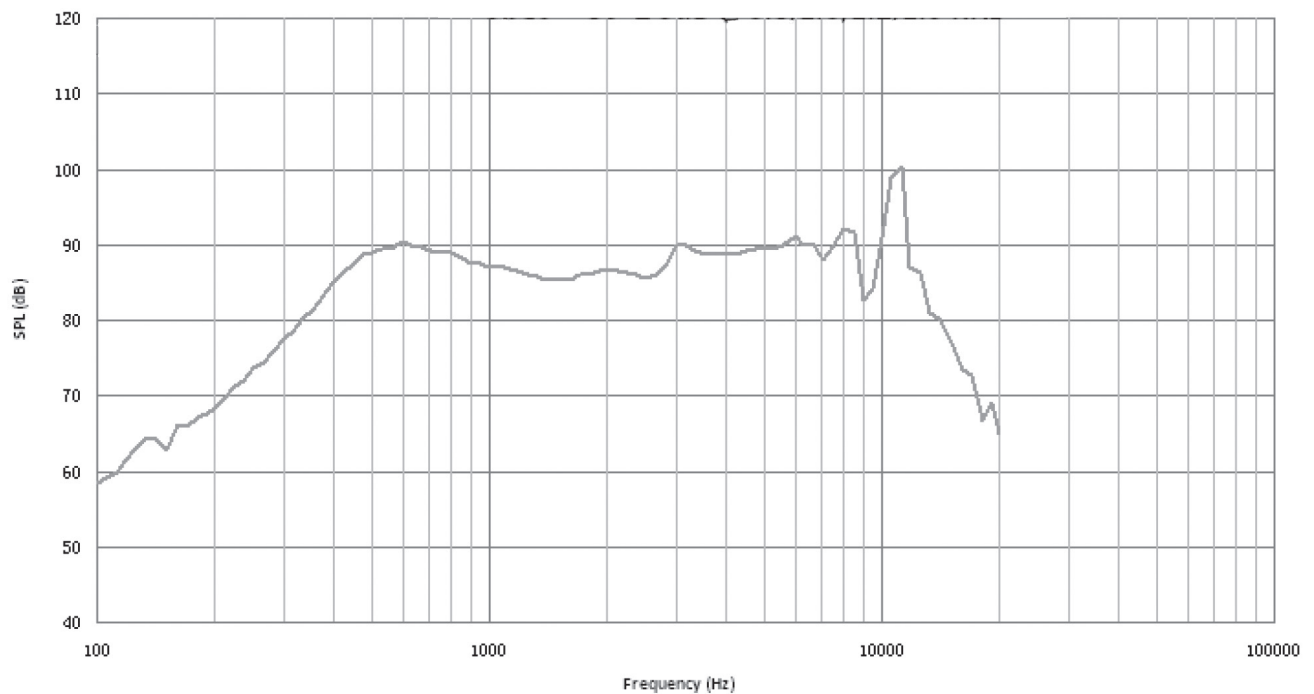
Notes: 1. All specifications measured at 15~35 $^{\circ}\text{C}$, humidity at 45~85%, under 86~106 kPa pressure, unless otherwise noted.

MECHANICAL DRAWING

units: mm
tolerance: ± 0.5 mm



FREQUENCY RESPONSE CURVE



PACKAGING

units: mm

Tray Size: 448 x 313 mm
 Tray QTY: 40 pcs per tray
 Carton Size: 650 x 470 x 205 mm
 Carton QTY: 800 pcs per carton

