

MODEL: CDS-40288 | **DESCRIPTION:** SPEAKER**FEATURES**

- micro-speaker
- wide operating temp range
- 8 ohm impedance

**SPECIFICATIONS**

parameter	conditions/description	min	typ	max	units
input power	maximum power: IEC-60268-5, filter 60s on/120s off, 10 cycles at room temp		6.0	8.0	W
impedance	at 1.5 kHz, 1.0 V	6.8	8	9.2	Ω
resonant frequency (Fo)	at 1.0 V	520	650	780	Hz
frequency response	output SPL \pm 10 dB	Fo		10,000	Hz
sound pressure level	at 1.0 W, 0.5 m ave, at 1.0, 1.2, 1.5, 2.0 kHz	81	84	87	dB
distortion	at 1.0 kHz, 1.0 W			3	%
buzz, rattle, etc.	must be normal at sine wave between Fo \sim 20 kHz		6.9		V
polarity	cone will move forward with positive dc current to "+" terminal				
dimensions	40 x 28.5 x 17.5				mm
magnet	Nd-Fe-B				
material	ABS				
cone material	paper + cloth				
terminal	solder terminals				
weight			29		g
operating temperature		-25		70	$^{\circ}$ C
storage temperature		-40		85	$^{\circ}$ C
RoHS	yes				

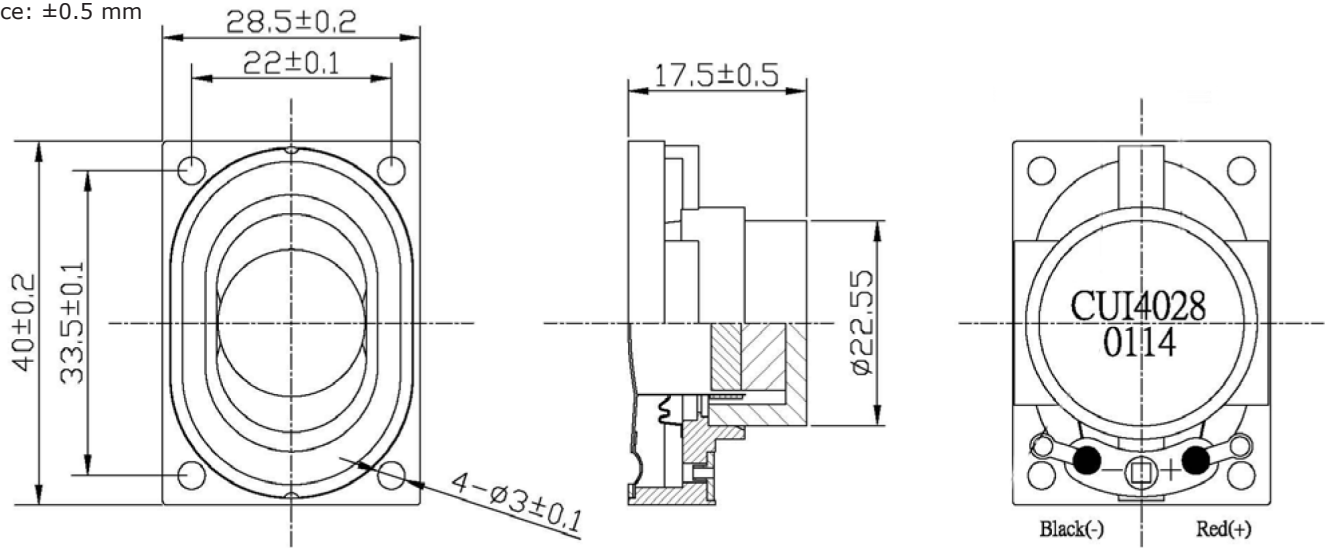
Notes: 1. All specifications measured at 5 \sim 35 $^{\circ}$ C, humidity at 45 \sim 85%, under 86 \sim 106kPa pressure, unless otherwise noted.

SOLDERABILITY

parameter	conditions/description	min	typ	max	units
hand soldering	for 3 \pm 1 seconds	360	370	380	$^{\circ}$ C

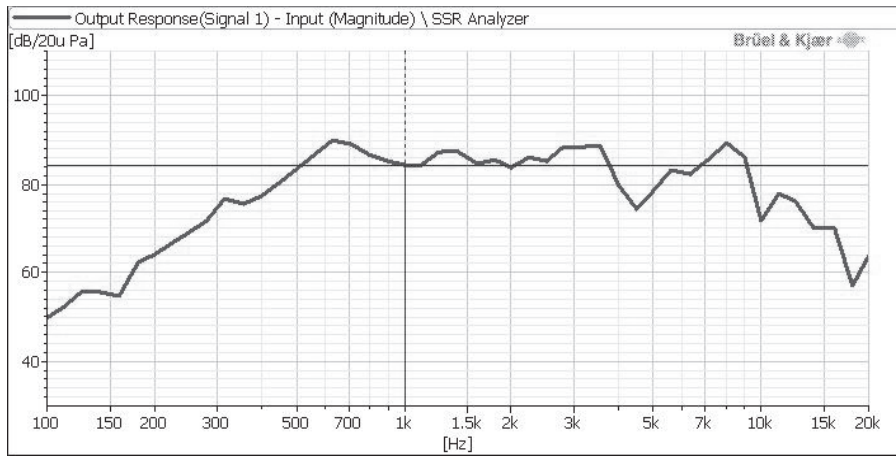
MECHANICAL DRAWING

units: mm
tolerance: ± 0.5 mm



RESPONSE CURVES

Frequency Response Curve



Total Harmonic Distortion Curve

