

MODEL: CDS-4051-32-SP | **DESCRIPTION:** SPEAKER**FEATURES**

- 32 Ohm
- rated 0.25 W
- solder pads

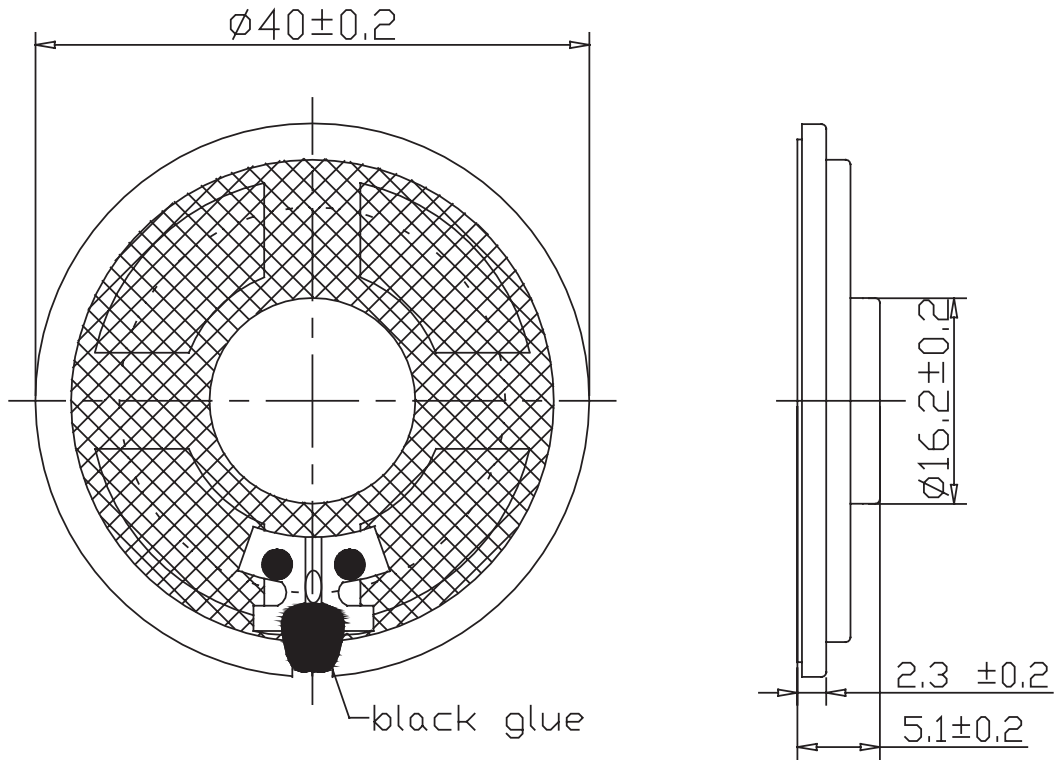
**SPECIFICATIONS**

parameter	conditions/description	min	typ	max	units
input power	max power: 1 minute on, 2 minutes off, 10 cycles		0.25	0.5	W
impedance	at 2.0 kHz, 1.0 V	27.2	32	36.8	Ω
resonant frequency (Fo)	at 1.0 V	480	600	720	Hz
frequency response		Fo		6,000	Hz
sound pressure level	at 0.1 W, 0.1 m, avg at 0.8, 1.0, 1.2, 1.5 kHz in baffleboard	89	92	95	dB
distortion	at 1.0 kHz, rated power			5	%
buzz, rattle, etc.	must be normal at sine wave, between Fo ~ 6,000 Hz			2.83	V
polarity	cone moves forward w/ positive dc current to "+" terminal				
dimensions	$\varnothing 40 \times 5.1$				mm
magnet	Nd-Fe-B				
frame material	SPCC				
cone material	PET (black)				
terminal	solder pads				
weight			9.2		g
operating temperature		-30		60	$^{\circ}\text{C}$
storage temperature		-30		70	$^{\circ}\text{C}$
hand soldering	for maximum 2 seconds			380	$^{\circ}\text{C}$
RoHS	yes				

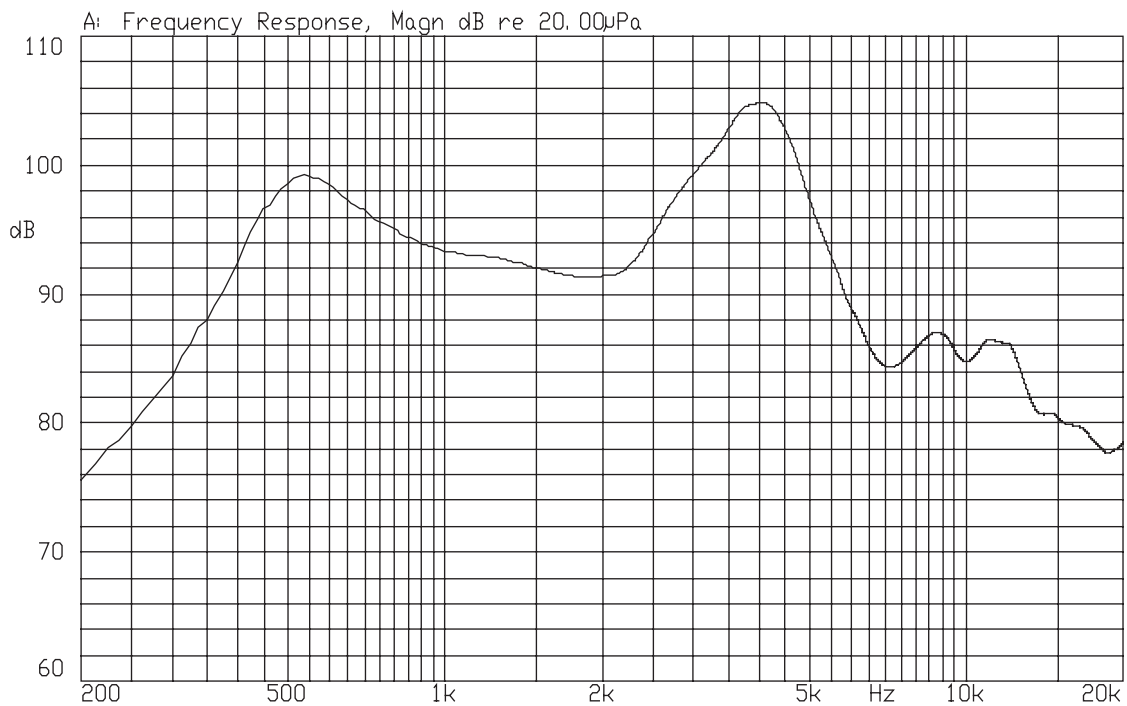
Notes: 1. All specifications measured at 15~35 $^{\circ}\text{C}$, humidity at 45~85%, under 86~106 kPa pressure, unless otherwise noted.

MECHANICAL DRAWING

units: mm
tolerance: ± 0.3 mm



FREQUENCY RESPONSE CURVE



PACKAGING

units: mm

Tray Size: 250 x 240 mm
 Tray QTY: 50 pcs per tray
 Carton Size: 510 x 500 x 270 mm
 Carton QTY: 1,000 pcs per carton

