

SERIES: CDS-4221-44XX | **DESCRIPTION:** SPEAKER**FEATURES**

- double magnet design
- 4 ohm
- 83 dB at 1 m

**SPECIFICATIONS**

parameter	conditions/description	min	typ	max	units
input power			4.0	5.0	W
impedance	at 1 kHz, 2.0 V	3.4	4	4.6	Ω
resonant frequency (Fo)	at 2.0 V	184	230	276	Hz
frequency response		Fo		20,000	Hz
sound pressure level	at 1.0 W, 1 m, 1 kHz	80	83	86	dB
distortion	at 150-200 Hz			20	%
	at 300 Hz			12	%
	at 1 kHz			5	%
buzz, rattle, etc.	must be normal at sine wave between Fo-20 kHz frequency range			2.83	V
polarity	cone moves forward w/ positive dc current to "+" terminal				
dimensions	42.5 x 42.5 x 21.6				mm
magnet	Nd-Fe-B (\varnothing 15.5 x 5 mm, \varnothing 15.5 x 2 mm)				
frame material	SPCC (black)				
cone material	paper (black)				
weight			37.8		g
operating temperature		-20		60	$^{\circ}$ C
storage temperature		-25		70	$^{\circ}$ C
hand soldering	for 3-5 seconds	370	380	390	$^{\circ}$ C
RoHS	yes				

Notes: 1. All specifications measured at 18-22 $^{\circ}$ C, humidity at 65 \pm 5%, 86-106 kPa, unless otherwise noted.

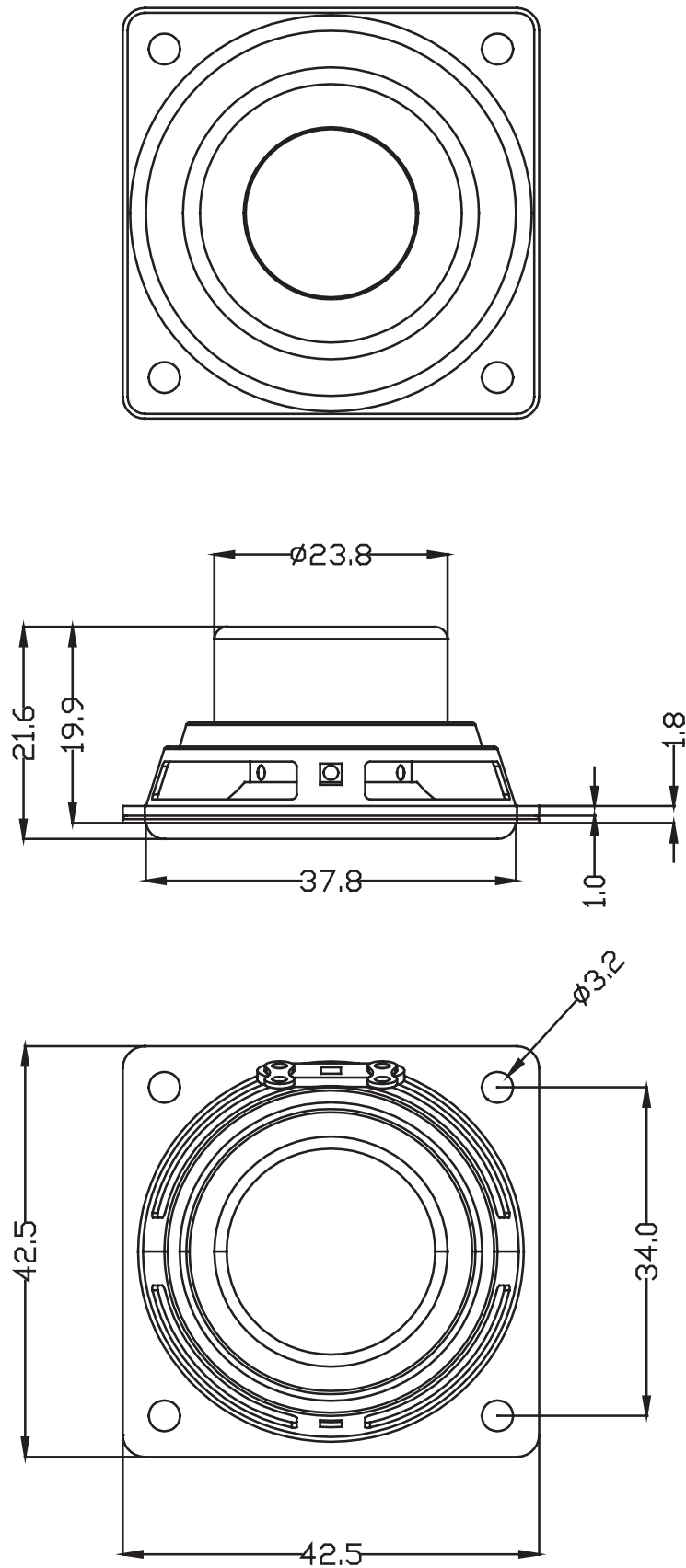
PART NUMBER KEY**CDS - 4221 - 44 XX**

Base Number

 Termination Options:
 SP = solder terminals
 L100 = wire leads

MECHANICAL DRAWING (SOLDER TERMINALS)

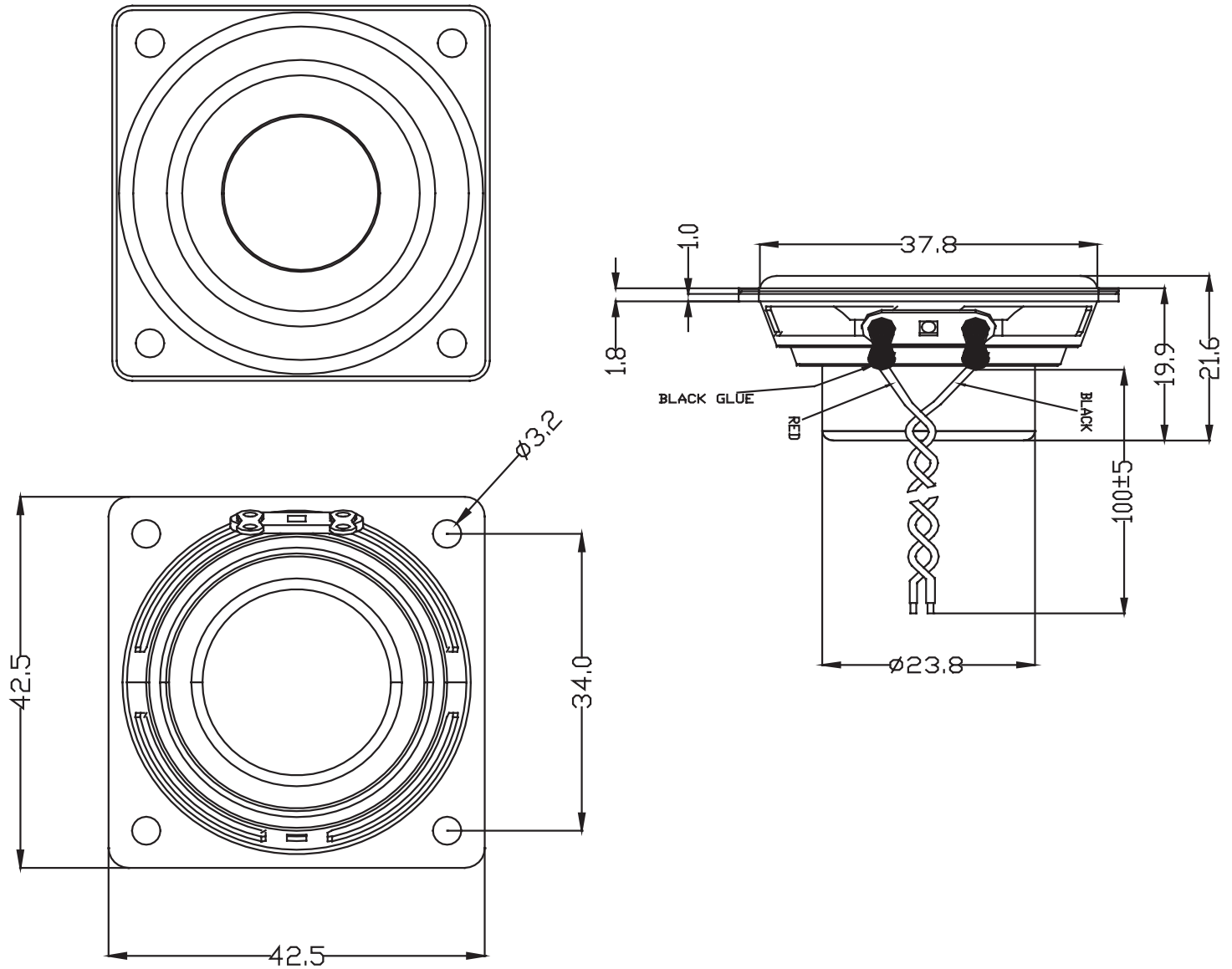
units: mm
tolerance: ± 0.5 mm
unless specified otherwise



MECHANICAL DRAWING (WIRE LEADS)

units: mm
tolerance: ± 0.5 mm
unless specified otherwise

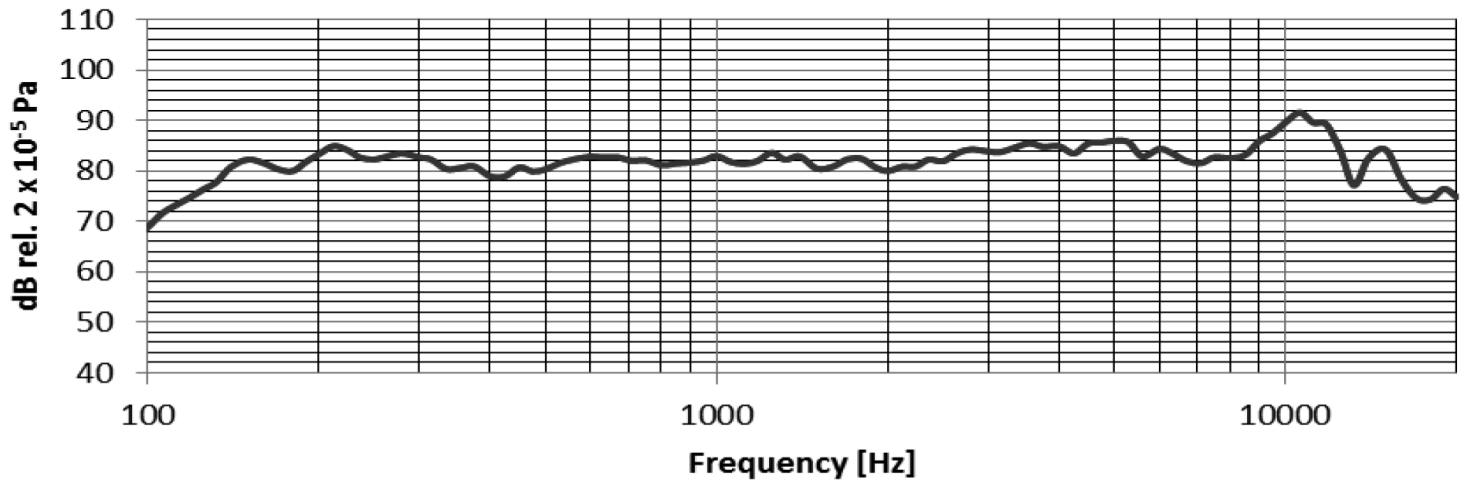
wire: UL1571 28 AWG



RESPONSE CURVES

Frequency Response Curve

Test Conditions: 1.0 W / 1.0 m



Total Harmonic Distortion Curve

Test Conditions: 1.0 W / 1.0 m

