

MODEL: CDS-4224-84SP | **DESCRIPTION:** SPEAKER

FEATURES

- 4 ohm
- rated 8.0 W
- solder terminals

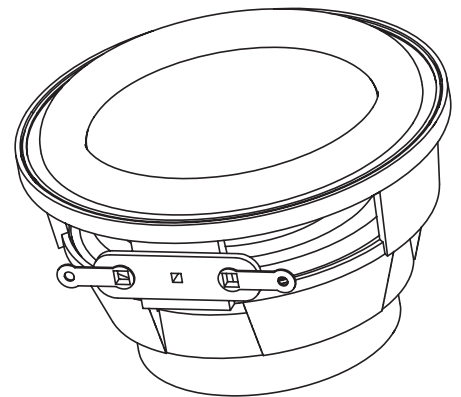
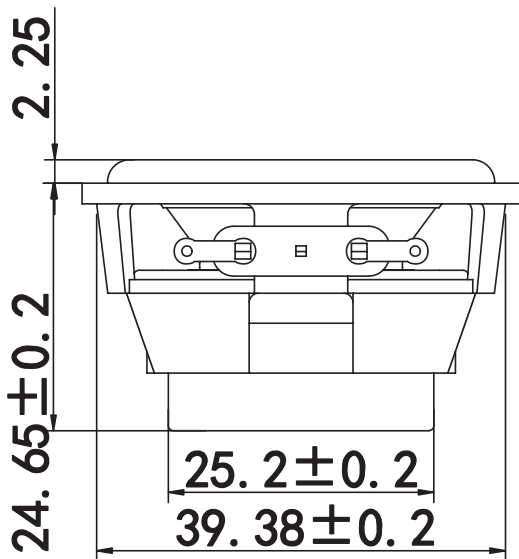
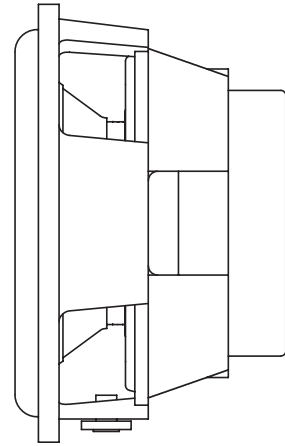
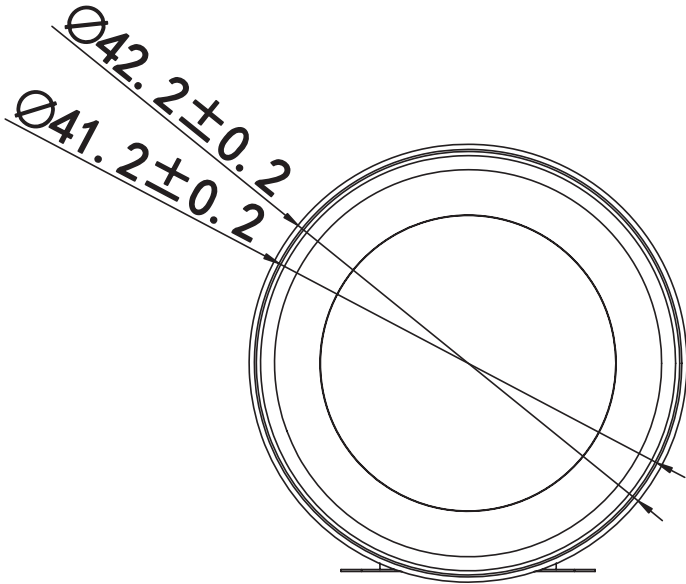

SPECIFICATIONS

parameter	conditions/description	min	typ	max	units
input power			8	10	W
impedance		3.4	4	4.6	Ω
resonant frequency (Fo)		176	220	264	Hz
frequency response		90		20,000	Hz
sound pressure level	at 1.0 W, 50 cm, avg 0.8, 1.0, 1.2, 1.5 kHz on baffle	80.5	83.5	86.5	dB
distortion	at 1.0 kHz, 1.0 W, 50 cm on baffle			5	%
buzz, rattle, etc.	must be normal at sine wave			5.66	V
polarity	cone moves forward w/ positive dc current to "+" terminal				
dimensions	$\varnothing 42.2 \times 26.9$				mm
magnet	Nd-Fe-B				
frame material	PBT + 15% GF				
cone material	PEI				
terminal	solder terminals				
weight			475		g
operating temperature		-20		55	$^{\circ}\text{C}$
storage temperature		-25		60	$^{\circ}\text{C}$
hand soldering	for maximum 2 seconds	360		380	$^{\circ}\text{C}$
RoHS	yes				

Notes: 1. All specifications measured at 15-35 $^{\circ}\text{C}$, humidity at 25-75%, unless otherwise noted.

MECHANICAL DRAWING

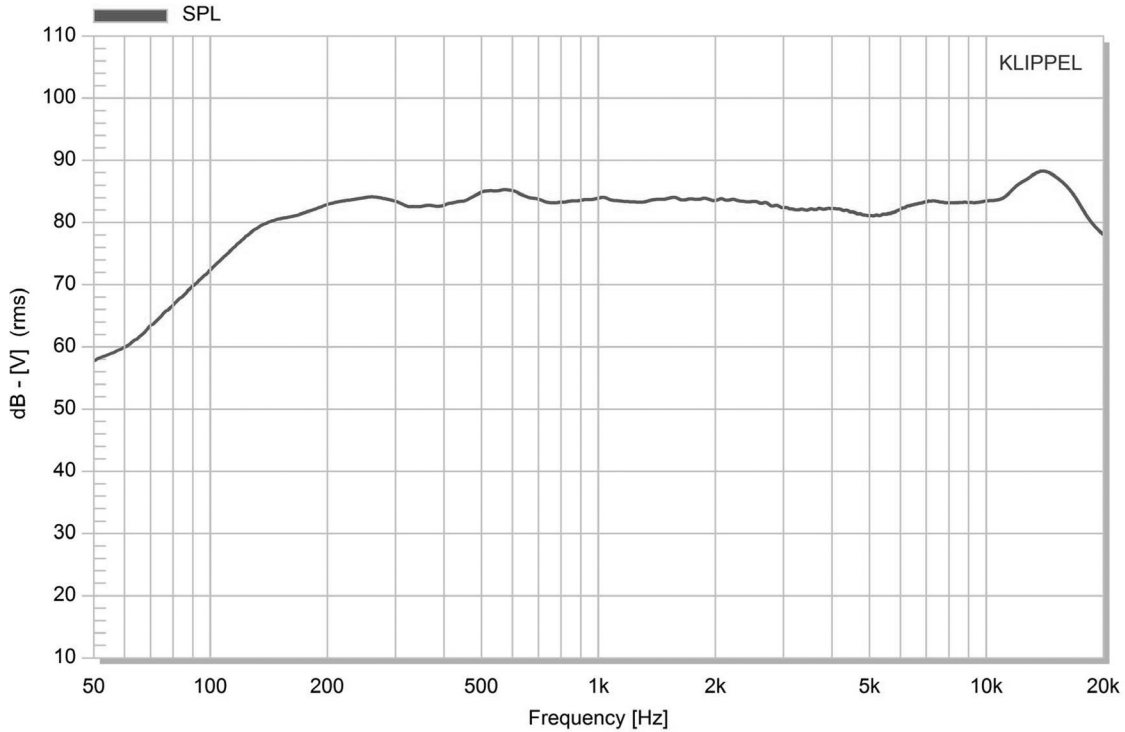
units: mm
tolerance: ± 0.2 mm



RESPONSE CURVES

Frequency Response Curve

Test Conditions: 1.0 W / 50 cm (on baffle)



Total Harmonic Distortion Curve

Test Conditions: 1.0 W / 50 cm (on baffle)

