

MODEL: CDS-4485-088SP | **DESCRIPTION:** SPEAKER**FEATURES**

- 8 ohm
- rated 0.8 W
- solder terminals

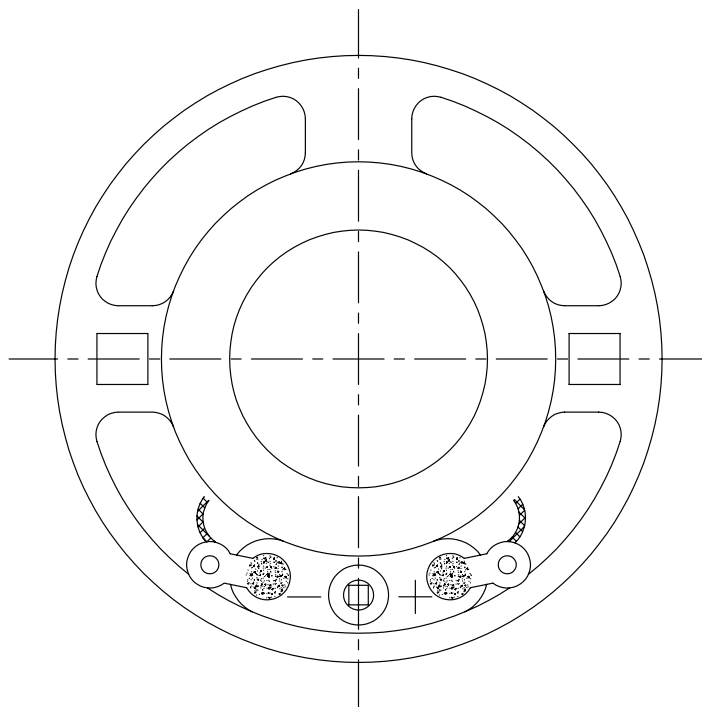
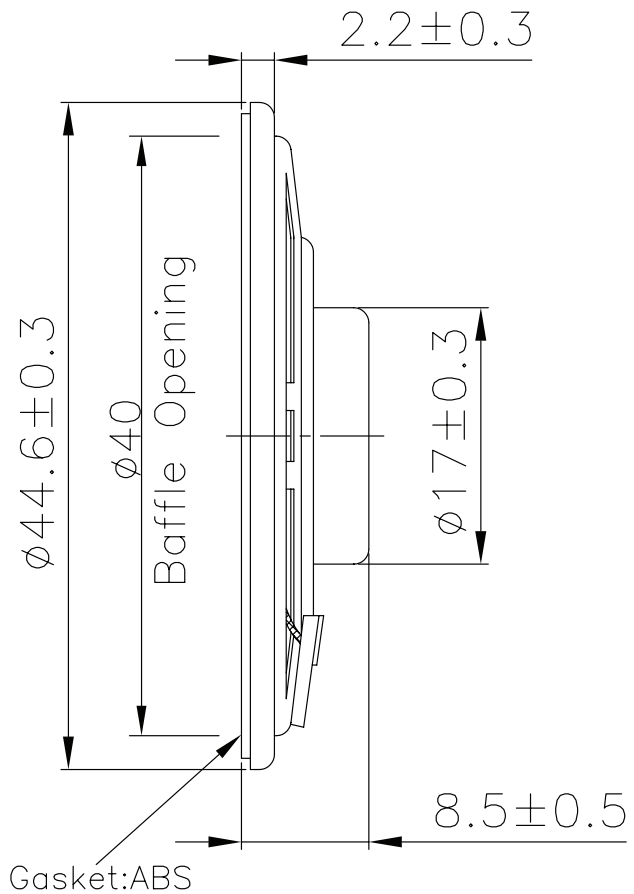
**SPECIFICATIONS**

parameter	conditions/description	min	typ	max	units
input power			0.8	2.0	W
impedance		6.8	8	9.2	Ω
resonant frequency (Fo)		464	580	696	Hz
frequency response		Fo		4,500	Hz
sound pressure level	at 0.8 W, 50 cm, avg 0.8, 1.0, 1.2, 1.5 kHz	87	90	93	dB
distortion	at 1.0 kHz, 0.8 W			5	%
buzz, rattle, etc.	must be normal at sine wave, frequency range			2.53	V
polarity	cone moves forward w/ positive dc current to "+" terminal				
dimensions	$\varnothing 44.6 \times 8.5$				mm
magnet	Nd-Fe-B				
frame material	iron				
cone material	PEI				
terminal	solder terminals				
weight			11.5		g
operating temperature		-20		55	$^{\circ}\text{C}$
storage temperature		-25		60	$^{\circ}\text{C}$
hand soldering	for maximum 2 seconds	360		380	$^{\circ}\text{C}$
RoHS	yes				

Notes: 1. All specifications measured at 15-35 $^{\circ}\text{C}$, humidity at 25-75%, unless otherwise noted.

MECHANICAL DRAWING

units: mm
tolerance: ± 0.2 mm



RESPONSE CURVES

Frequency Response Curve

Test Conditions: 2.53 V / 50 cm

