

**SERIES:** CDS-4528-44XX | **DESCRIPTION:** SPEAKER

**FEATURES**

- double magnet design
- 4 ohm
- 84 dB at 1 m


**SPECIFICATIONS**

parameter	conditions/description	min	typ	max	units
input power			4.0	6.0	W
impedance	at 2 kHz, 2.0 V	3.2	4	4.8	$\Omega$
resonant frequency (Fo)	at 2.0 V	160	200	240	Hz
frequency response		200		20,000	Hz
sound pressure level	at 1 W, 1 m, avg at 1.0, 2.0, 3.0, 4.0 kHz	81	84	87	dB
distortion	at 1.0 kHz, 1.0 W [standard baffle]			5	%
buzz, rattle, etc.	must be normal at sine wave between 300 Hz ~ 20 kHz			4	V
polarity	cone moves forward w/ positive dc current to "+" terminal				
dimensions	45.2 x 45.2 x 28.1				mm
magnet	Nd-Fe-B				
frame material	SPCC				
cone material	PU + paper				
weight			36		g
operating temperature		-20		60	$^{\circ}\text{C}$
storage temperature		-30		70	$^{\circ}\text{C}$
hand soldering	for 3~5 seconds	370	380	390	$^{\circ}\text{C}$
RoHS	yes				

Notes: 1. All specifications measured at 15~35 $^{\circ}\text{C}$ , humidity at 25~75%, 86~106 kPa, unless otherwise noted.

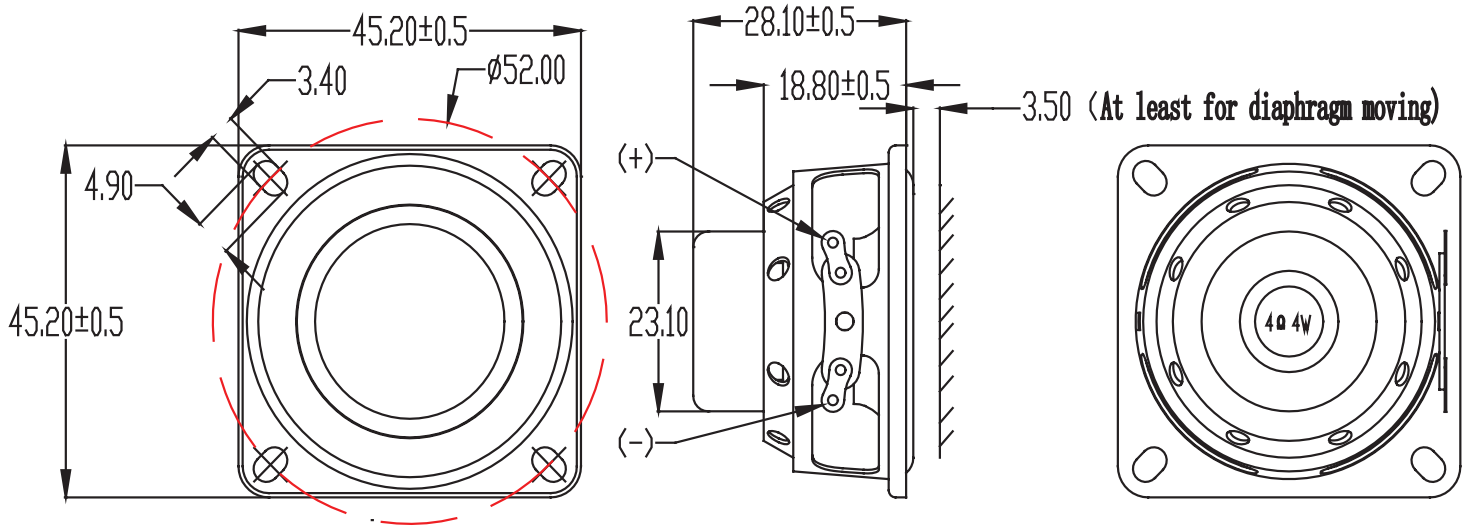
**PART NUMBER KEY**
**CDS - 4528 - 44 XX**

Base Number

 Termination Options:  
 SP = solder terminals  
 L100 = wire leads

## MECHANICAL DRAWING (SOLDER TERMINALS)

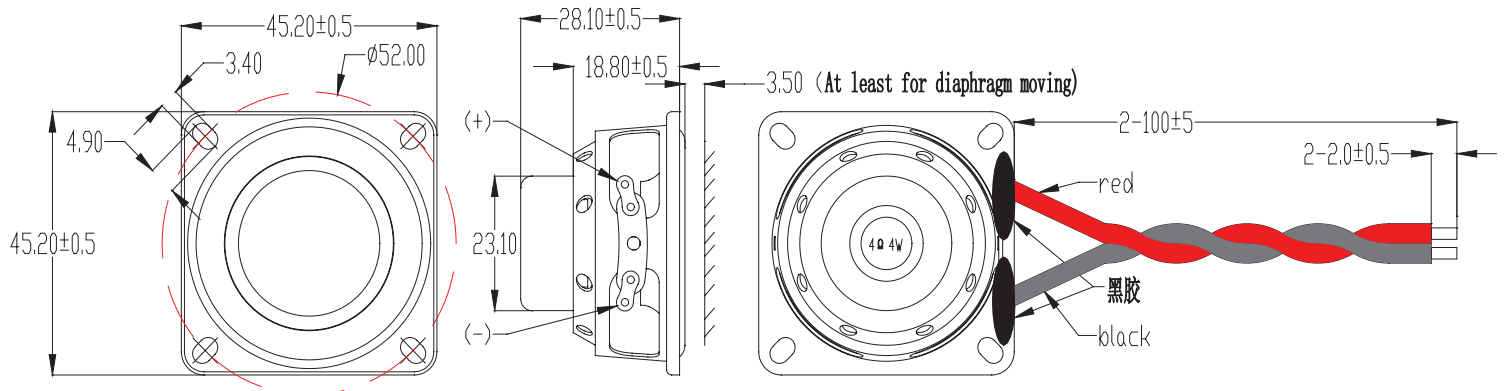
units: mm  
tolerance:  $\pm 0.5$  mm  
unless specified otherwise



## MECHANICAL DRAWING (WIRE LEADS)

units: mm  
tolerance:  $\pm 0.5$  mm  
unless specified otherwise

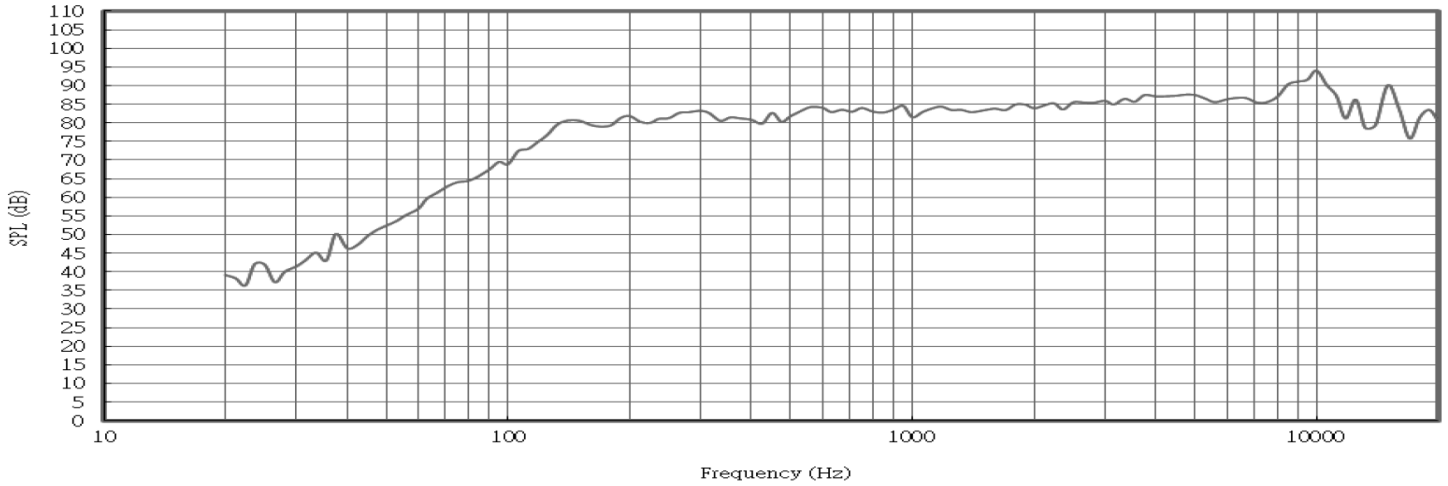
wire: UL1571 28 AWG



## RESPONSE CURVES

### Frequency Response Curve

Test Conditions: 1.0 W / 1.0 m



### Total Harmonic Distortion Curve

Test Conditions: 1.0 W / 1.0 m

