

**MODEL:** CDS-4553-16-SP | **DESCRIPTION:** SPEAKER**FEATURES**

- 16 Ohm
- rated 1.0 W
- solder pads

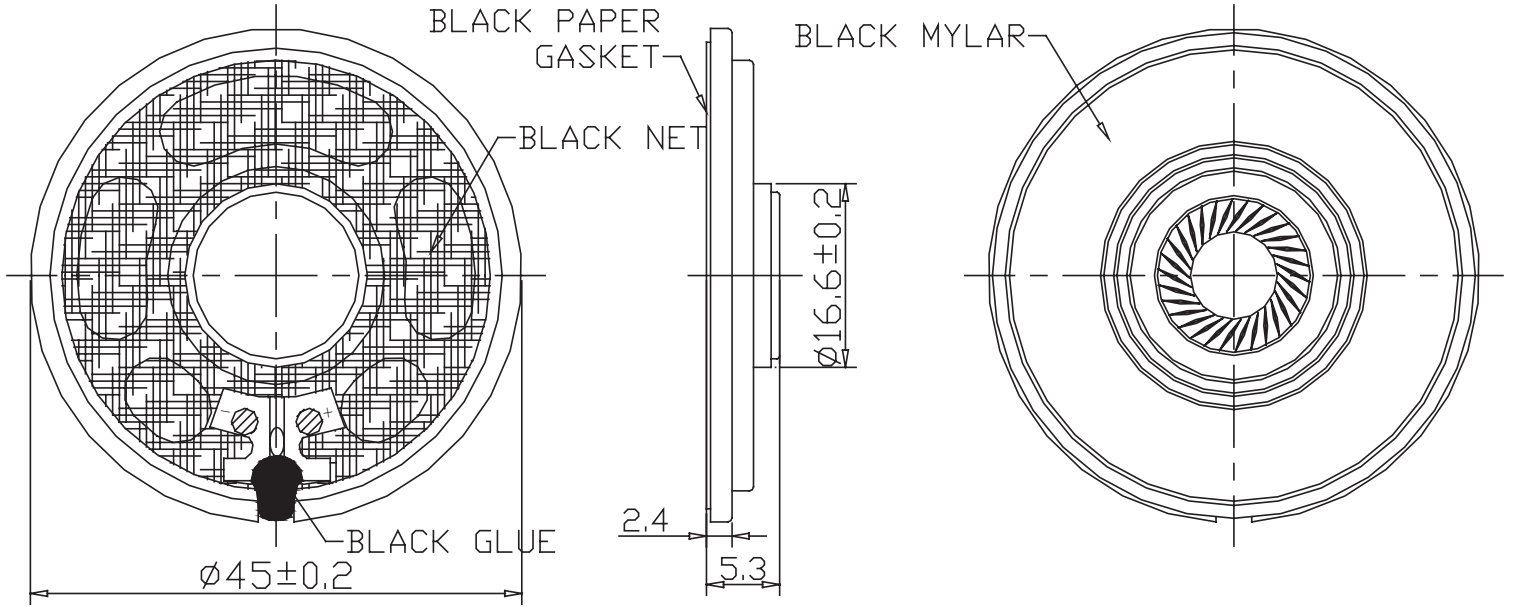
**SPECIFICATIONS**

parameter	conditions/description	min	typ	max	units
input power	max power: 1 minute on, 2 minutes off, 10 cycles		1.0	2.0	W
impedance	at 2.0 kHz, 1.0 V	13.6	16	18.4	$\Omega$
resonant frequency (Fo)	at 1.0 V	400	500	600	Hz
frequency response		Fo		6,000	Hz
sound pressure level	in baffleboard				
	at 0.1 W, 0.1 m, avg at 0.6, 0.8, 1.0, 1.2 kHz	87	90	93	dB
	at 1.0 W, 1.0 m, avg at 0.6, 0.8, 1.0, 1.2 kHz	77	80	83	dB
distortion	at 1.0 kHz, rated power			10	%
buzz, rattle, etc.	must be normal at sine wave, between Fo ~ 6,000 Hz			4.0	V
polarity	cone moves forward w/ positive dc current to "+" terminal				
dimensions	$\varnothing 45 \times 5.3$				mm
magnet	Nd-Fe-B				
frame material	SPCC				
cone material	PET (black)				
terminal	solder pads				
weight			10.2		g
operating temperature		-30		60	$^{\circ}\text{C}$
storage temperature		-30		60	$^{\circ}\text{C}$
hand soldering	for maximum 2 seconds			380	$^{\circ}\text{C}$
RoHS	yes				

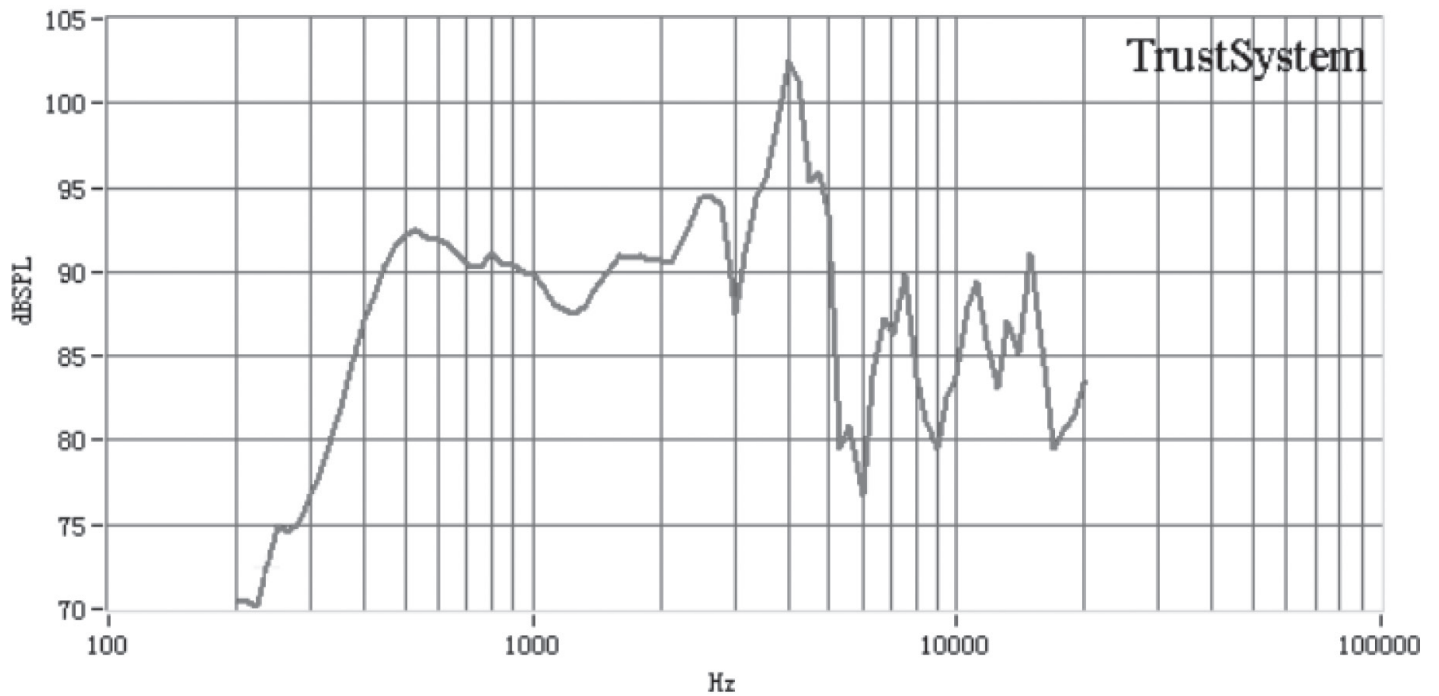
Notes: 1. All specifications measured at 15-35 $^{\circ}\text{C}$ , humidity at 45-85%, under 86-106 kPa pressure, unless otherwise noted.

## MECHANICAL DRAWING

units: mm  
tolerance:  $\pm 0.3$  mm



## FREQUENCY RESPONSE CURVE



## PACKAGING

units: mm

Tray Size: 275 x 257 mm  
 Tray QTY: 50 pcs per tray  
 Carton Size: 540 x 300 x 320 mm  
 Carton QTY: 500 pcs per carton

