

MODEL: CDS-5075-038SP | **DESCRIPTION:** SPEAKER**FEATURES**

- 8 ohm
- rated 0.3 W
- solder pads

**SPECIFICATIONS**

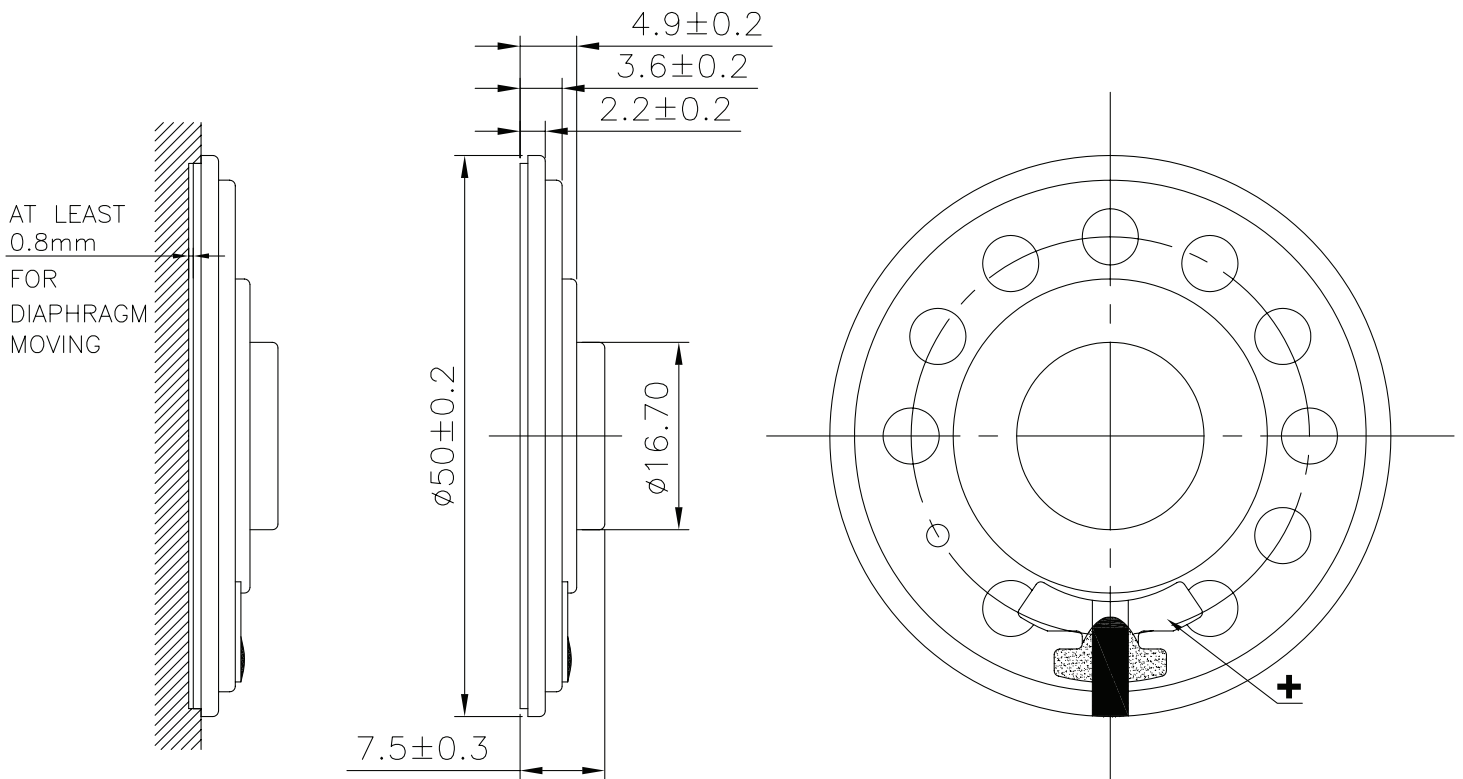
parameter	conditions/description	min	typ	max	units
input power			0.3	0.6	W
impedance		6.8	8	9.2	Ω
resonant frequency (Fo)		288	360	432	Hz
frequency response		200		15,000	Hz
sound pressure level	at 0.3 W, 50 cm, avg 0.8, 1.0, 1.2, 1.5 kHz	82	85	88	dB
distortion	at 1.0 kHz, 0.3 W			5	%
buzz, rattle, etc.	must be normal at sine wave, frequency range			1.54	V
polarity	cone moves forward w/ positive dc current to "+" terminal				
dimensions	$\varnothing 50 \times 7.5$				mm
magnet	Nd-Fe-B				
frame material	iron				
cone material	PET				
terminal	solder pads				
weight			13.1		g
operating temperature		-20		55	$^{\circ}\text{C}$
storage temperature		-25		60	$^{\circ}\text{C}$
hand soldering	for maximum 2 seconds	360		380	$^{\circ}\text{C}$
RoHS	yes				

Notes: 1. All specifications measured at 15-35 $^{\circ}\text{C}$, humidity at 25-75%, unless otherwise noted.

MECHANICAL DRAWING

units: mm
tolerance: ± 0.2 mm
 $8 < X \leq 16$: ± 0.25 mm
 $16 < X \leq 24$: ± 0.30 mm
unless otherwise noted

MOUNTING NOTICE



RESPONSE CURVES

Frequency Response Curve

Test Conditions: 1.54 V / 50 cm

