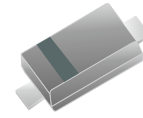


## CDSP400-HF

RoHS Device  
Halogen Free



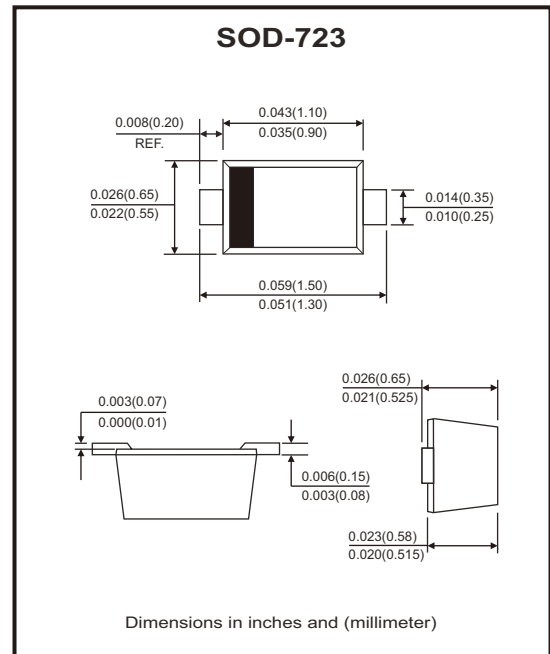
### Features

- Small surface mounting type.
- High speed.
- High reliability with high surge current handling capability.

### Mechanical data

- Case: Molded plastic SOD-723.
- Polarity: Indicated by cathode band.
- Mounting position: Any

### Circuit Diagram



### Maximum Ratings (at TA=25°C unless otherwise noted)

Parameter	Symbol	Value	Unit
Non-repetitive peak reverse voltage	$V_{RM}$	90	V
DC blocking voltage	$V_R$	80	V
Forward continuous current	$I_{FM}$	225	mA
Average rectified output current	$I_o$	100	mA
Non-repetitive peak forward surge current @ t=8.3ms	$I_{FSM}$	2	A
Power dissipation	$P_D$	100	mW
Thermal resistance junction to ambient	$R_{\theta JA}$	1250	°C/W
Junction temperature	$T_J$	150	°C
Storage temperature range	$T_{STG}$	-55 ~ +150	°C

### Electrical Characteristics (at TA=25°C unless otherwise noted)

Parameter	Symbol	Conditions	Min.	Typ.	Max.	Unit
Forward voltage	$V_F$	$I_F=100mA$			1.2	V
Reverse current	$I_R$	$V_R=80V$			0.1	μA
Capacitance between terminals	$C_T$	$V_R=0.5V, f=1MHz$			3.0	pF
Reverse recovery time	$t_{rr}$	$V_R=6V, I_F=10mA, R_L=100\Omega$			4	nS

## Rating and Characteristic Curves (CDSP400-HF)

Fig.1 - Forward Characteristics

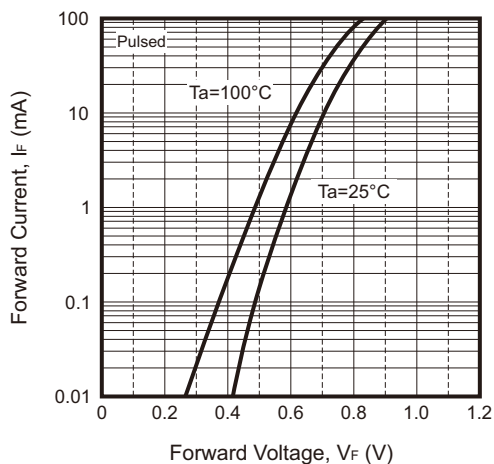


Fig.2 - Reverse Characteristics

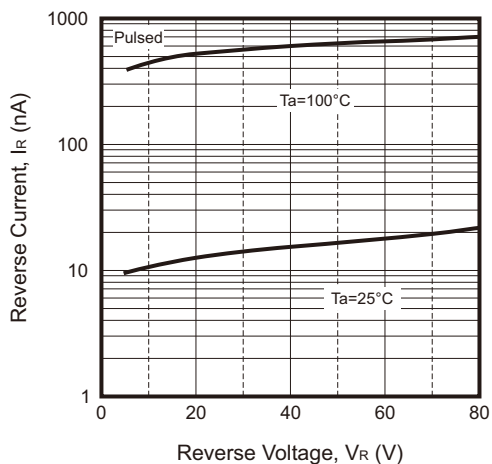


Fig.3 - Capacitance Characteristics

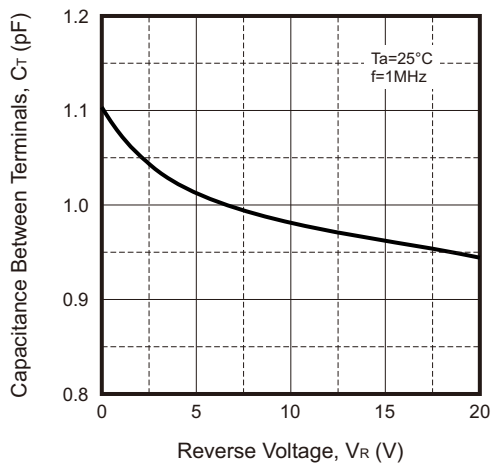
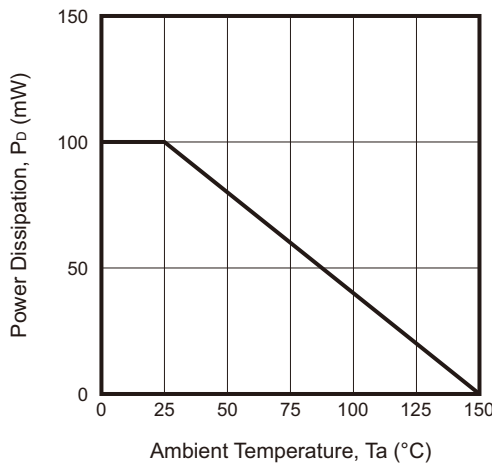
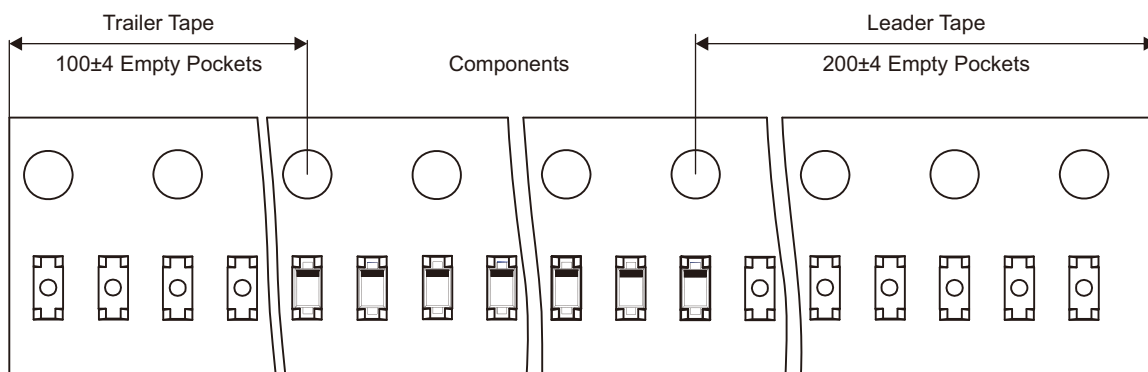
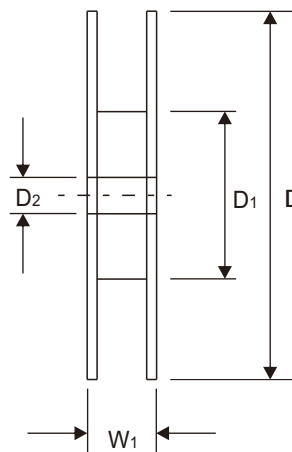
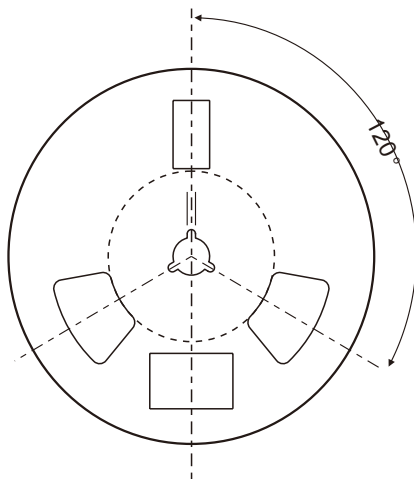
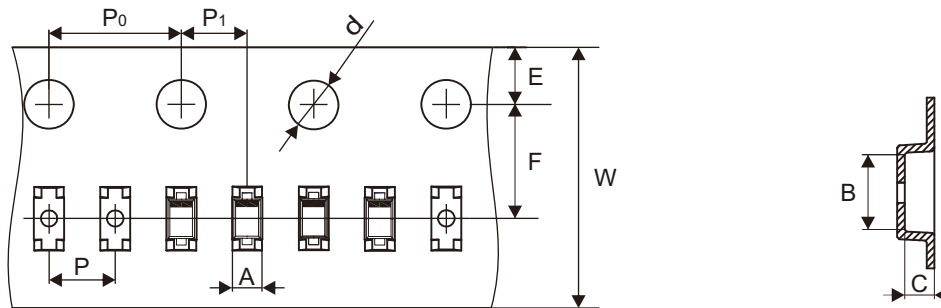


Fig.4 - Power Derating Curve



## Reel Taping Specification



SOD-723	SYMBOL	A	B	C	d	D	D1	D2
	(mm)	0.73 Typ	1.71 Typ	0.62 Typ	1.50 Typ	178.00 Typ	54.40 Typ	13.00 Typ
	(inch)	0.029 Typ	0.067 Typ	0.024 Typ	0.059 Typ	7.008 Typ	2.142 Typ	0.512 Typ

SOD-723	SYMBOL	E	F	P	P0	P1	W	W1
	(mm)	1.75 Typ	3.50 Typ	2.00 Typ	4.00 Typ	2.00 Typ	8.00 Typ	12.30 Typ
	(inch)	0.069 Typ	0.138 Typ	0.079 Typ	0.157 Typ	0.079 Typ	0.315 Typ	0.484 Typ

Company reserves the right to improve product design , functions and reliability without notice.

REV:A