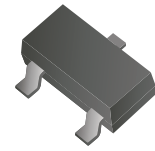


CDSV3-16-G/56-G/70-G/99-G

Reverse Voltage: 75 Volts
Forward Current: 300 mA
RoHS Device



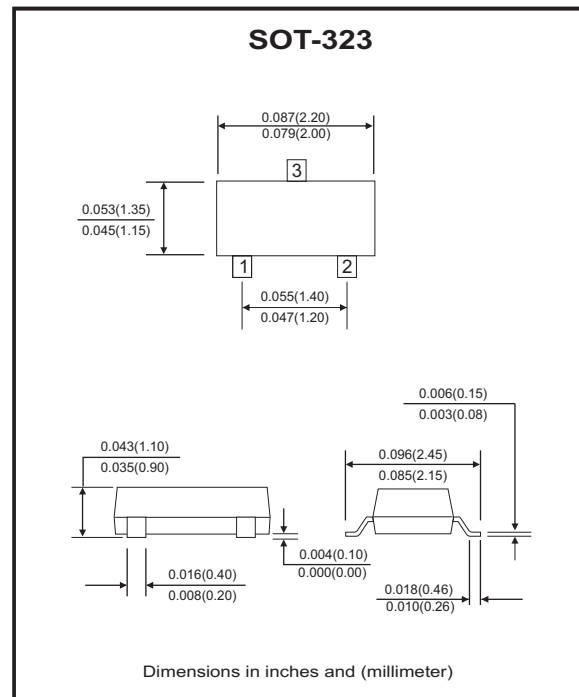
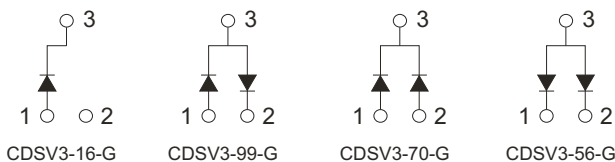
Features

- Design for mounting on small surface.
- High speed switching.
- High mounting capability, strong surge withstand, high reliability.

Mechanical data

- Case: SOT-323, molded plastic.
- Terminals: solderable per MIL-STD-750, method 2026.
- Approx. weight: 0.006 grams

Circuit diagram



Maximum Ratings and Electrical Characteristics

(at Ta=25°C unless otherwise noted)

Parameter	Symbol	Conditions	Value	Units
Repetitive peak reverse voltage	V _{RRM}		75	V
Reverse voltage	V _R		75	V
Forward current	I _F		300	mA
Peak surge forward current	I _{FSM}	T=1.0 μS	2	A
Power dissipation	P _D		200	mW
Maximum forward voltage	V _F	@I _F =1mA @I _F =10mA @I _F =50mA @I _F =150mA	0.715 0.855 1.0 1.25	V
Maximum reverse current	I _R	@V _R =20V @V _R =75V @V _R =25V, T _J =150 °C @V _R =75V, T _J =150 °C	0.025 2.5 30 50	μA
Maximum reverse recovery time	T _{rr}	I _F =10mA, V _R =6V	4	nS
Typical diode capacitance	C _J	V _R =0V, f=1.0MHz	2	pF
Maximum junction temperature	T _J		-65~+150	°C
Storage temperature	T _{STG}		-65 to +150	°C

Company reserves the right to improve product design , functions and reliability without notice.

REV:C

RATING AND CHARACTERISTIC CURVES (CDSV3-16-G/56-G/70-G/99-G)

Fig.1 - Forward Characteristics

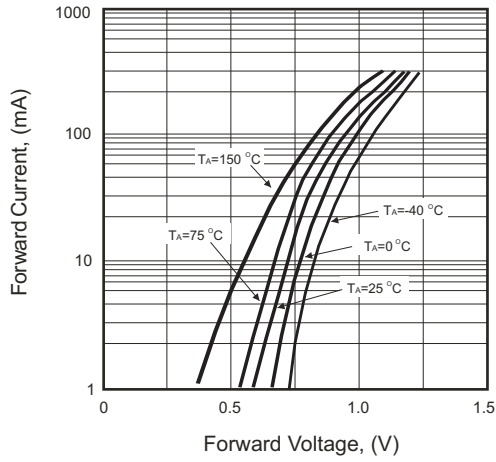


Fig.2 - Typical Reverse Characteristics

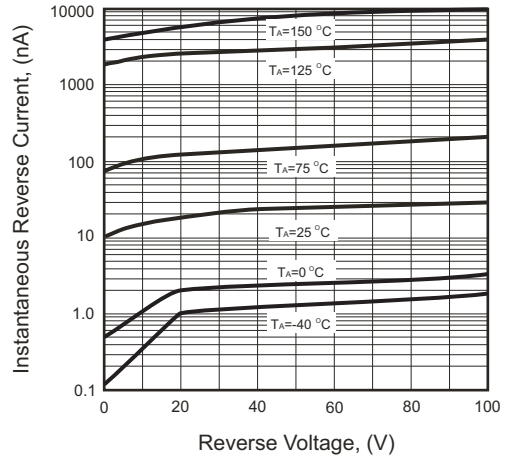


Fig.3 - Typical Capacitance vs. Reverse Voltage

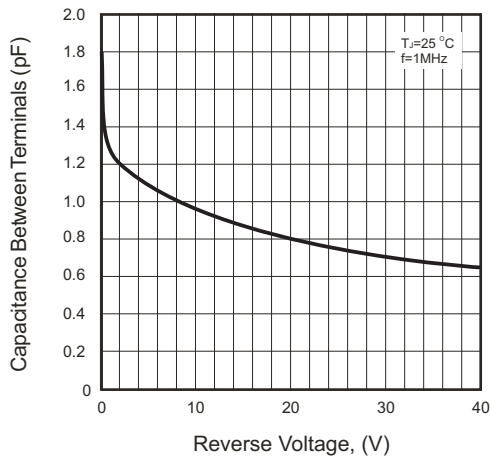


Fig.4 - Reverse Recovery Time vs. Forward Current

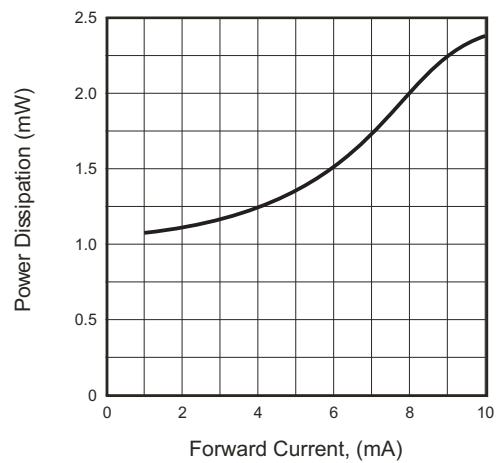
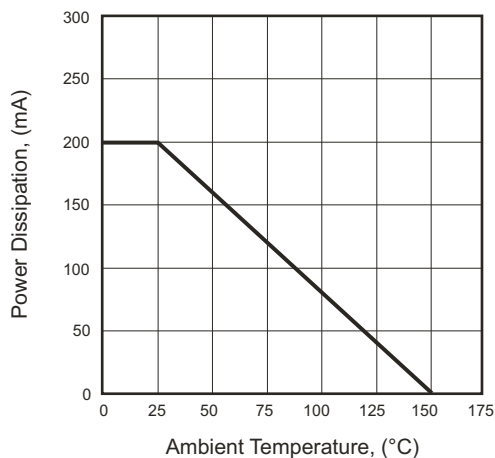
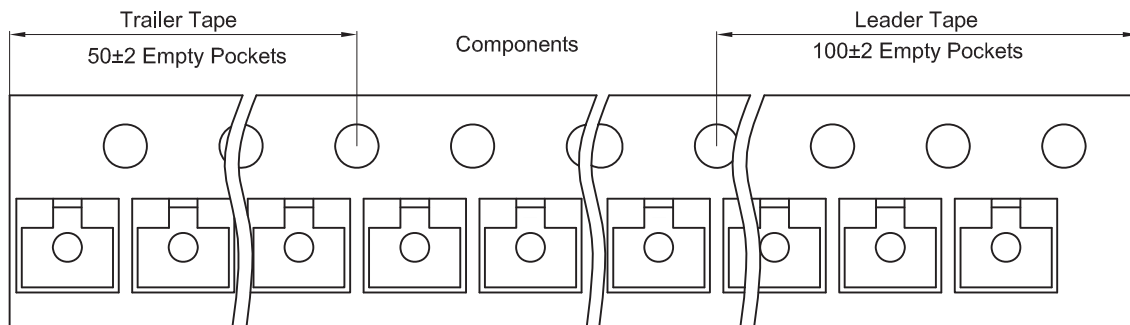
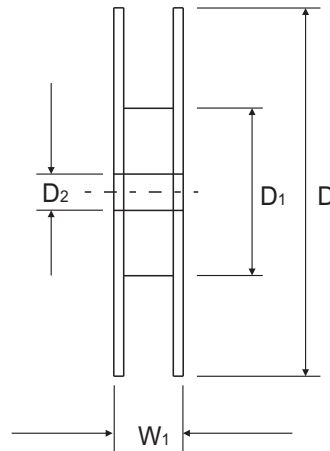
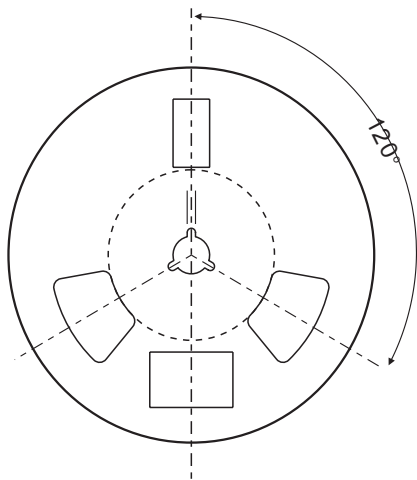
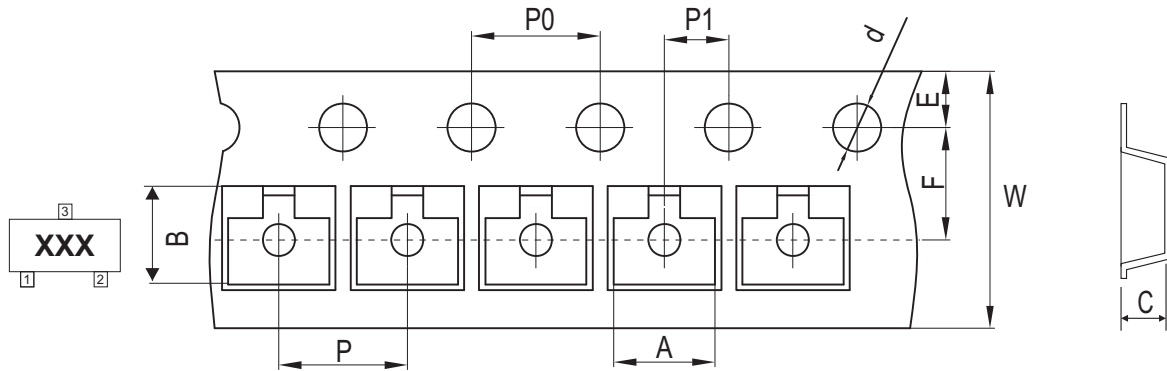


Fig.5 - Power Derating Curve, Total Package



Reel Taping Specification



SOT-323	SYMBOL	A	B	C	d	D	D1	D2
	(mm)	2.25 ± 0.05	2.55 ± 0.05	1.19 ± 0.05	1.55 ± 0.10	178 ± 2.00	54.40 ± 1.00	13.00 ± 1.00
	(inch)	0.089 ± 0.002	0.100 ± 0.002	0.047 ± 0.002	0.061 ± 0.004	7.008 ± 0.079	2.142 ± 0.039	0.512 ± 0.039

SOT-323	SYMBOL	E	F	P	P0	P1	W	W1
	(mm)	1.75 ± 0.10	3.50 ± 0.10	4.00 ± 0.10	4.00 ± 0.10	2.00 ± 0.10	8.00 + 0.30 / - 0.10	12.30 ± 1.00
	(inch)	0.069 ± 0.004	0.138 ± 0.004	0.157 ± 0.004	0.157 ± 0.004	0.079 ± 0.004	0.315 + 0.012 / - 0.004	0.484 ± 0.039