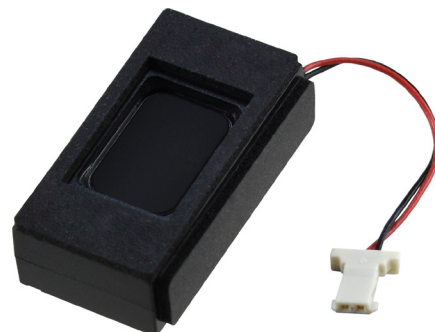


MODEL: CES-26138-16L030 | **DESCRIPTION:** SPEAKER**FEATURES**

- 1.2 W rated power
- 6 ohm rated impedance
- 30 mm lead wire

**SPECIFICATIONS**

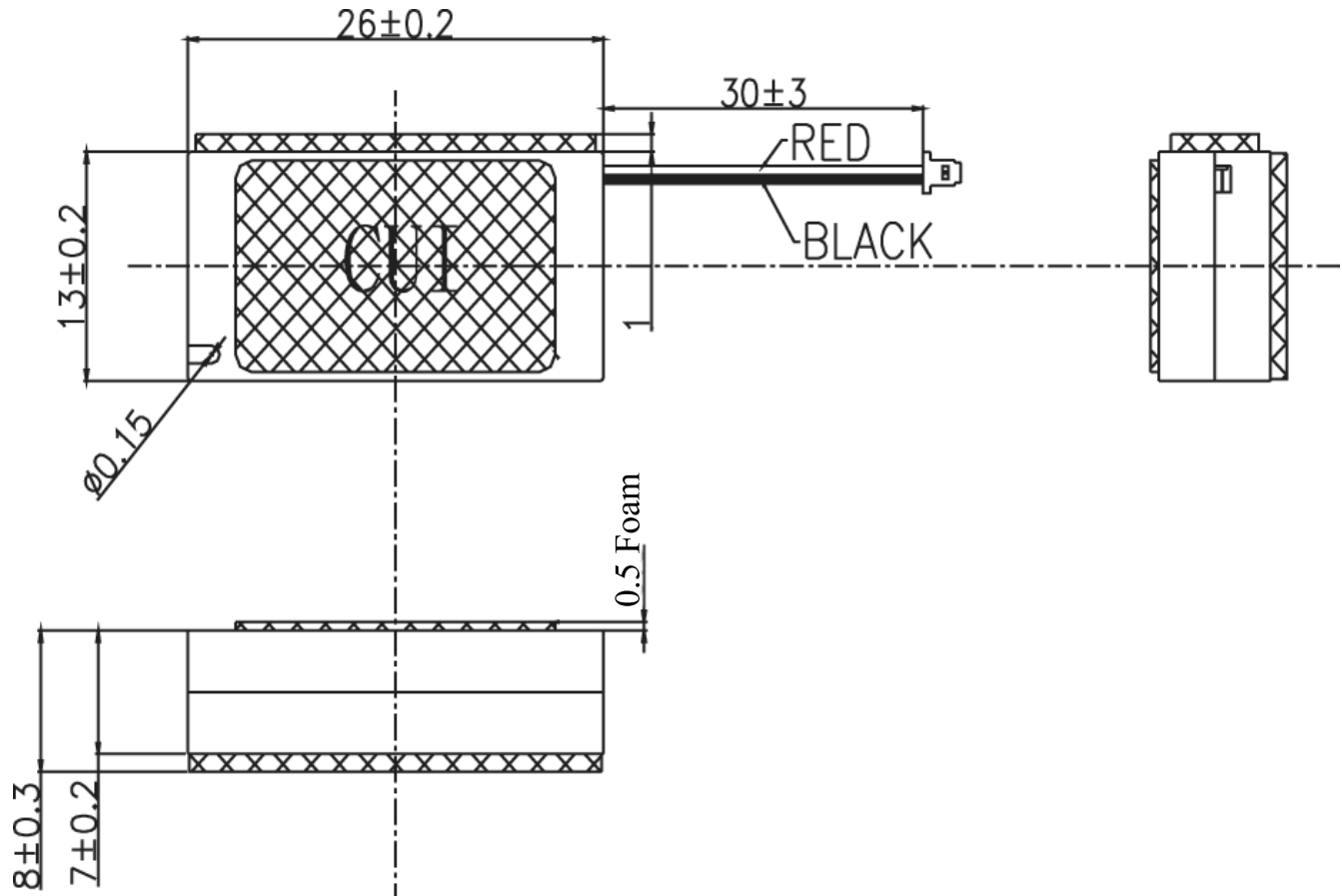
parameter	conditions/description	min	typ	max	units
input power	max power: 1 second on, 59 seconds off, 60 cycles		1.2	1.5	W
impedance	at 2.0 kHz, 2.68 Vrms	4.8	6.0	7.2	Ω
resonant frequency (Fo)	at 2.68 Vrms, 10 cm	800	1,000	1,200	Hz
frequency response	as per IEC 268-5	500		20,000	Hz
sound pressure level	at 1.2 W, 10 cm, avg at 2.0 kHz in free air	92	95	98	dB
distortion	at 2.0 kHz, rated power, 10 cm			10	%
buzz, rattle, etc.	must be normal at sine wave, frequency range			2.68	V
polarity	cone moves forward w/ positive dc current to "+" terminal				
dimensions	26 x 13 x 7				mm
magnet	Nd-Fe-B				
enclosure material	PC+ABS				
cone material	PEEK				
terminal	wire leads w/ connector				
weight		2.5	3.0	3.5	g
operating temperature		-20		70	$^{\circ}\text{C}$
storage temperature		-40		85	$^{\circ}\text{C}$
RoHS	yes				

Notes: 1. All specifications measured at 15-35 $^{\circ}\text{C}$, humidity at 25-75%, under 86-106 kPa pressure, unless otherwise noted.

MECHANICAL DRAWING

units: mm
tolerance: ± 0.2 mm

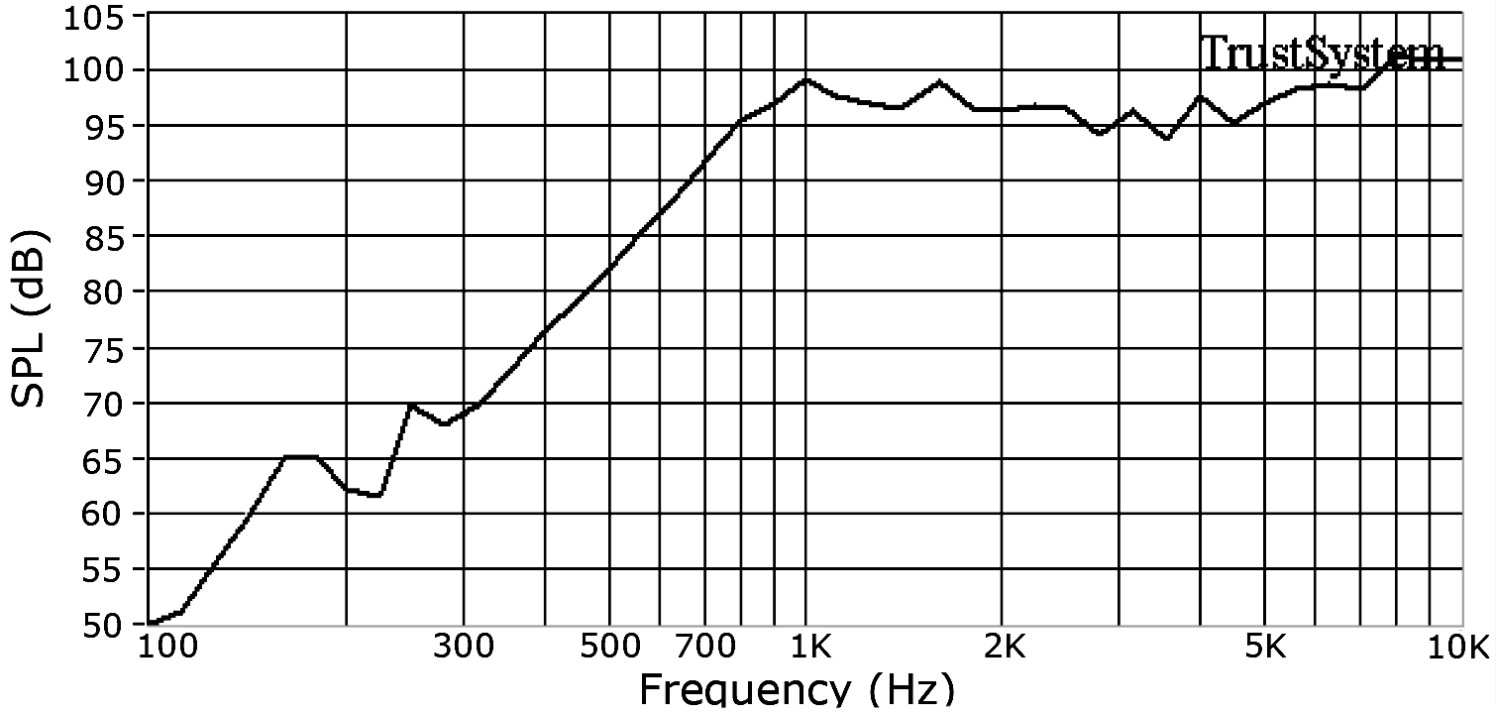
wire: UL1571 32 AWG
internal speaker: CMS-151103-16SP
connector: Aces Electronics 50280-002H0H1-001
crimp terminal: Aces Electronics 88232-T



RESPONSE CURVES

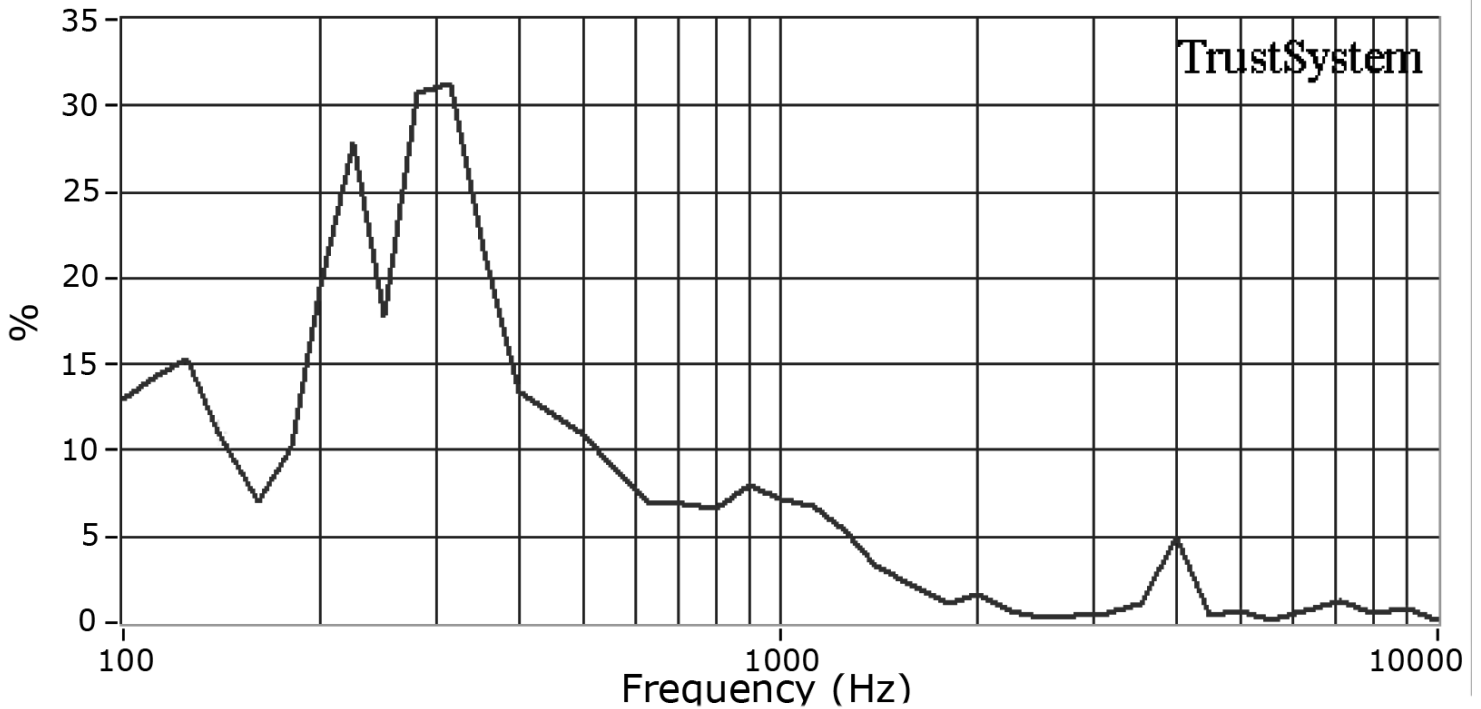
Frequency Response Curve

Test Conditions: 2.68 Vrms / 10 cm



Total Harmonic Distortion Curve

Test Conditions: 2.68 Vrms / 10 cm

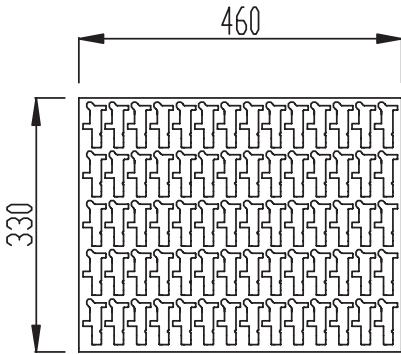


PACKAGING

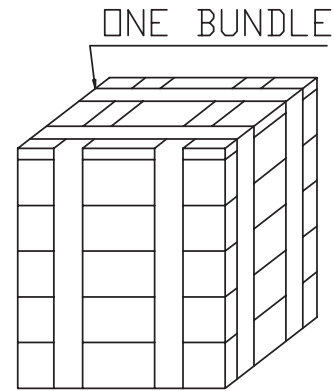
units: mm

Tray QTY: 70 pcs per tray
 Carton Size: 480 x 350 x 450 mm
 Carton QTY: 1,820 pcs per carton

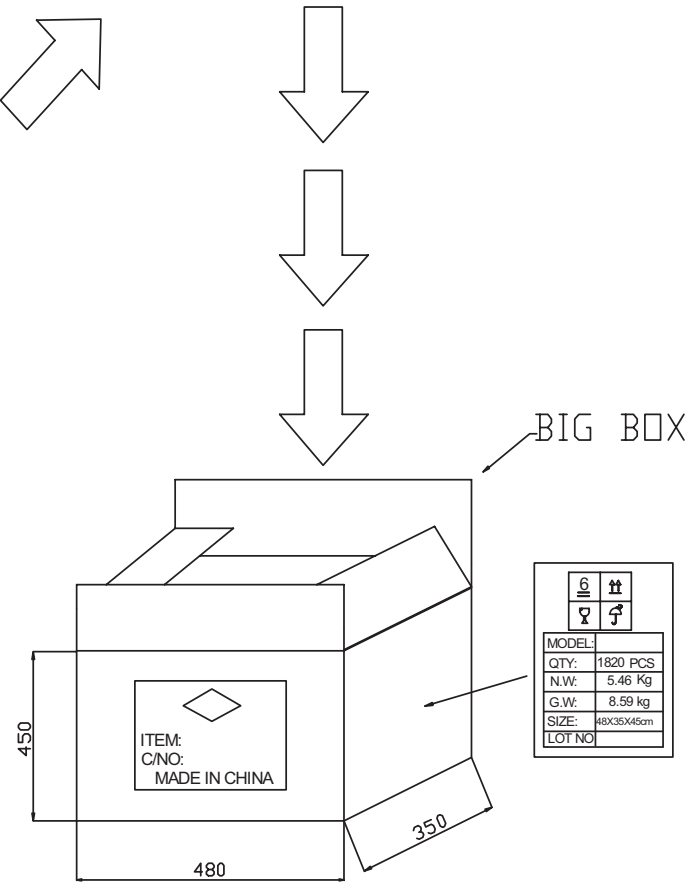
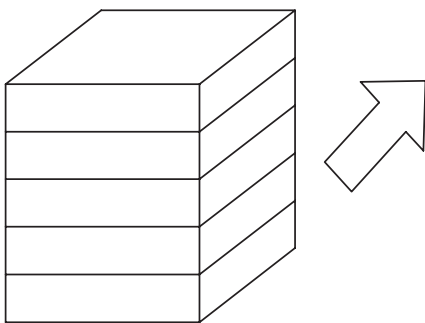
70PCSx1=70PCS/tray



1820PCSx1=1820PCS/box



70PCSx26=1820PCS/Stack



MODEL:	1820 PCS
QTY:	1820 PCS
N.W.:	5.46 Kg
G.W.:	8.59 kg
SIZE:	48X35X45cm
LOT NO:	