

MODEL: CES-302611-158PM-67 | **DESCRIPTION:** SPEAKER**FEATURES**

- IP67 rated
- 8 ohm rated impedance
- 1.5 W rated power

**SPECIFICATIONS**

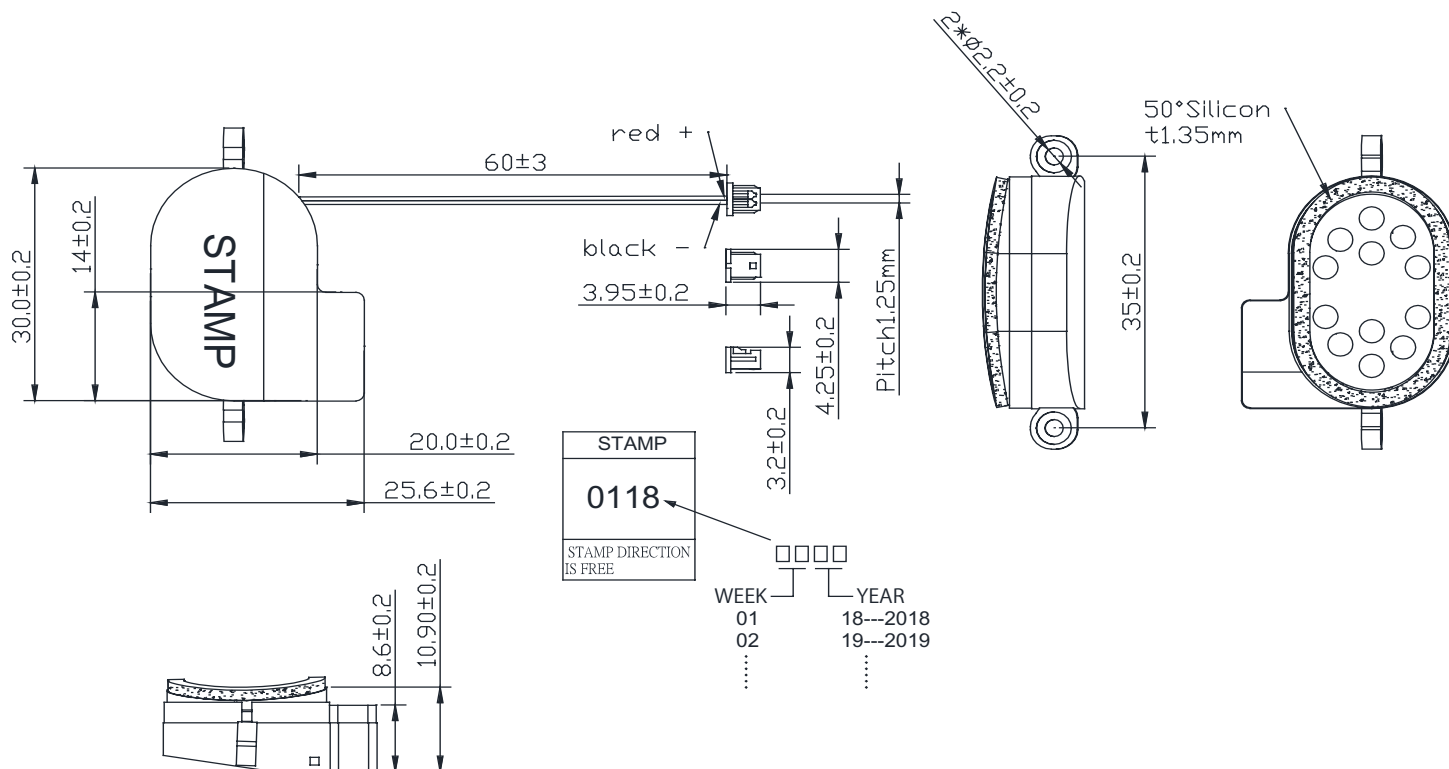
| parameter | conditions/description | min | typ | max | units |
|-------------------------|--|-----|-----|--------|--------------|
| input power | max power: IEC-60268-5, filter 50 seconds on, 120 seconds off, 10 cycles (room temp) | | 1.5 | 1.8 | W |
| impedance | at 2.0 kHz, 1.0 V | 6.8 | 8 | 9.2 | Ω |
| resonant frequency (Fo) | at 1.0 V | 720 | 900 | 1,080 | Hz |
| frequency response | | Fo | | 15,000 | Hz |
| sound pressure level | at 1.5 W, 10 cm, avg at 2.0 kHz | 92 | 95 | 98 | dB |
| distortion | at 1.0 kHz, rated power, 10 cm | | | 10 | % |
| buzz, rattle, etc. | must be normal at sine wave, frequency range | | | 3.46 | V |
| polarity | cone moves forward w/ positive dc current to "+" terminal | | | | |
| dimensions | 30.0 x 25.6 x 10.9 | | | | mm |
| magnet | Nd-Fe-B | | | | |
| enclosure material | ABS | | | | |
| cone material | PU+PEI | | | | |
| terminal | wire leads with connector | | | | |
| weight | | | 5.7 | | g |
| operating temperature | | -20 | | 60 | $^{\circ}$ C |
| storage temperature | | -30 | | 70 | $^{\circ}$ C |
| RoHS | yes | | | | |
| IP level | IP67 (front side) | | | | |

Notes: 1. All specifications measured at 25~75 $^{\circ}$ C, humidity at 45~85%, under 86~106 kPa pressure, unless otherwise noted.

MECHANICAL DRAWING

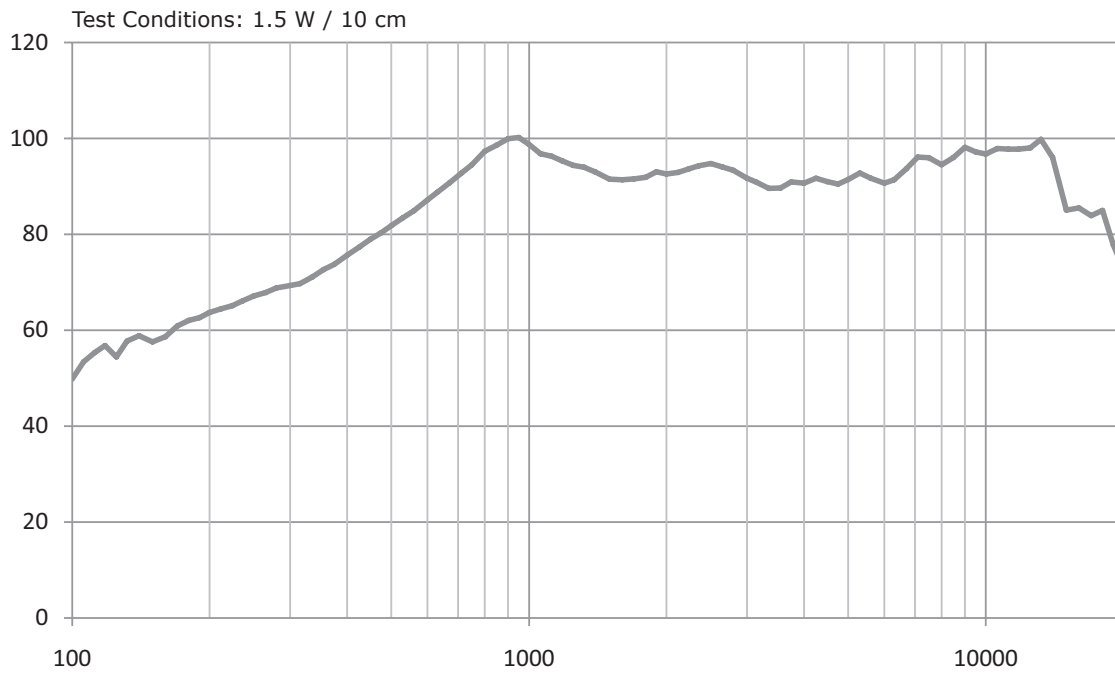
units: mm
tolerance: ± 0.2 mm

wire: UL3302 30 AWG
connector: Molex 51021-0200 or equivalent; P=1.25

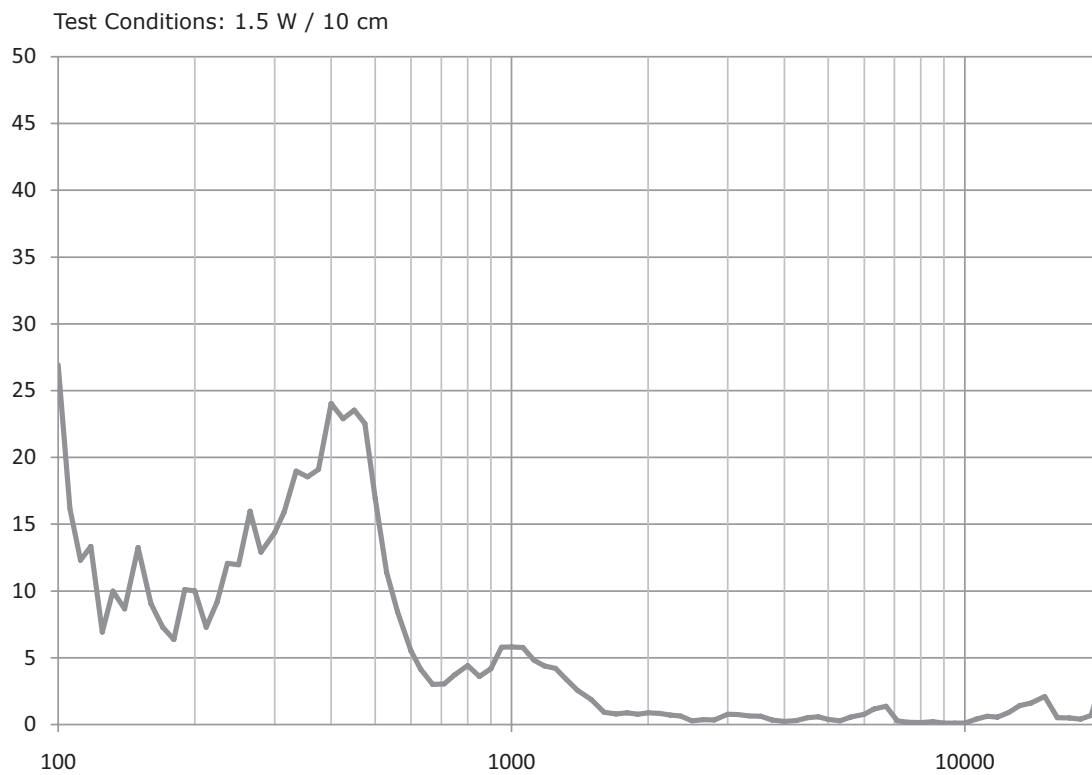


RESPONSE CURVES

Frequency Response Curve



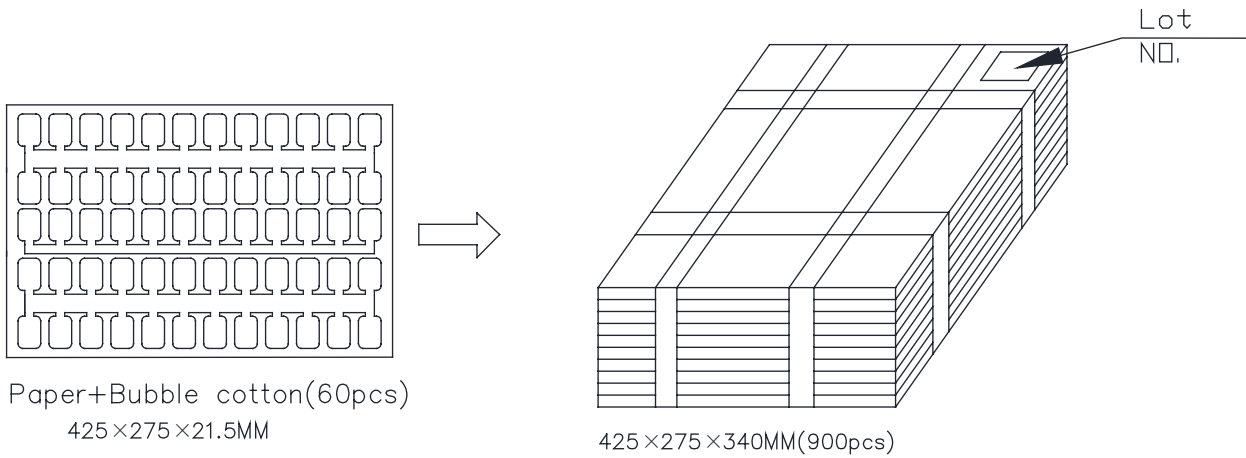
Total Harmonic Distortion Curve



PACKAGING

units: mm

Tray Size: 425 x 275 x 21.5 mm
 Tray QTY: 60 pcs per tray
 Carton Size: 445 x 285 x 360 mm
 Carton QTY: 900 pcs per carton



| | |
|-----------|-------------------------|
| Lot No. | XXXXXXXXXX |
| Part No. | CUI Inv#, CUI Part#. |
| Quantity. | XXXX Pcs |
| Date: | |
| | DD MM YY |
| | MADE IN CHINA |
| | CUI DEVICES |

RoHs Compliant

