

**MODEL:** CES-303206-240L40-67 | **DESCRIPTION:** SPEAKER**FEATURES**

- IP67 rated
- 40 mm lead wire
- 2 W rated power

**SPECIFICATIONS**

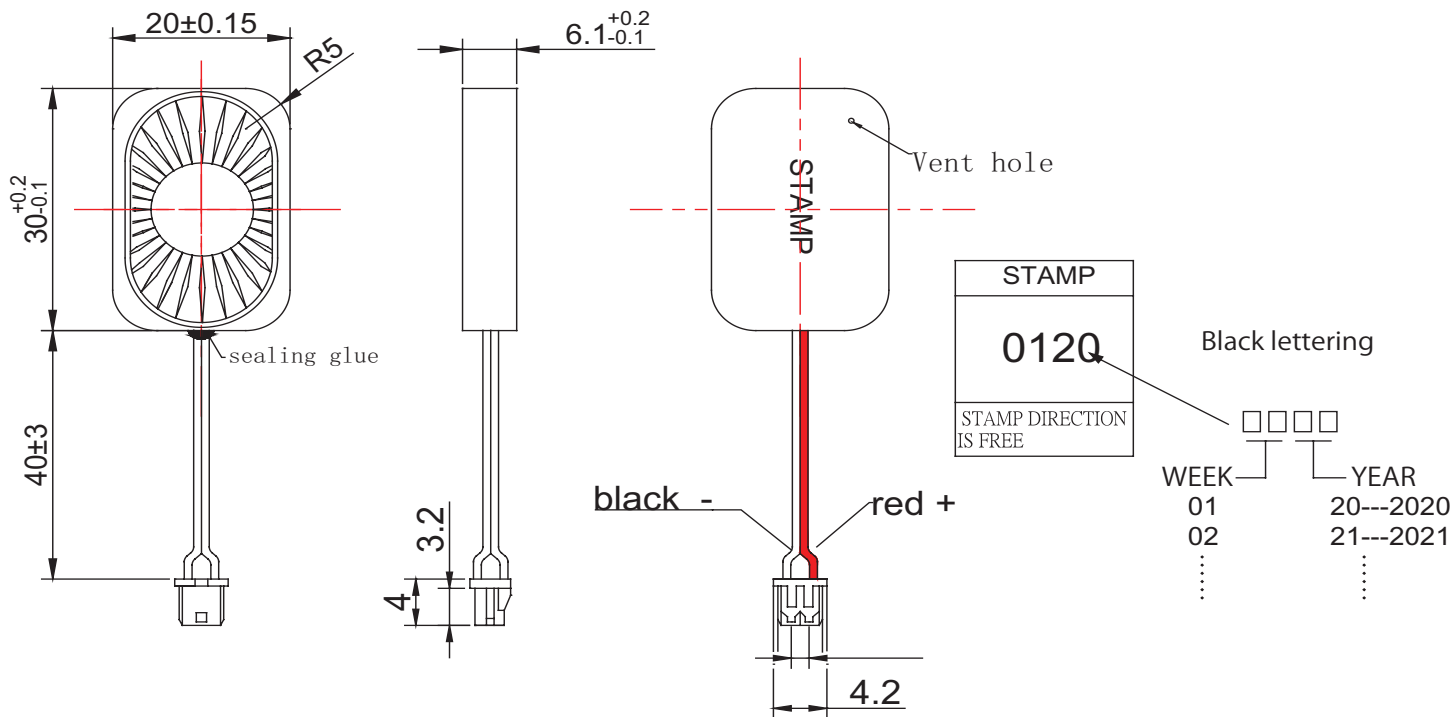
parameter	conditions/description	min	typ	max	units
input power	max power: IEC-60268-5, filter 60 seconds on, 120 seconds off, 10 cycles (room temp)		2.0	2.5	W
impedance	at 2.0 kHz, 1.0 V	3.2	4	4.8	$\Omega$
resonant frequency (Fo)	at 1.0 V	1,280	1,600	1,920	Hz
frequency response		Fo		20,000	Hz
sound pressure level	at 2.0 W, 10 cm, avg at 2.0 kHz	98	101	104	dB
distortion	at 2.0 kHz, rated power, 10 cm			10	%
buzz, rattle, etc.	must be normal at sine wave, frequency range			2.83	V
polarity	cone moves forward w/ positive dc current to "+" terminal				
dimensions	30.0 x 20.0 x 6.1				mm
magnet	Nd-Fe-B				
enclosure material	ABS				
cone material	PEN				
terminal	wire leads with connector				
weight			5.0		g
operating temperature		-30		70	$^{\circ}\text{C}$
storage temperature		-30		80	$^{\circ}\text{C}$
RoHS	yes				
IP level	IP67 (front side)				

Notes: 1. All specifications measured at 15~35 $^{\circ}\text{C}$ , humidity at 45~85%, under 86~106 kPa pressure, unless otherwise noted.

## MECHANICAL DRAWING

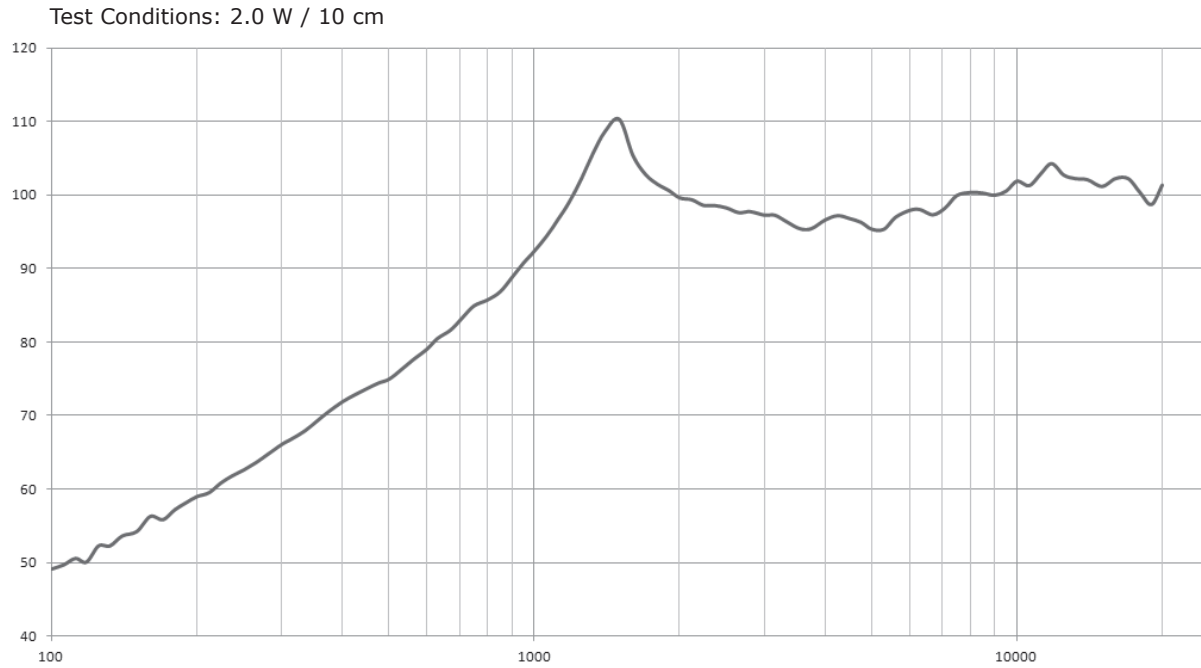
units: mm  
tolerance:  $\pm 0.2$  mm

wire: UL1571 30 AWG  
internal speaker: CMS-30205-124L40-67  
connector: Molex 51021-0200 or equivalent; P=1.25

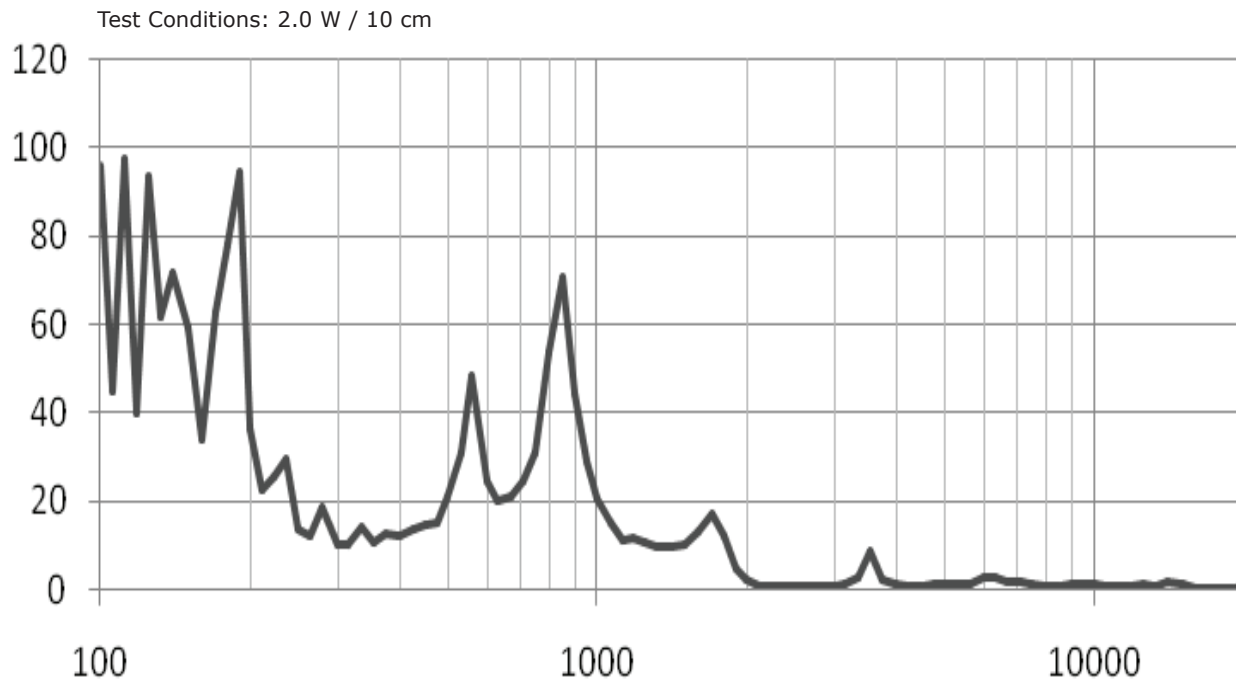


## RESPONSE CURVES

### Frequency Response Curve



### Total Harmonic Distortion Curve



## PACKAGING

units: mm

Tray Size: 330 x 245 mm  
 Tray QTY: 50 pcs per tray  
 Carton Size: 590 x 350 x 280 mm  
 Carton QTY: 2,000 pcs per carton

