

MODEL: CES-391715-18PM-67 | **DESCRIPTION:** SPEAKER**FEATURES**

- 1 W rated power
- 8 ohm rated impedance
- IP67 rated

**SPECIFICATIONS**

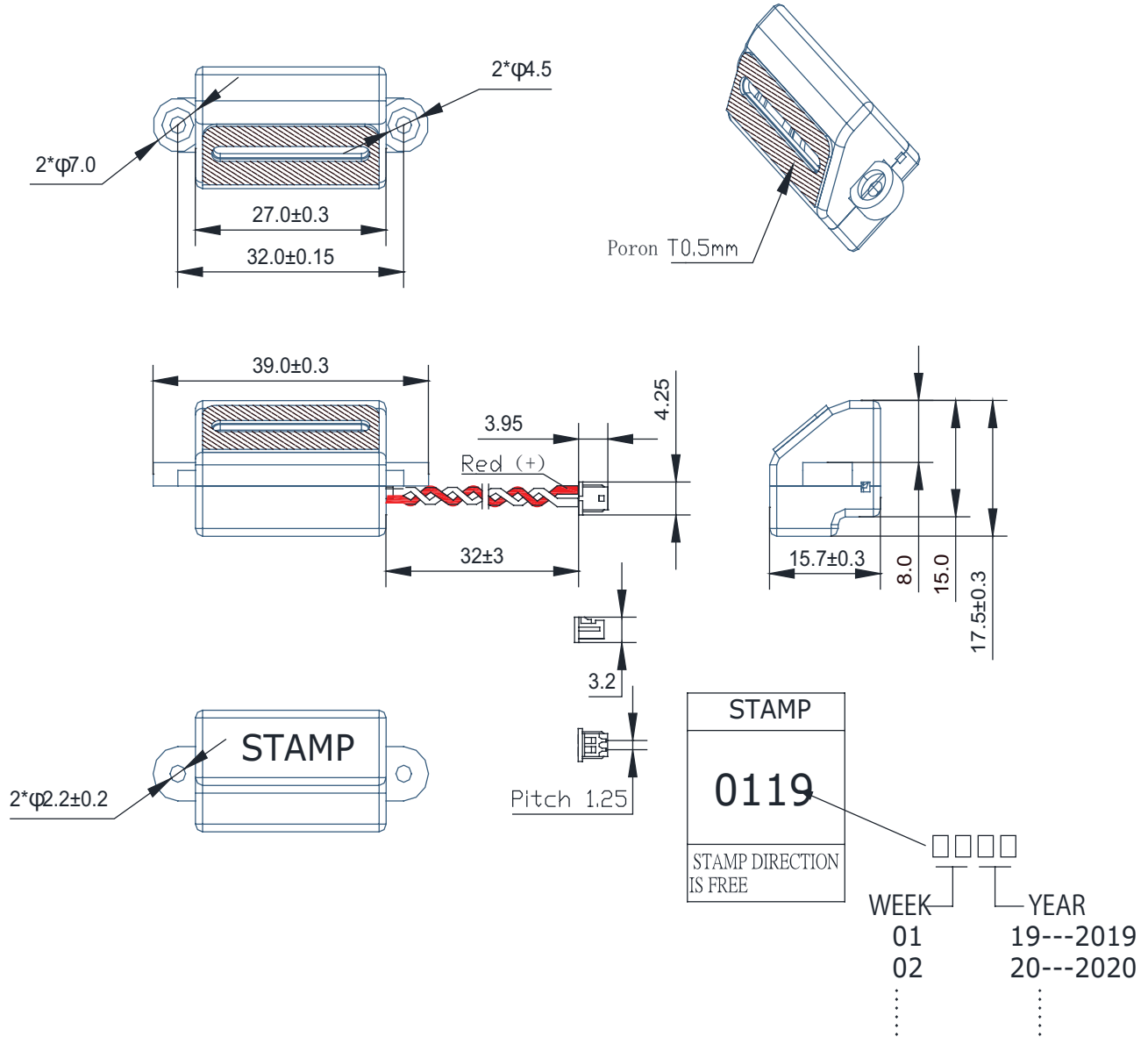
parameter	conditions/description	min	typ	max	units
input power	max power: IEC-60268-5, filter 60 seconds on, 120 seconds off, 10 cycles (room temp)		1.0	2.0	W
impedance	at 2.0 kHz	6.8	8	9.2	Ω
resonant frequency (Fo)	at 1.0 V	880	1,100	1,320	Hz
frequency response		Fo		6,000	Hz
sound pressure level	at 1.0 W, 10 cm, avg at 2.0 kHz	89	92	95	dB
distortion	at 2.0 kHz, rated power, 10 cm			10	%
buzz, rattle, etc.	must be normal at sine wave, frequency range			2.83	V
polarity	cone moves forward w/ positive dc current to "+" terminal				
dimensions	27.0 x 17.5 x 15.7				mm
magnet	Nd-Fe-B				
enclosure material	ABS				
cone material	PU+PEI				
terminal	wire leads with connector				
weight			4.5		g
operating temperature		-30		70	$^{\circ}$ C
storage temperature		-30		70	$^{\circ}$ C
RoHS	yes				
IP level	IP67 (front side)				

Notes: 1. All specifications measured at 15~35 $^{\circ}$ C, humidity at 25~75%, under 86~106 kPa pressure, unless otherwise noted.

MECHANICAL DRAWING

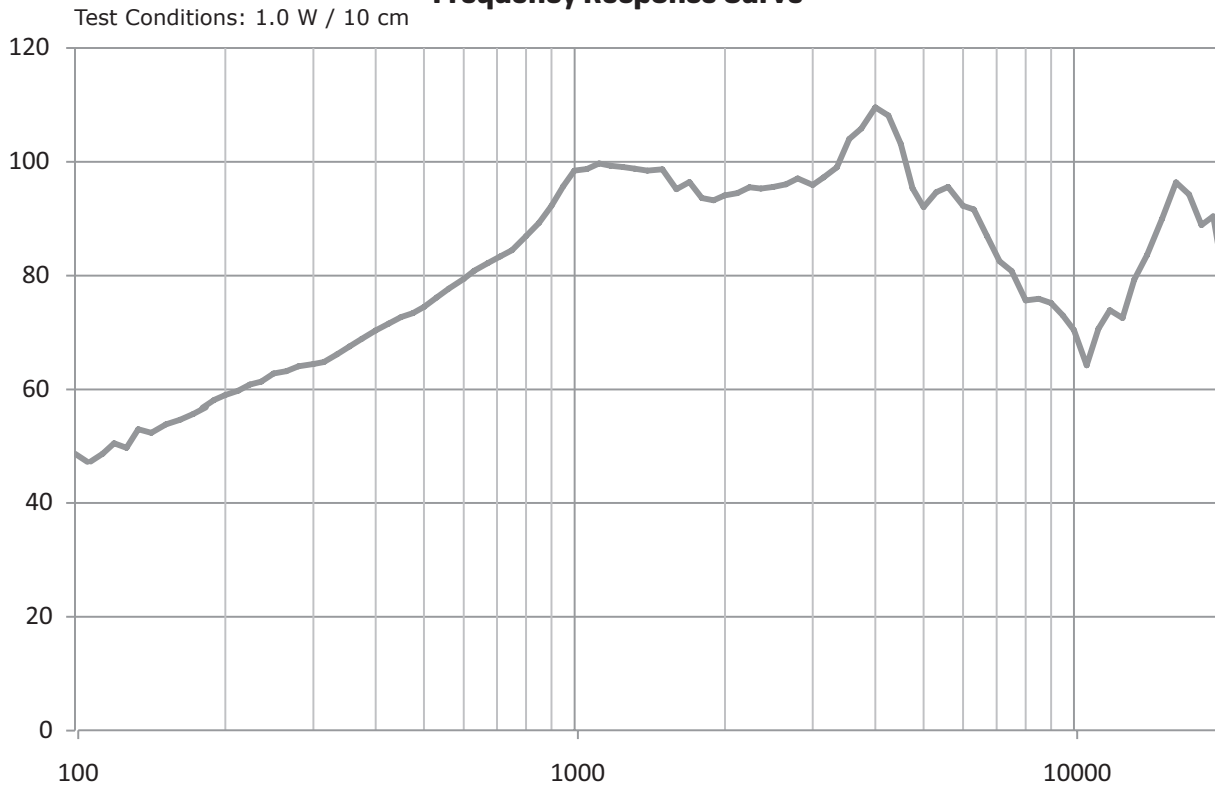
units: mm
tolerance: ± 0.5 mm

wire: UL1571 32 AWG
internal speaker: CMS-25145-18SP
connector: Molex 51021-0200 or equivalent; P=1.25

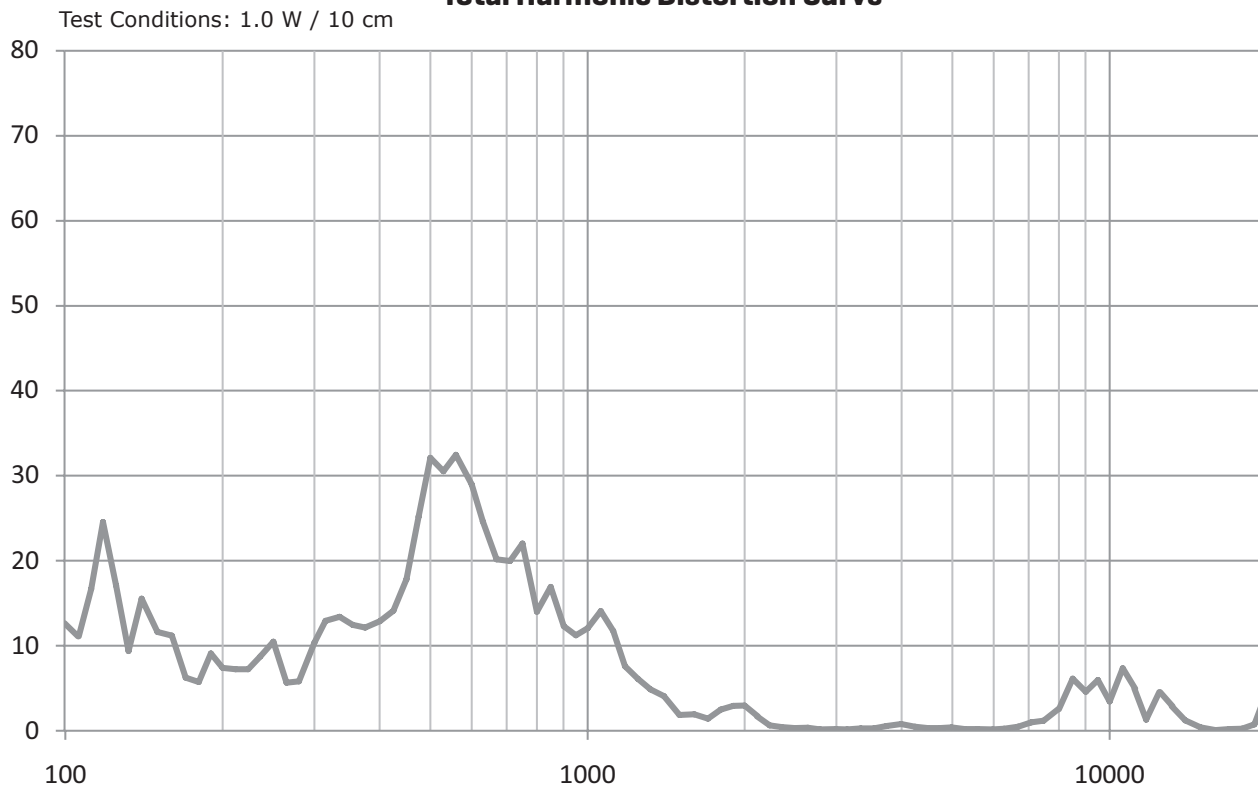


RESPONSE CURVES

Frequency Response Curve



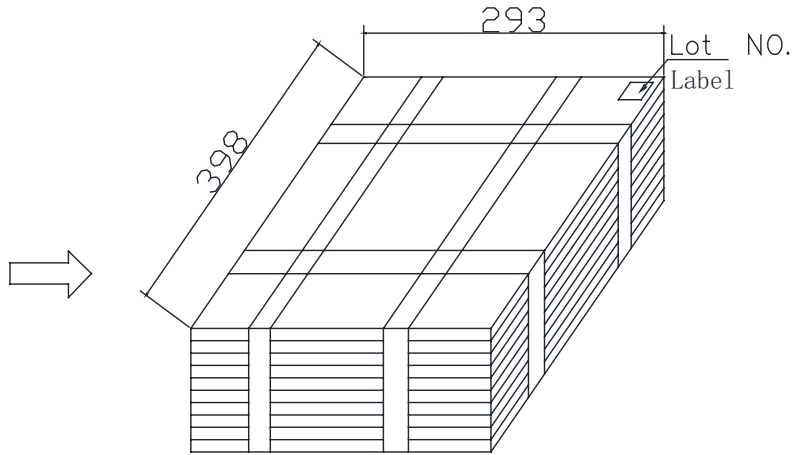
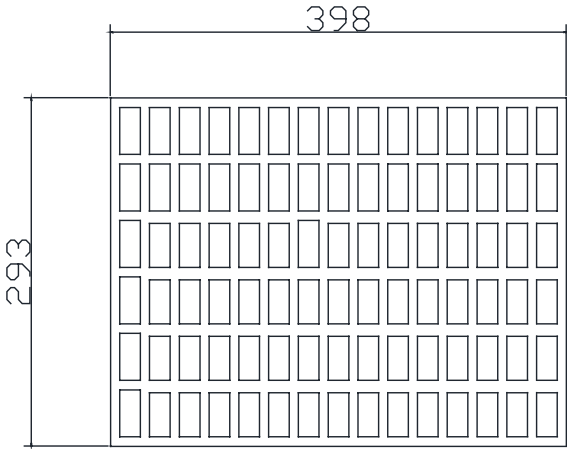
Total Harmonic Distortion Curve



PACKAGING

units: mm

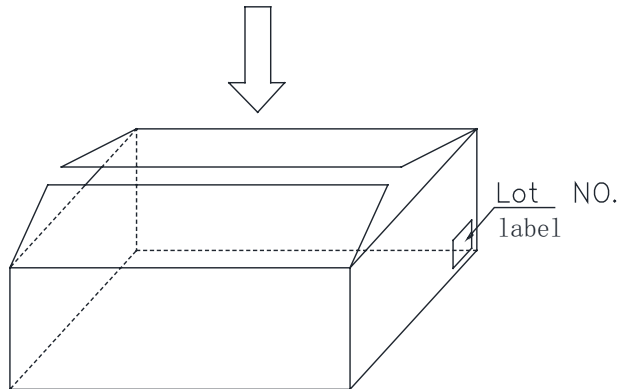
Tray Size: 398 x 293 x 21.5 mm
 Tray QTY: 90 pcs per tray
 Carton Size: 418 x 313 x 365 mm
 Carton QTY: 1,530 pcs per carton



Paper(3mm-1)+Bubble cotton(18.5mm)

Lot No.	XXXXXXXXXX
Part No.	CUI Inv#. CUI Part#.
Quantity.	XXXX Pcs
Date:	
	DD MM YY
	MADE IN CHINA
	CUI DEVICES

RoHS Compliant



CARTON BOX(1530PCS)
418x313x365MM

2Corrugated layer, thickness
7mm