

MODEL: CES-39209-28PM | **DESCRIPTION:** SPEAKER**FEATURES**

- 2 W rated power
- 8 ohm rated impedance
- panel mount

**SPECIFICATIONS**

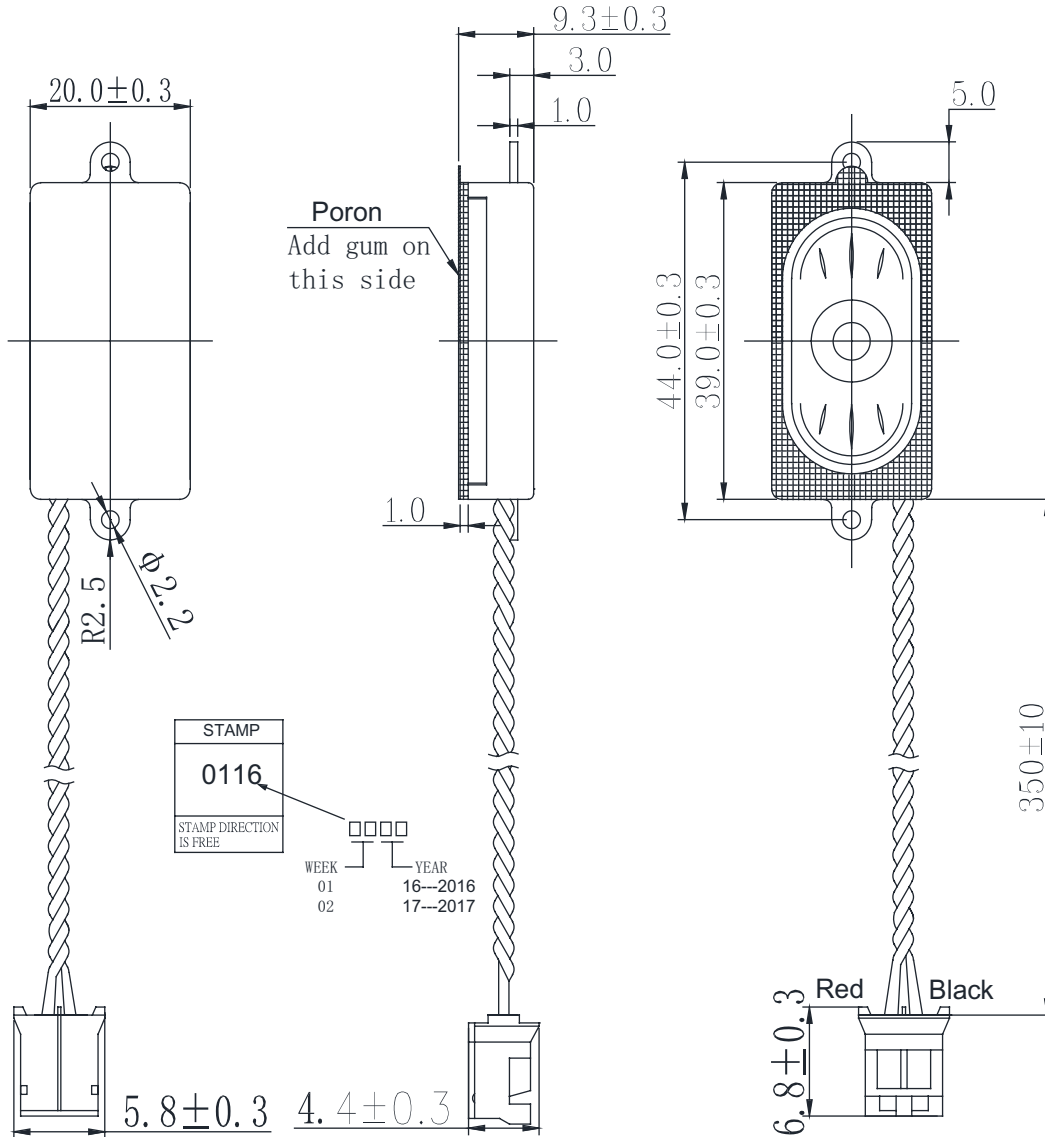
parameter	conditions/description	min	typ	max	units
input power	max power: IEC-60268-5, filter 60 seconds on, 120 seconds off, 10 cycles (room temp)		2.0	2.5	W
impedance	at 2.0 kHz	6.8	8	9.2	Ω
resonant frequency (Fo)	at 1.0 V	960	1,200	1,440	Hz
frequency response		Fo		20,000	Hz
sound pressure level	at 0.1 W, 0.1 m, avg at 1.2, 1.5, 2.0, 2.5 kHz	85	88	91	dB
	at 2.0 W, 0.1 m, avg at 1.2, 1.5, 2.0, 2.5 kHz	94	97	100	dB
distortion	at 2.0 kHz, 0.1 W, 10 cm			10	%
buzz, rattle, etc.	must be normal at sine wave, frequency range			4.0	V
polarity	cone moves forward w/ positive dc current to "+" terminal				
dimensions	39.0 x 20.0 x 9.3				mm
magnet	Nd-Fe-B				
enclosure material	PBT				
cone material	cloth				
terminal	wire leads with connector				
weight			8.0		g
operating temperature		-20		60	$^{\circ}\text{C}$
storage temperature		-30		70	$^{\circ}\text{C}$
RoHS	yes				

Notes: 1. All specifications measured at 25~75 $^{\circ}\text{C}$, humidity at 45~85%, under 86~106 kPa pressure, unless otherwise noted.

MECHANICAL DRAWING

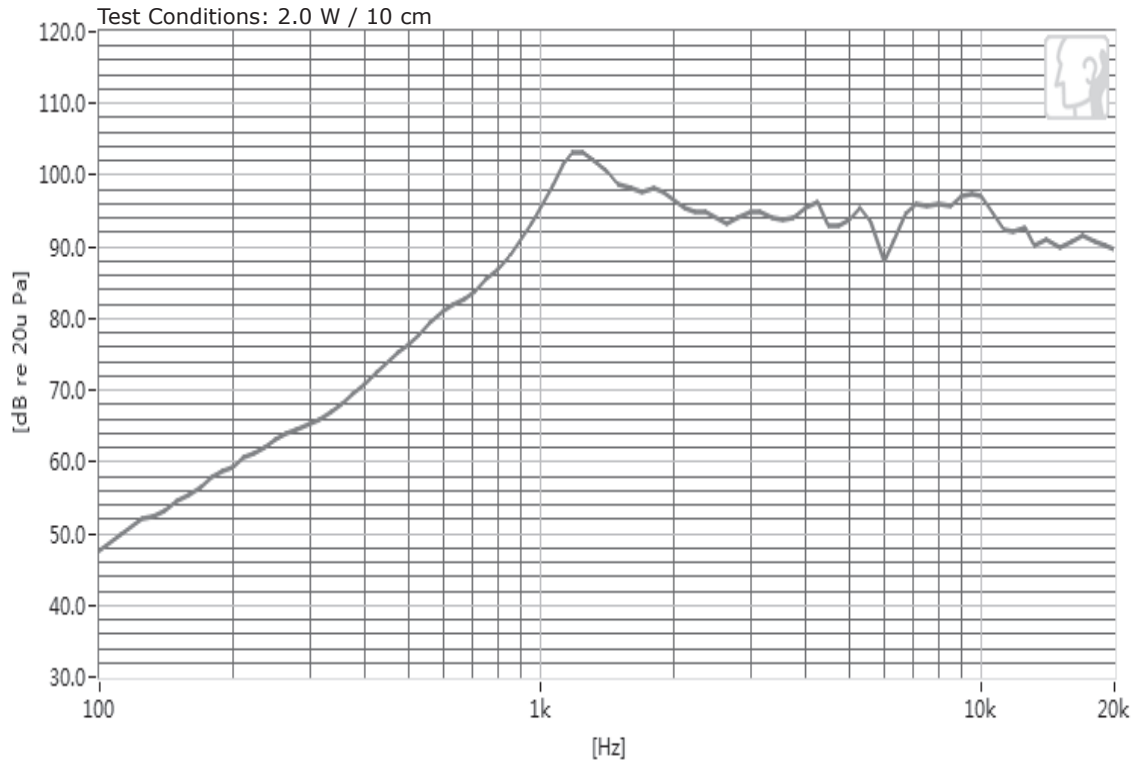
units: mm
tolerance: ± 0.2 mm

wire: UL1571 30 AWG
internal speaker: CMS-35206-158
connector: JVT 1124HNO-02 P=2.0

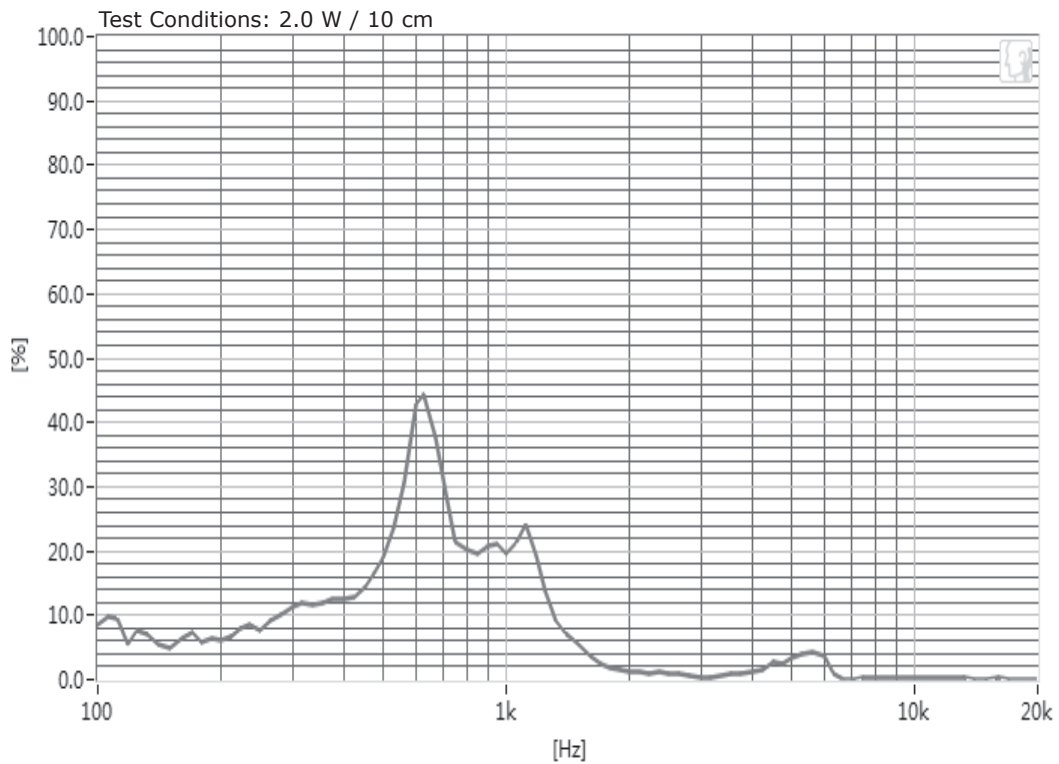


RESPONSE CURVES

Frequency Response Curve



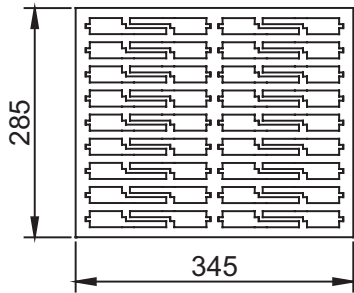
Total Harmonic Distortion Curve



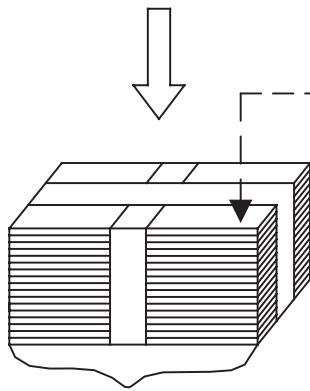
PACKAGING

units: mm

Tray Size: 345 x 285 mm
 Tray QTY: 36 pcs per tray
 Carton Size: 365 x 300 x 285 mm
 Carton QTY: 540 pcs per carton



36pcs



540pcs

Lot No.	XXXXXXXXXX
Part No.	CUI Inv#. CUI Part#.
Quantity.	XXXX Pcs
Date:	DD MM YY
MADE IN CHINA	
CUI DEVICES	

RoHs Compliant

