

**MODEL:** CES-434313-28PM-67 | **DESCRIPTION:** SPEAKER**FEATURES**

- IP67 rated
- 8 ohm rated impedance
- 2 W rated power

**SPECIFICATIONS**

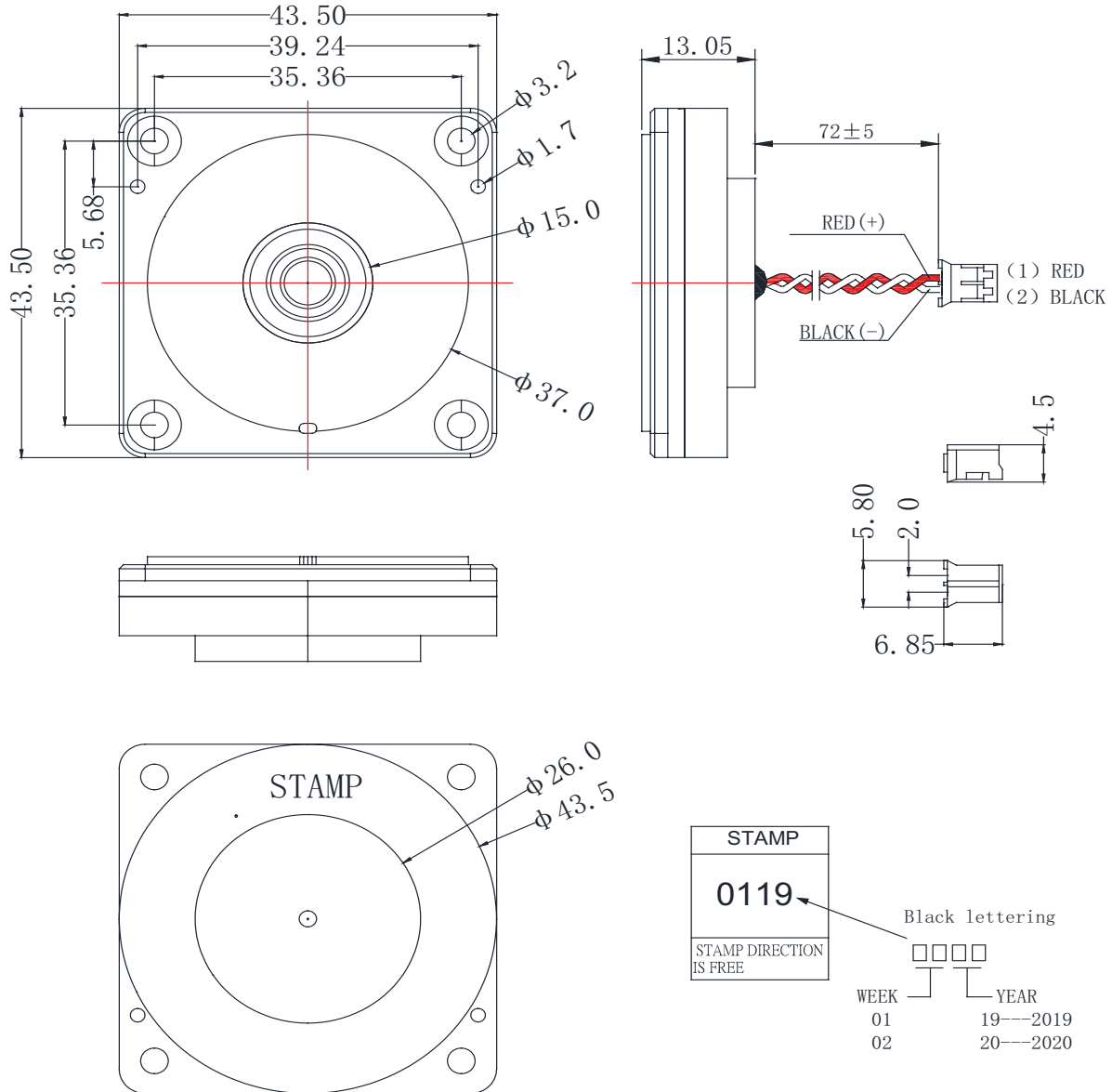
parameter	conditions/description	min	typ	max	units
input power	max power: IEC-60268-5, filter 60 seconds on, 120 seconds off, 10 cycles (room temp)		2.0	2.5	W
impedance	at 2.0 kHz, 1.0 V	6.8	8	9.2	$\Omega$
resonant frequency (Fo)	at 1.0 V	1,120	1,400	1,680	Hz
frequency response		Fo		8,000	Hz
sound pressure level	at 2.0 W, 10 cm, avg at 2.0 kHz	103	106	109	dB
distortion	at 2.0 kHz, rated power, 10 cm			10	%
buzz, rattle, etc.	must be normal at sine wave, frequency range			4.0	V
polarity	cone moves forward w/ positive dc current to "+" terminal				
dimensions	43.5 x 43.5 x 13.05				mm
magnet	Nd-Fe-B				
enclosure material	ABS				
cone material	PEN				
terminal	wire leads with connector				
weight			16.0		g
operating temperature		-30		65	$^{\circ}\text{C}$
storage temperature		-30		75	$^{\circ}\text{C}$
RoHS	yes				
IP level	IP67 (front side)				

Notes: 1. All specifications measured at 25~75 $^{\circ}\text{C}$ , humidity at 45~85%, under 86~106 kPa pressure, unless otherwise noted.

## MECHANICAL DRAWING

units: mm  
tolerance: ±0.3 mm

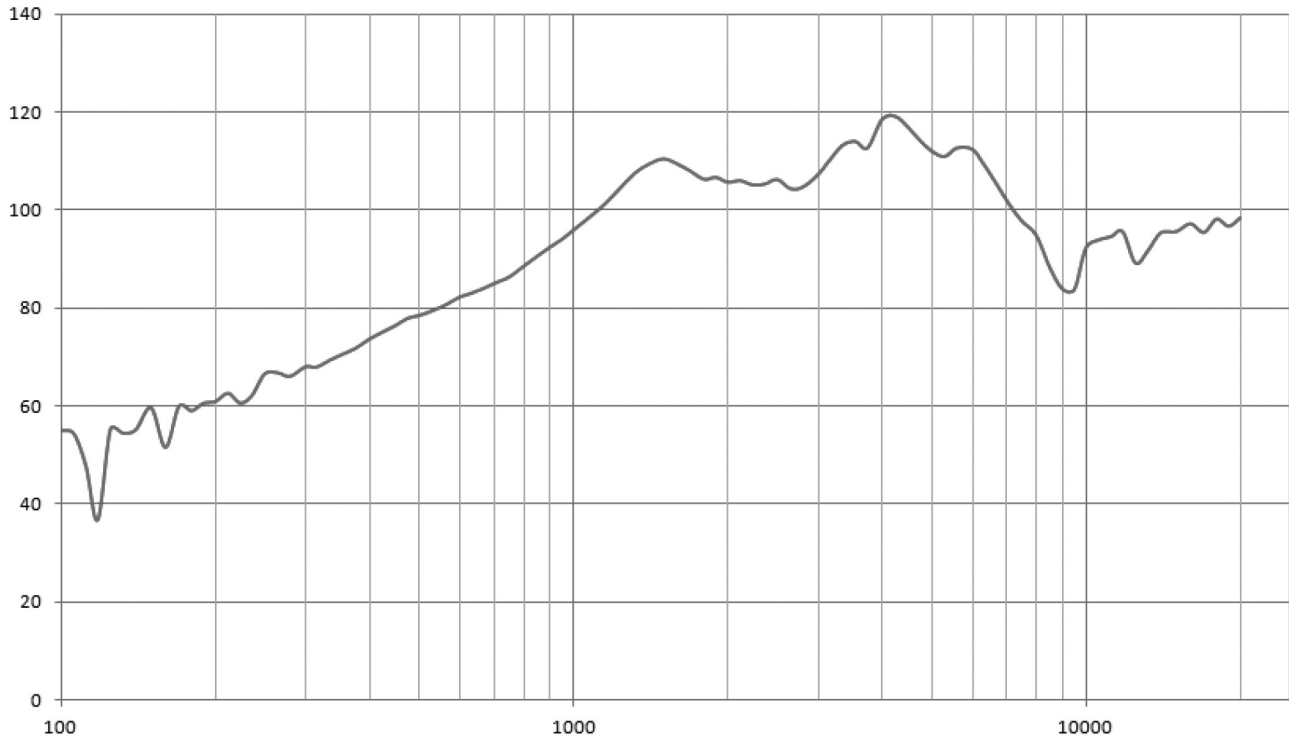
wire: UL1571 30 AWG  
internal speaker: CMS-405-158N-67  
connector: JST PHR-2 or equivalent; P=2.0



## RESPONSE CURVES

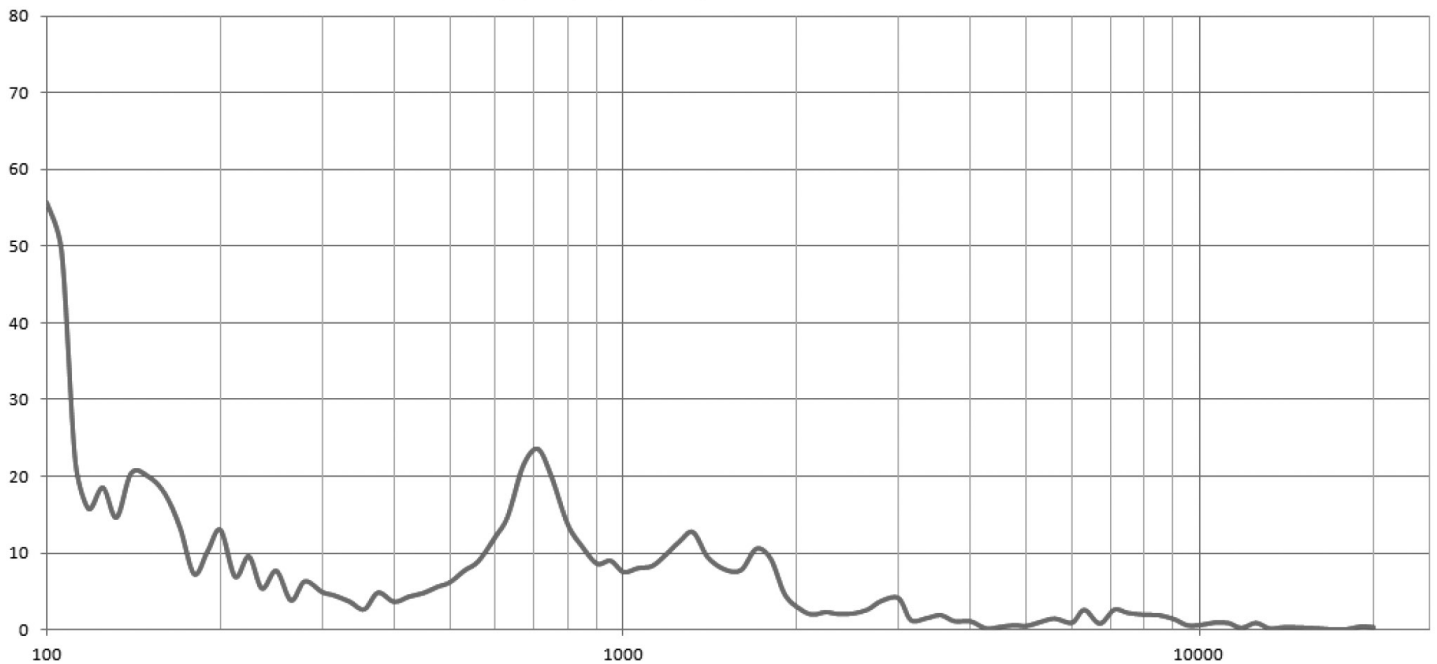
### Frequency Response Curve

Test Conditions: 2.0 W / 10 cm



### Total Harmonic Distortion Curve

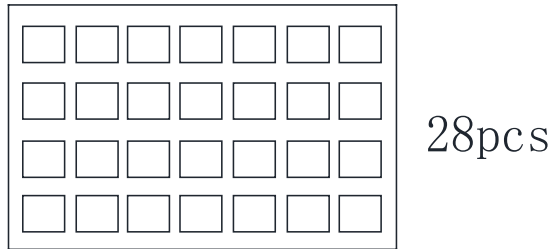
Test Conditions: 2.0 W / 10 cm



## PACKAGING

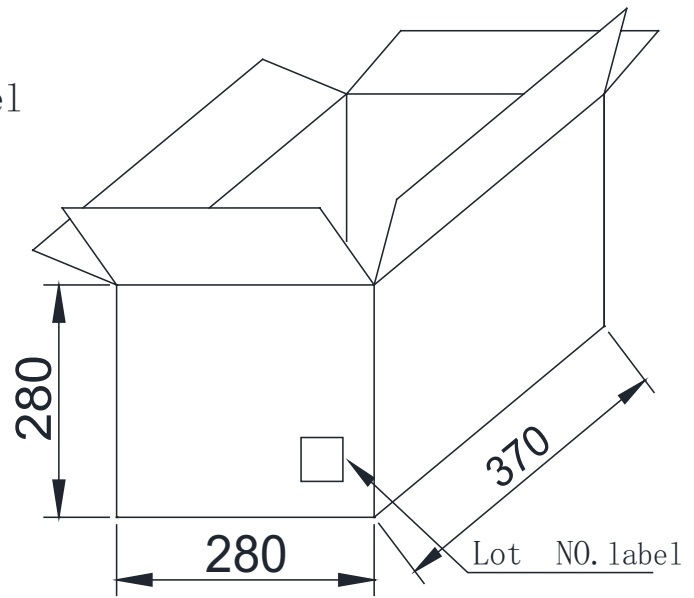
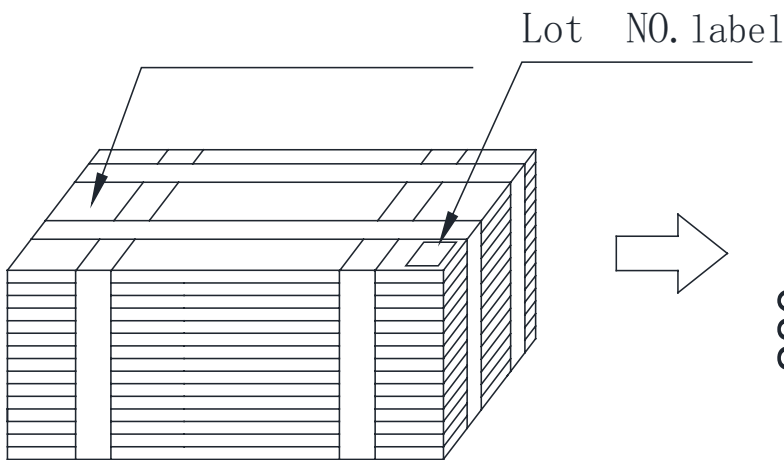
units: mm

Tray Size: 350 x 255 x 20 mm  
 Tray QTY: 28 pcs per tray  
 Carton Size: 370 x 280 x 280 mm  
 Carton QTY: 364 pcs per carton



Lot No.	XXXXXXXXXX
Part No.	CUI Inv#. CUI Part#.
Quantity.	XXXX Pcs
Date:	DD MM YY
MADE IN CHINA	
CUI DEVICES	

**RoHs Compliant**



$28\text{pcs} \times 13 = 364\text{pcs}$