

**SERIES:** CES-571423-28PM | **DESCRIPTION:** SPEAKER**FEATURES**

- cloth cone
- paper dust cap
- 2 panel mount flanges
- 305 mm lead wire
- wire leads with connector options

**SPECIFICATIONS**

parameter	conditions/description	min	typ	max	units
input power	max power: 1 second on, 59 seconds off, 60 cycles		2.0	3.0	W
impedance	at 1.0 kHz, 1 Vrms	6.8	8	9.2	$\Omega$
resonant frequency (Fo)	at 1 Vrms, 10 cm	560	700	840	Hz
frequency response	as per IEC 268-5	Fo		20,000	Hz
sound pressure level	at 2.0 W, 10 cm, avg at 0.8, 1.0, 1.18, 1.5 kHz	97	100	103	dB
distortion	at 2.0 kHz, rated power, 10 cm			10	%
buzz, rattle, etc.	must be normal at sine wave, frequency range			4.0	V
polarity	cone moves forward w/ positive dc current to "+" terminal				
dimensions	57.5 x 23 x 14.85				mm
magnet	Nd-Fe-B				
enclosure material	black ABS				
cone material	cloth				
terminal	wire leads				
weight		11	13	15	g
operating temperature		-20		60	$^{\circ}\text{C}$
storage temperature		-30		70	$^{\circ}\text{C}$
RoHS	yes				

Notes: 1. All specifications measured at 15~35 $^{\circ}\text{C}$ , humidity at 25~75%, under 86~106 kPa pressure, unless otherwise noted.

**PART NUMBER KEY****CES-571423-28PM X**

Base Number

Termination Options:

"blank" = wire leads, no connector

A = wire leads with Molex housing 51021-0200

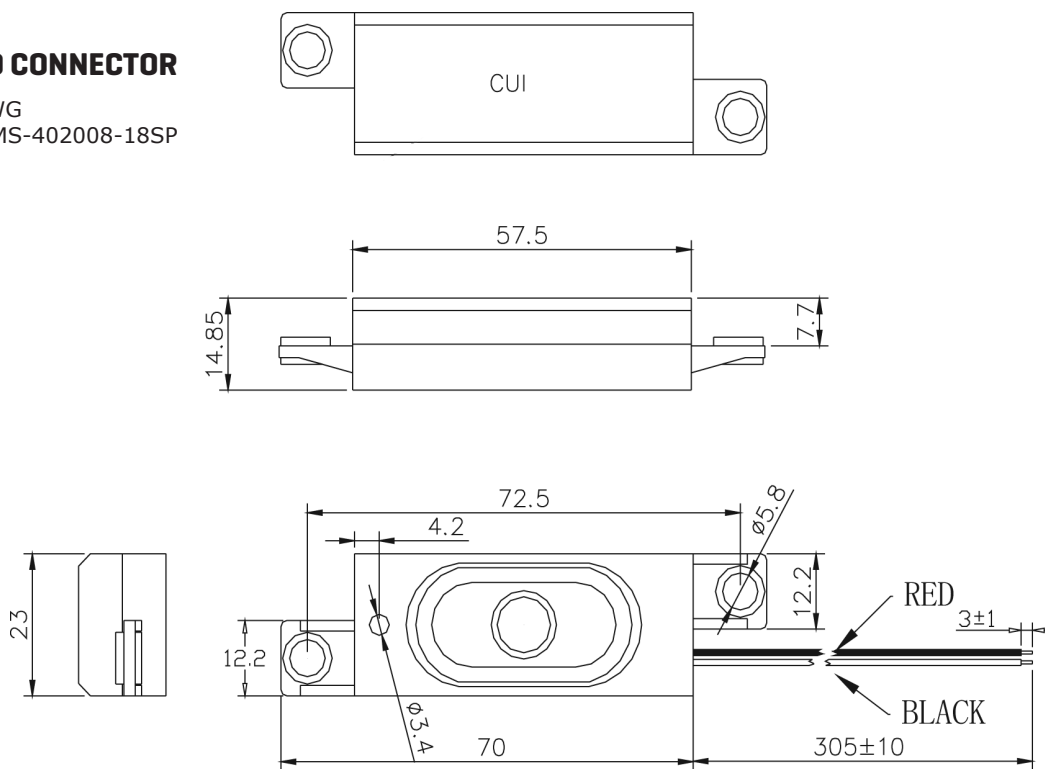
B = wire leads with JST housing SHR-02V-S-B

## MECHANICAL DRAWINGS

units: mm  
tolerance:  $\pm 0.5$  mm

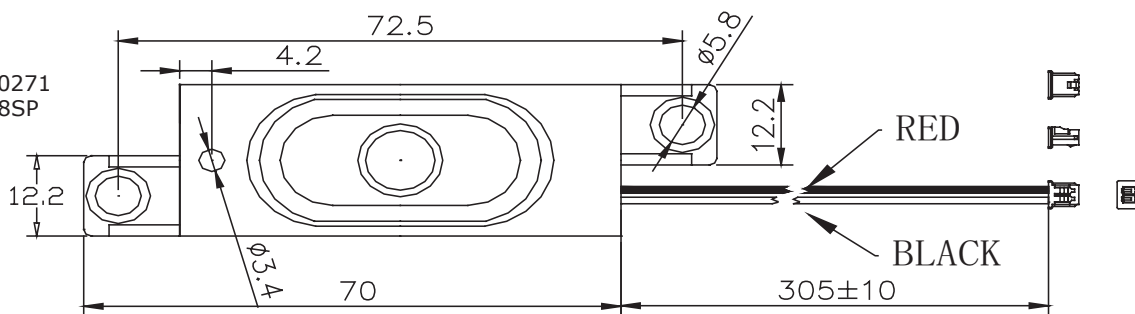
### WIRE LEADS, NO CONNECTOR

wire: UL1061 26 AWG  
internal speaker: CMS-402008-18SP



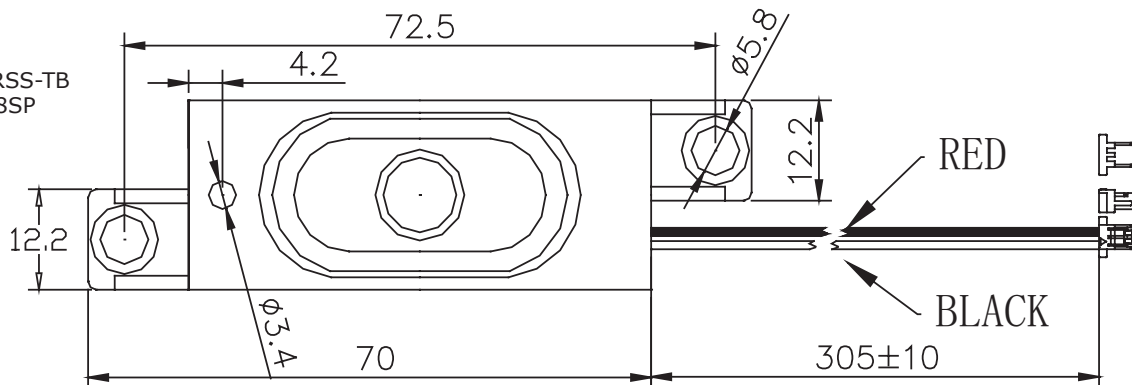
### WIRE LEADS WITH MOLEX CONNECTOR

wire: UL 1571 28 AWG  
connector: Molex 51021-0200  
mating connector: Molex 53261-0271  
internal speaker: CMS-402008-18SP



### WIRE LEADS WITH JST CONNECTOR

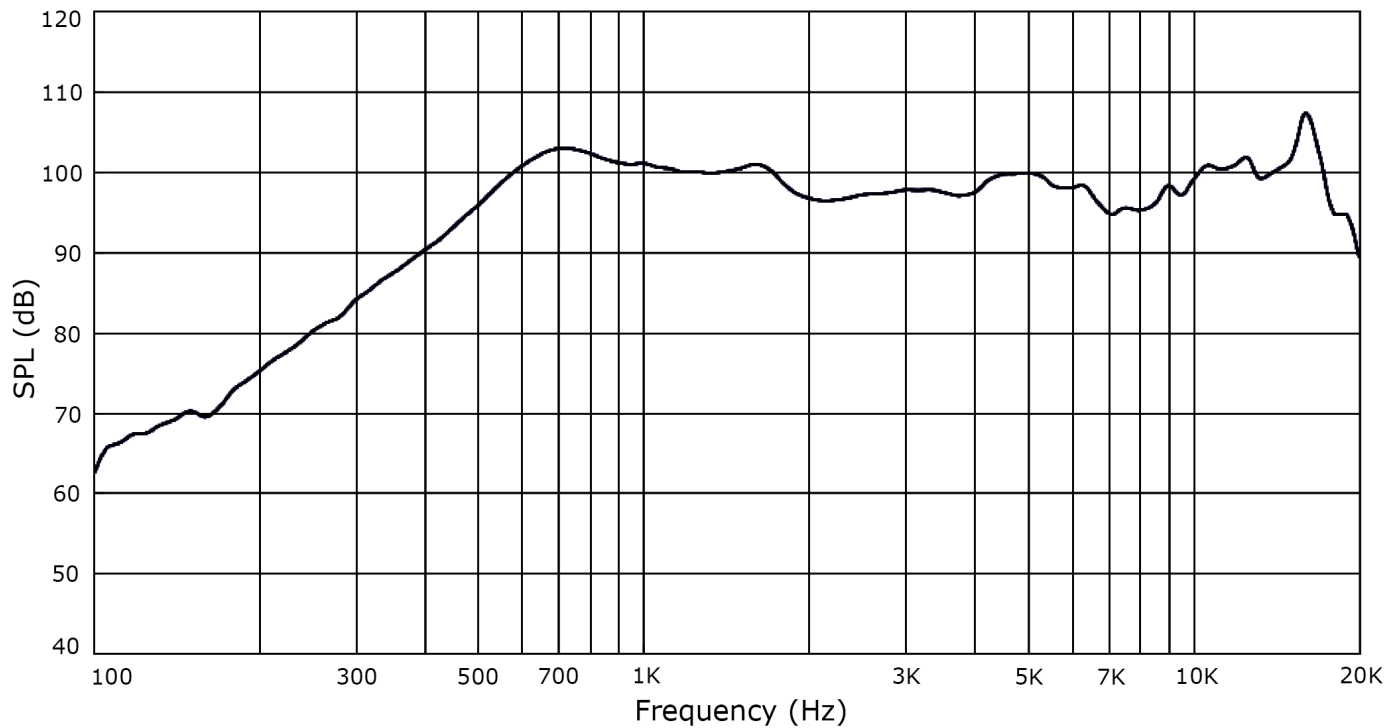
wire: UL 1571 28 AWG  
connector: JST SHR-02V-S-B  
mating connector: JST BM02B-SRSS-TB  
internal speaker: CMS-402008-18SP



## RESPONSE CURVES

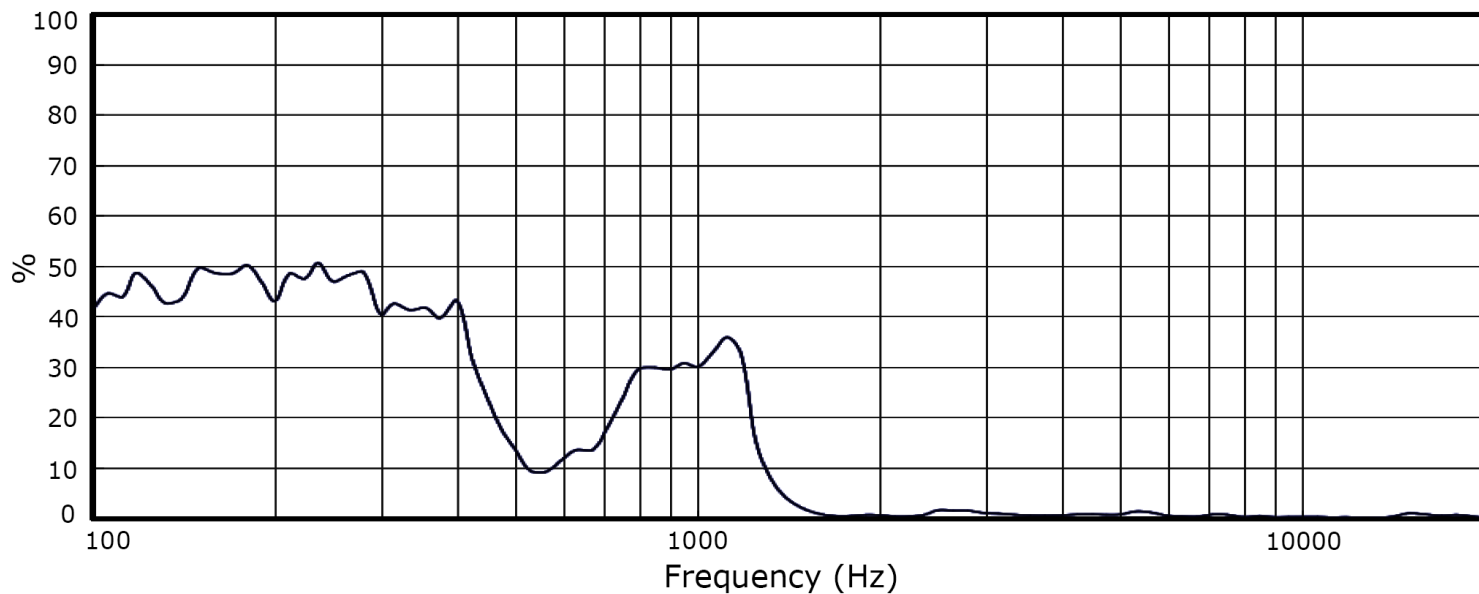
### Frequency Response Curve

Test Conditions: 4.0 Vrms / 10 cm



### Total Harmonic Distortion Curve

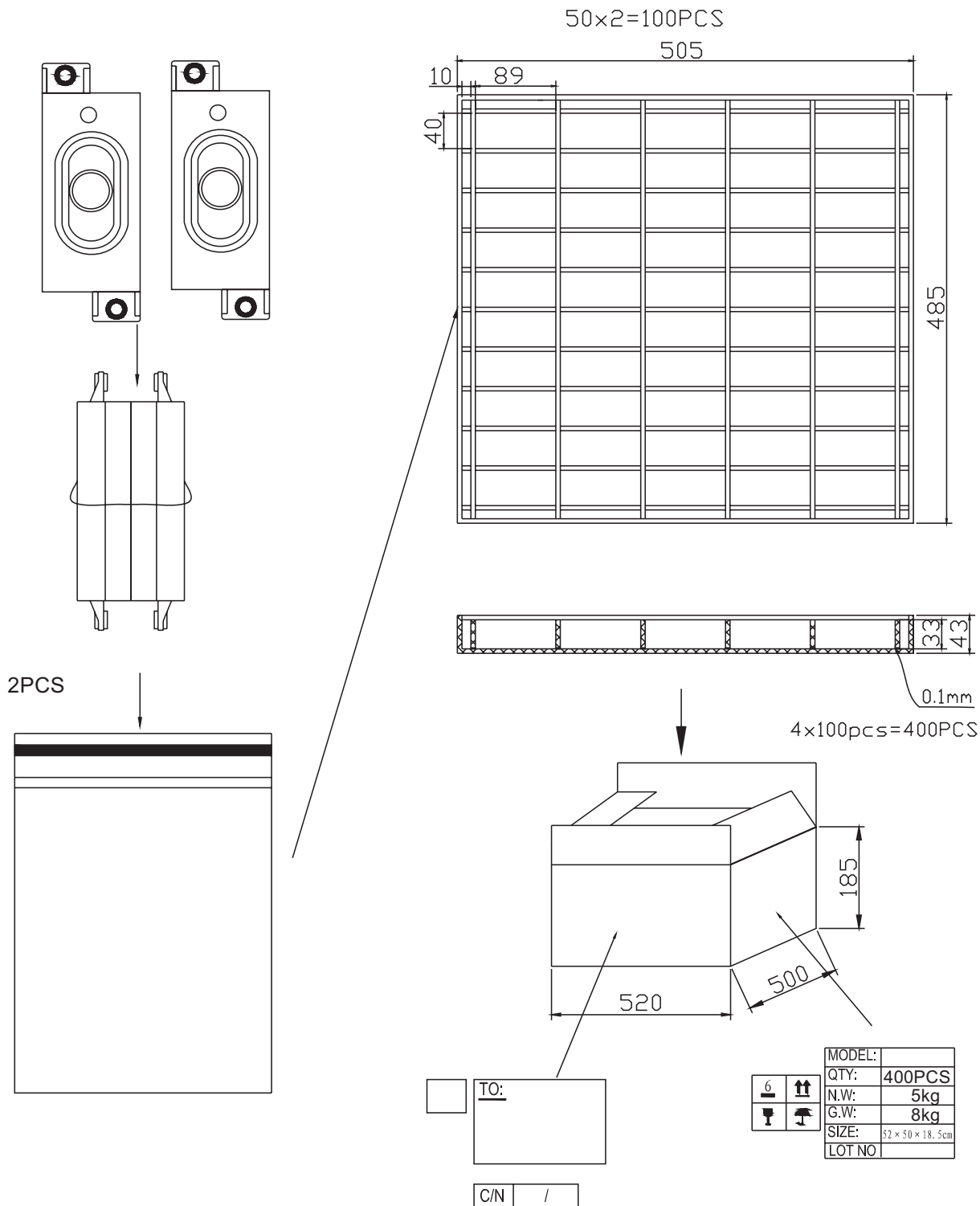
Test Conditions: 4.0 Vrms / 10 cm



## PACKAGING

units: mm

Tray QTY: 100 pcs per tray  
 Carton Size: 520 x 500 x 185 mm  
 Carton QTY: 400 pcs per carton



MODEL:	
QTY:	400PCS
N.W:	5kg
G.W:	8kg
SIZE:	52 x 50 x 18.5cm
LOT NO	



TO:

C/N /