

MODEL: CES-703116-28PM | **DESCRIPTION:** SPEAKER**FEATURES**

- cloth and paper cones
- 4 screw holes for mounting
- 420 mm lead wire
- connector

**SPECIFICATIONS**

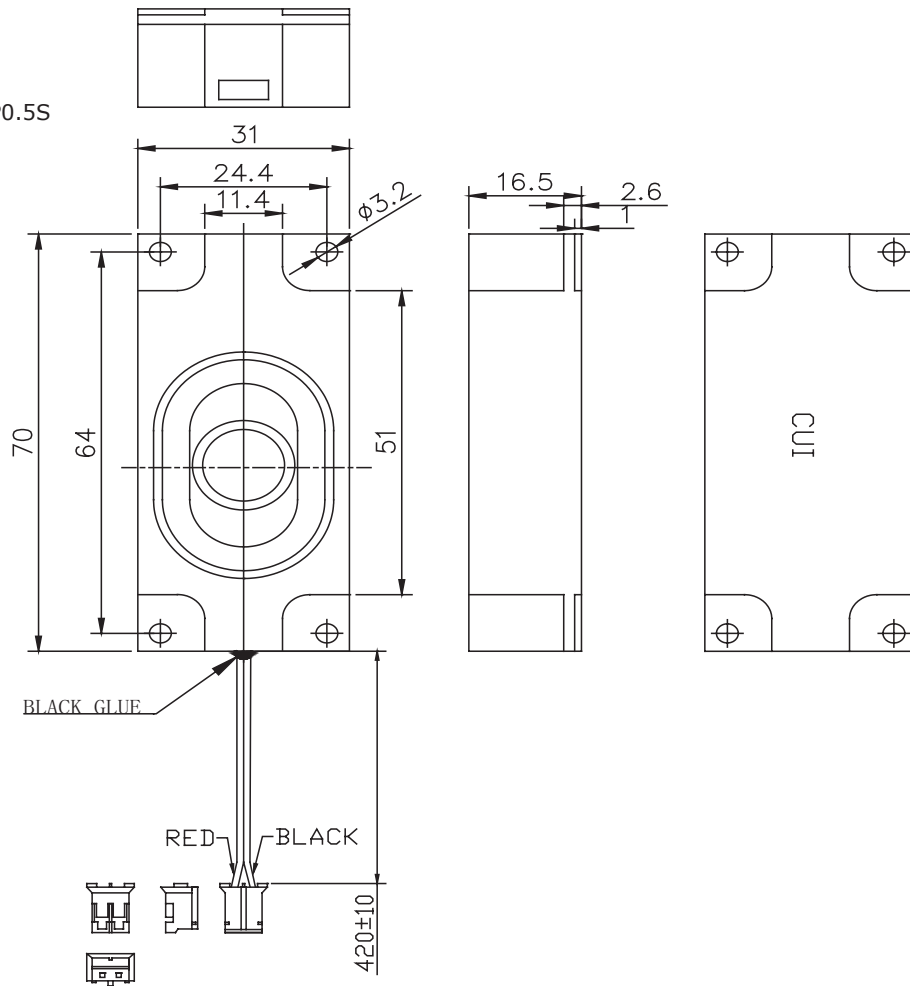
parameter	conditions/description	min	typ	max	units
input power	max power: 1 minute on, 2 minutes off, 10 cycles		2.0	3.0	W
impedance	at 1.0 kHz, 0.89 Vrms	6.8	8.0	9.2	Ω
resonant frequency (Fo)	at 0.89 Vrms	568	710	852	Hz
frequency response		Fo		20,000	Hz
sound pressure level	at 2 W, 10 cm, avg at 0.8, 1.0, 1.18, 1.5 kHz	99	102	105	dB
distortion	at 2.0 kHz, rated power, 10 cm			10	%
buzz, rattle, etc.	must be normal at sine wave, 200~20,000 Hz			4.0	V
polarity	cone moves forward w/ positive dc current to "+" terminal				
dimensions	70 x 31 x 16.5				mm
magnet	Nd-Fe-B				
enclosure material	ABS				
cone material	paper + cloth				
terminal	wire leads w/ connector				
weight			21		g
operating temperature		-20		60	$^{\circ}\text{C}$
storage temperature		-30		70	$^{\circ}\text{C}$
RoHS	yes				

Notes: 1. All specifications measured at 15~35 $^{\circ}\text{C}$, humidity at 45~85%, under 86~106 kPa pressure, unless otherwise noted.

MECHANICAL DRAWING

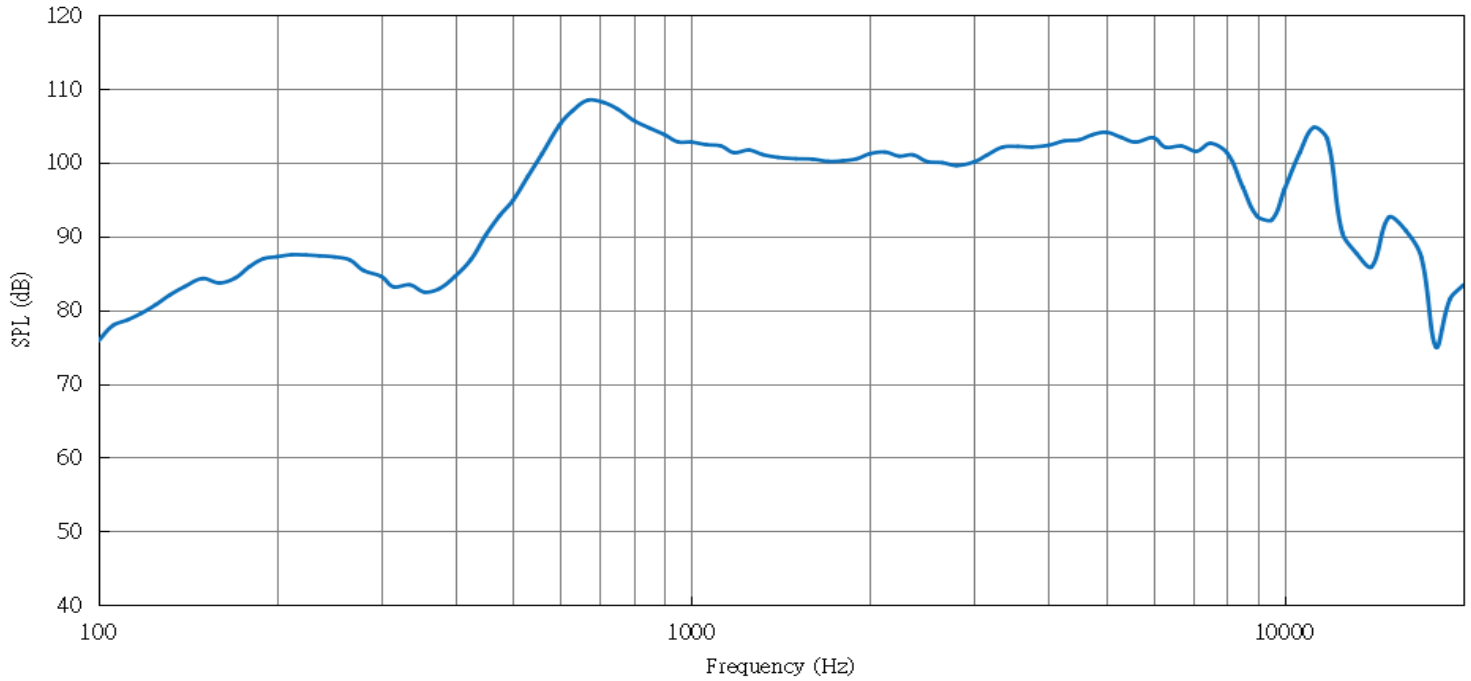
units: mm
tolerance: ± 0.5 mm

wire: UL1007 26 AWG
connector: JST PHR-2
terminal: JST SPH-002T-P0.5S

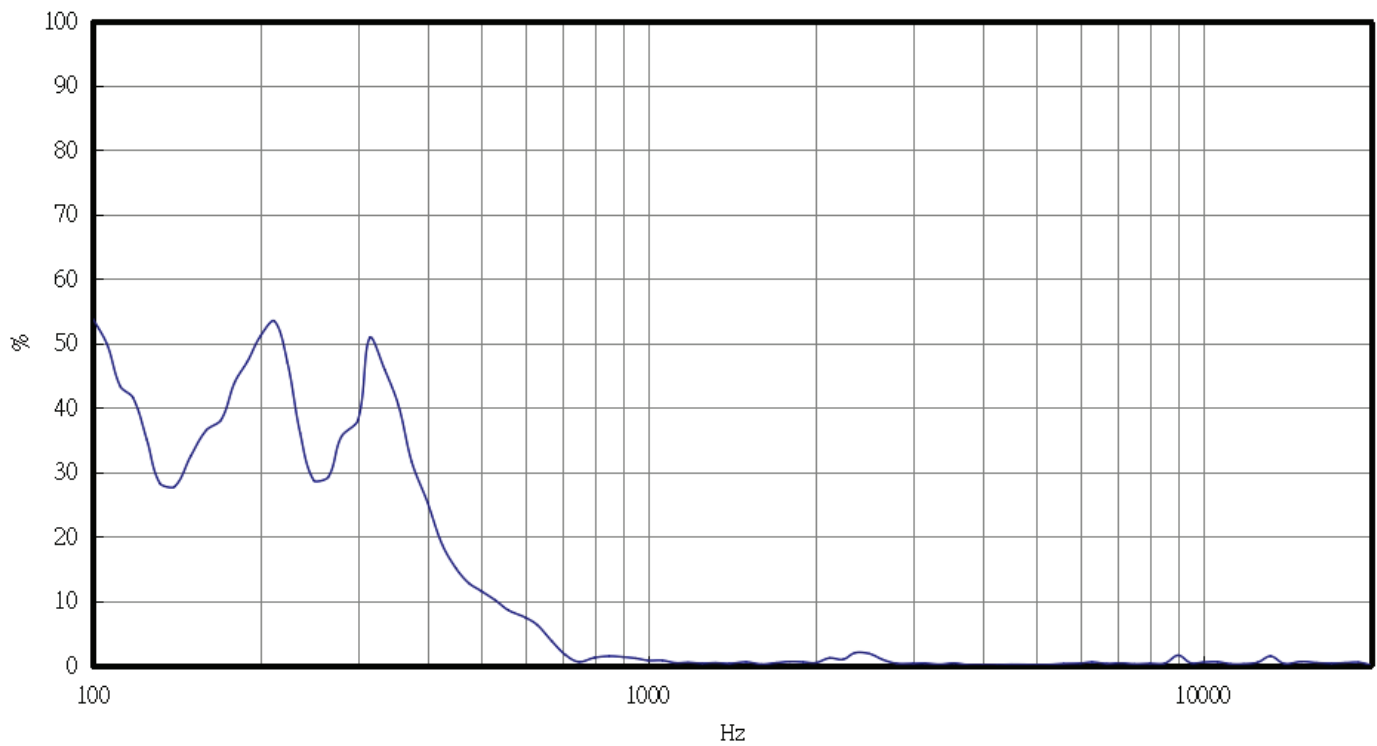


RESPONSE CURVES

Frequency Response Curve



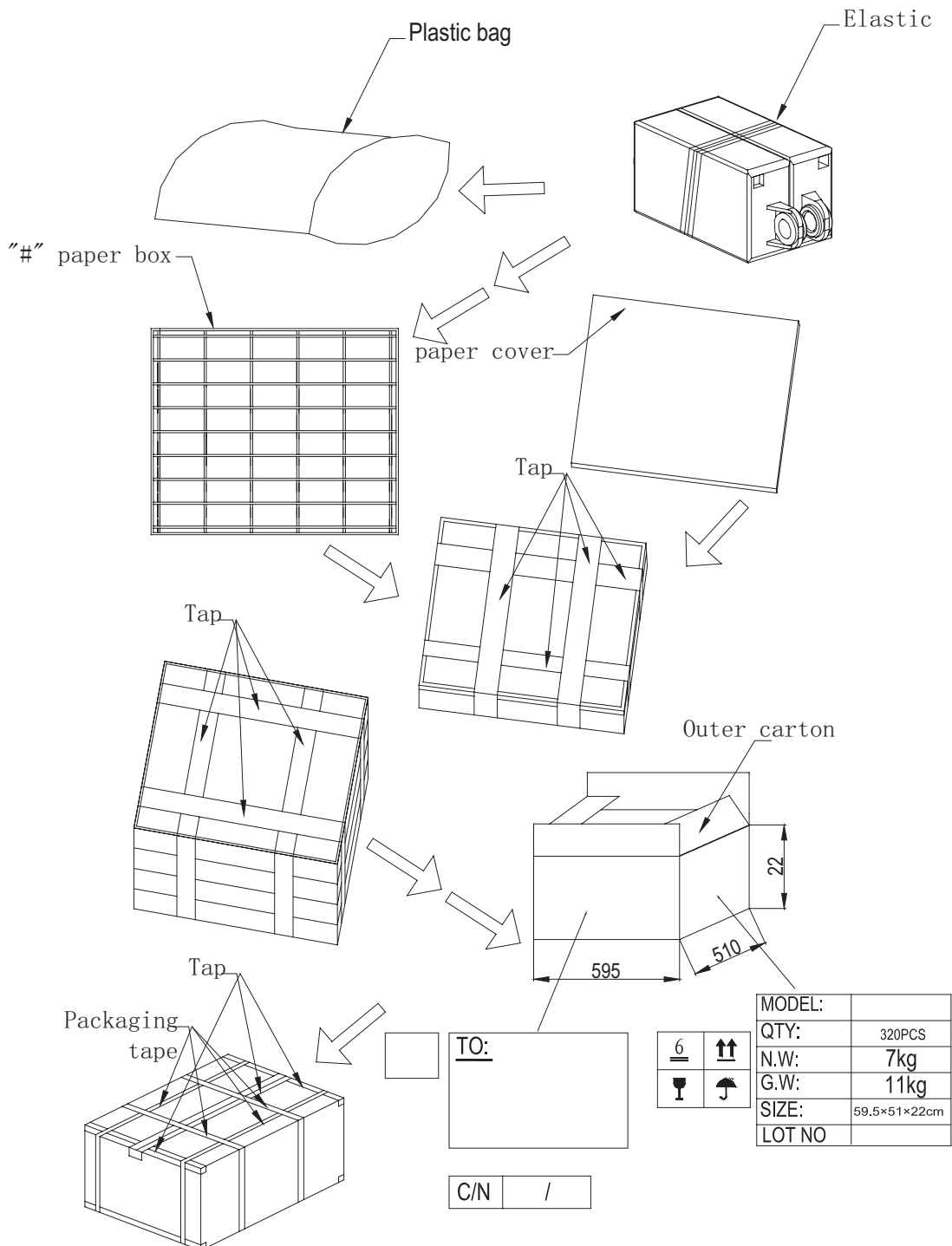
Total Harmonic Distortion Curve



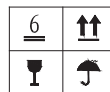
PACKAGING

units: mm

Tray QTY: 80 pcs per box (40 sets per box)
 Carton Size: 595 x 510 x 220 mm
 Carton QTY: 320 pcs per carton



MODEL:	
QTY:	320PCS
N.W:	7kg
G.W:	11kg
SIZE:	59.5×51×22cm
LOT NO	



C/N /