

MODEL: CES-803118-28PM | **DESCRIPTION:** SPEAKER**FEATURES**

- paper dust cap
- 4 screw holes for mounting
- 135 mm lead wire
- connector

**SPECIFICATIONS**

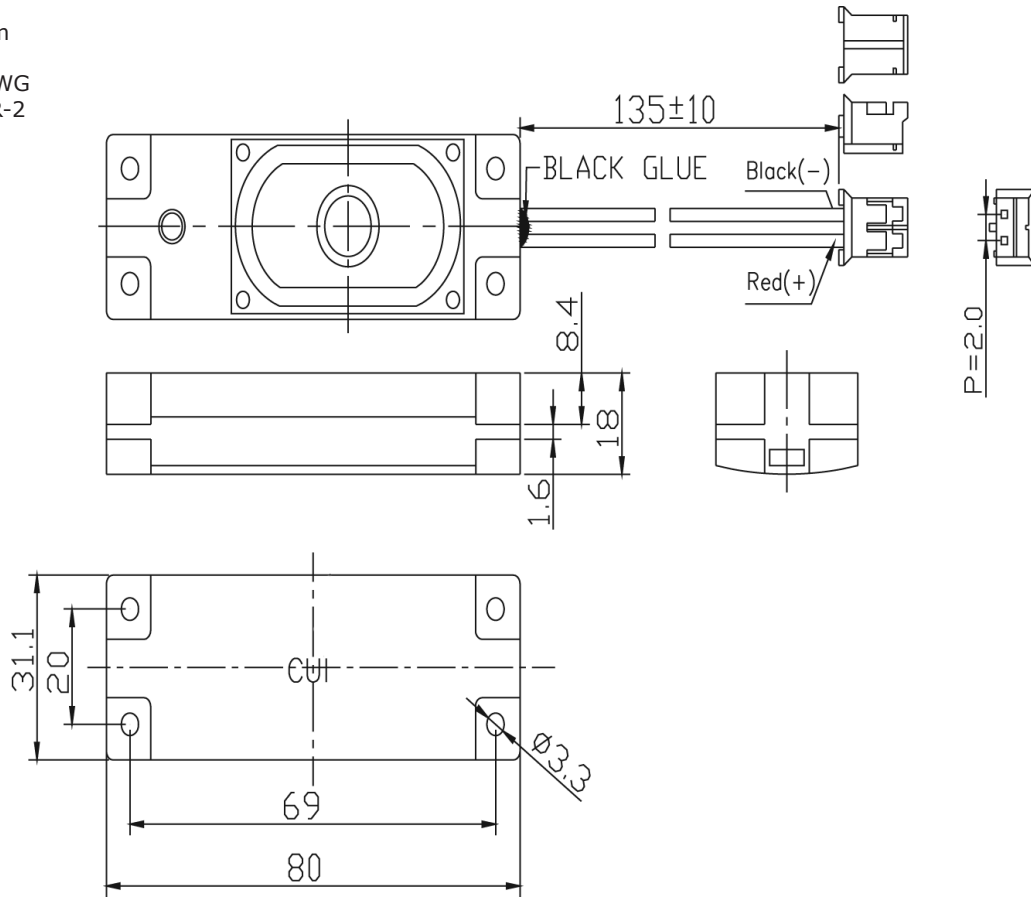
parameter	conditions/description	min	typ	max	units
input power	max power: 1 minute on, 2 minutes off, 10 cycles		2.0	3.0	W
impedance	at 1.0 kHz, 1 Vrms	6.8	8	9.2	Ω
resonant frequency (Fo)	at 1.0 Vrms, 10 cm	520	650	780	Hz
frequency response	as per IEC 268-5	200		20,000	Hz
sound pressure level	at 2.0 W, 10 cm, avg at 0.8, 1.0, 1.2, 1.5 kHz	97	100	103	dB
distortion	at 1.0 kHz, 1.0 Vrms, 10 cm			5	%
buzz, rattle, etc.	must be normal at sine wave, 20 Hz~2.2 kHz			4.0	V
polarity	cone moves forward w/ positive dc current to "+" terminal				
dimensions	80 x 31 x 18				mm
magnet	Nd-Fe-B				
enclosure material	ABS				
cone material	cloth				
terminal	wire leads w/ connector				
weight		16	21	26	g
operating temperature		-20		60	$^{\circ}\text{C}$
storage temperature		-30		70	$^{\circ}\text{C}$
RoHS	yes				

Notes: 1. All specifications measured at 15~35 $^{\circ}\text{C}$, humidity at 25~75%, under 86~106 kPa pressure, unless otherwise noted.

MECHANICAL DRAWING

units: mm
tolerance: ± 0.5 mm

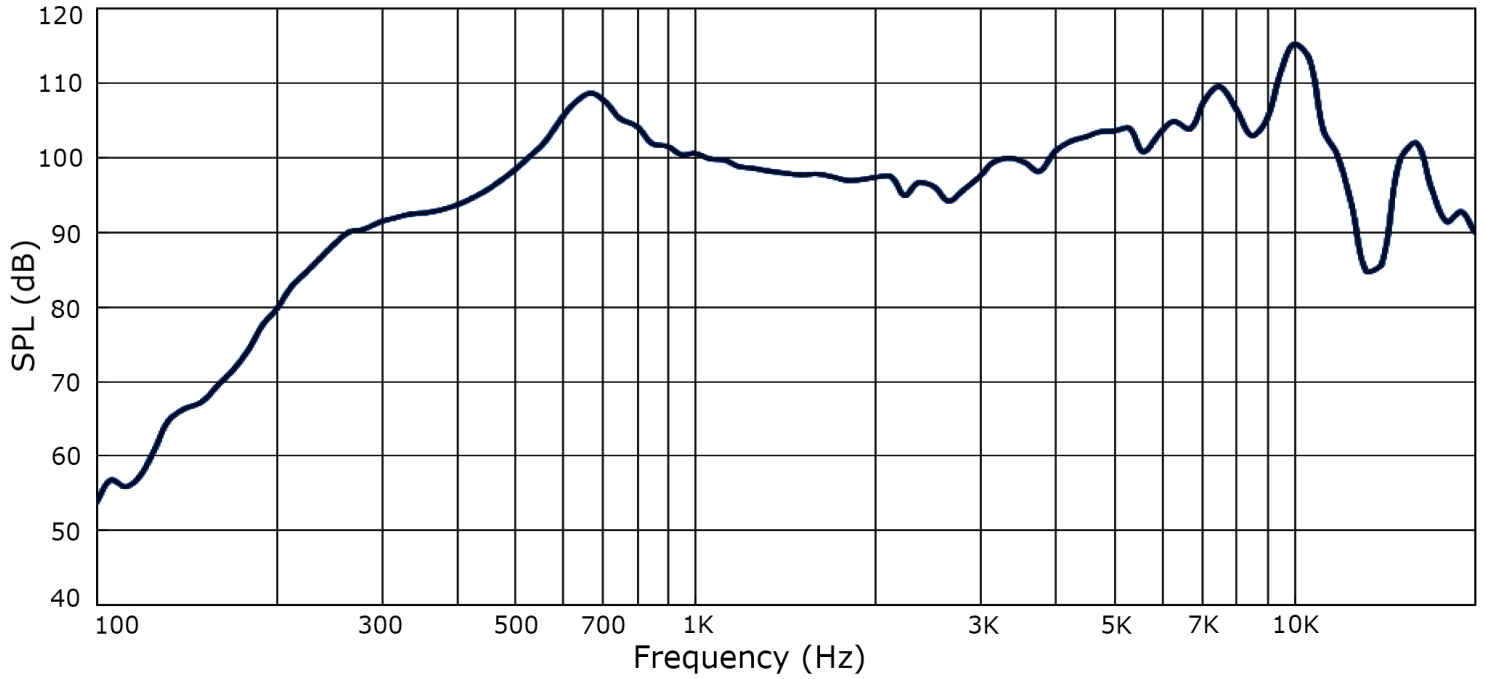
wire: UL1571 28 AWG
connector: JST PHR-2



RESPONSE CURVES

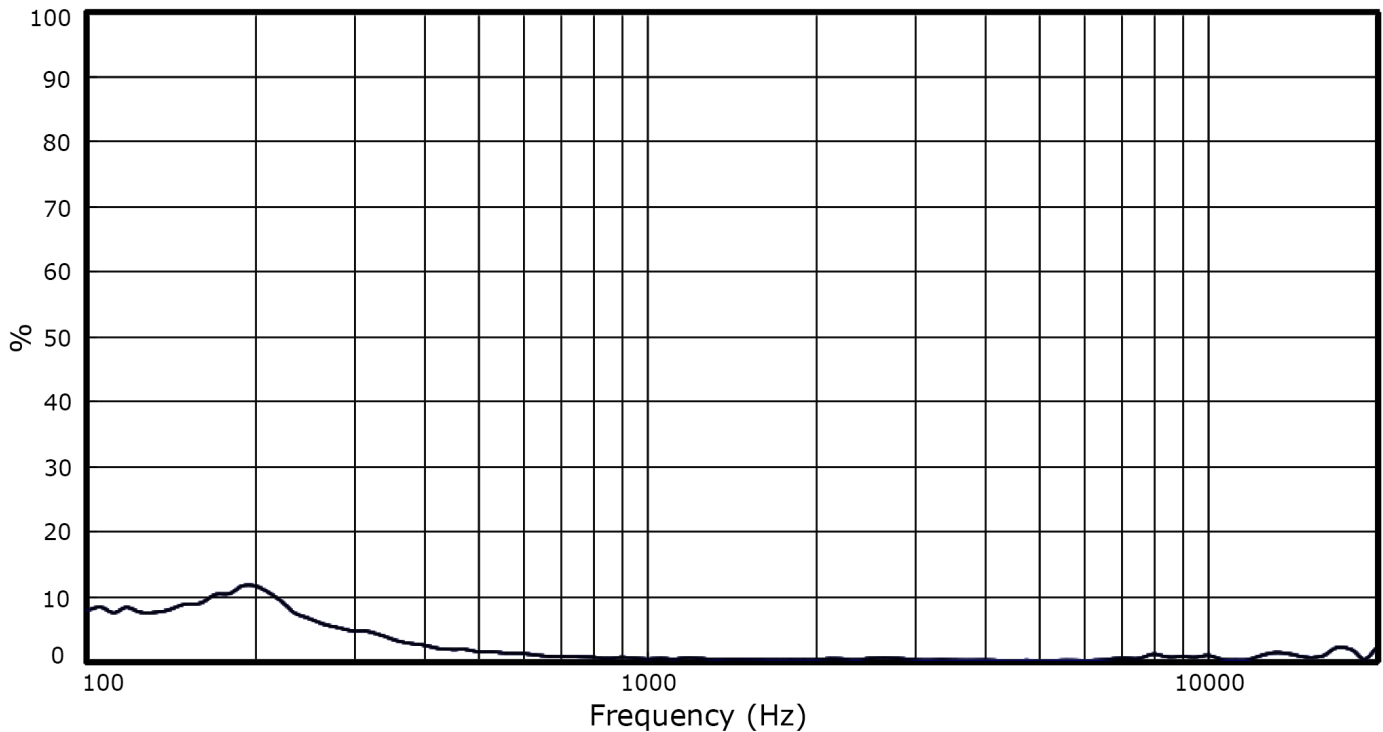
Frequency Response Curve

Test Conditions: 4.00 Vrms / 10 cm



Total Harmonic Distortion Curve

Test Conditions: 1.00 Vrms / 10 cm



PACKAGING

units: mm

Tray QTY: 100 pcs per tray (50 sets per box)
 Carton Size: 520 x 500 x 185 mm
 Carton QTY: 400 pcs per carton

