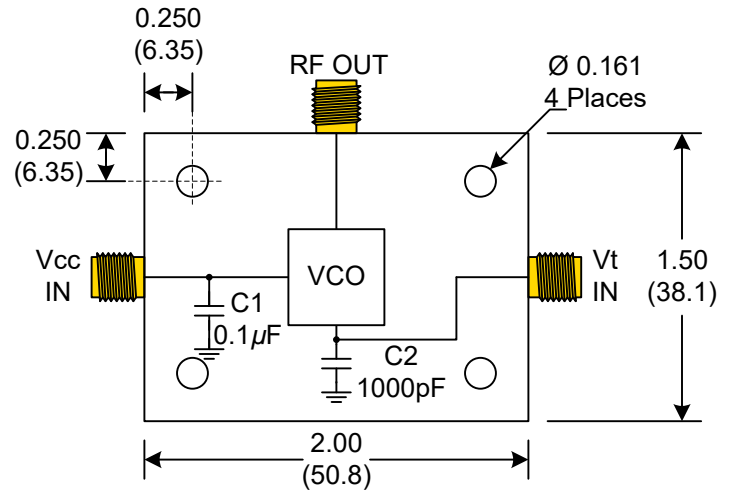


Model CEVAL-055 Shown



### Features:

**Connectors:** Gold Plated SMA Female Connectors

**Frequency Range:** DC to 6 GHz

**PCB:** 0.062" FR4

**Operating Temperature:** -40°C to +85°C

Crystek's VCO Evaluation boards are a turn key solution to easy stand alone testing. Evaluation boards are constructed using rigid 0.062" FR4 PCB material. Solder down connection method ensures that the VCO will receive proper grounding for best testing results. Evaluation boards are available for 0.3" x 0.3" and 0.5" x 0.5" Industry Standard VCO foot prints. Crystek also produces a line of RF Cables that can be purchased separately to make connection to equipment an effortless task.

Part Number	Description
CEVAL-033	0.3"x 0.3" VCO CVCO33 Model
CEVAL-055	0.5"x 0.5" VCO CVCO55 Model

### Product Control:

Crystek Part Number:	CEVAL-033 or CEVAL-055	Release Date:	13-Dec-2017
Revision Level:	D	Responsible:	K. Piotrowicz