

REV. A	SHEET 1 OF 3	DOCUMENT NO. CF-020011-430
REVISIONS M		
LTR	DESCRIPTION	DATE
A	INITIAL RELEASE	02/09/2022

DOCUMENT NO. CF-020011-430

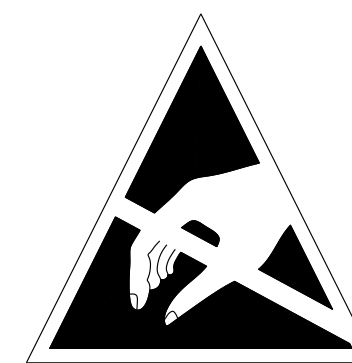
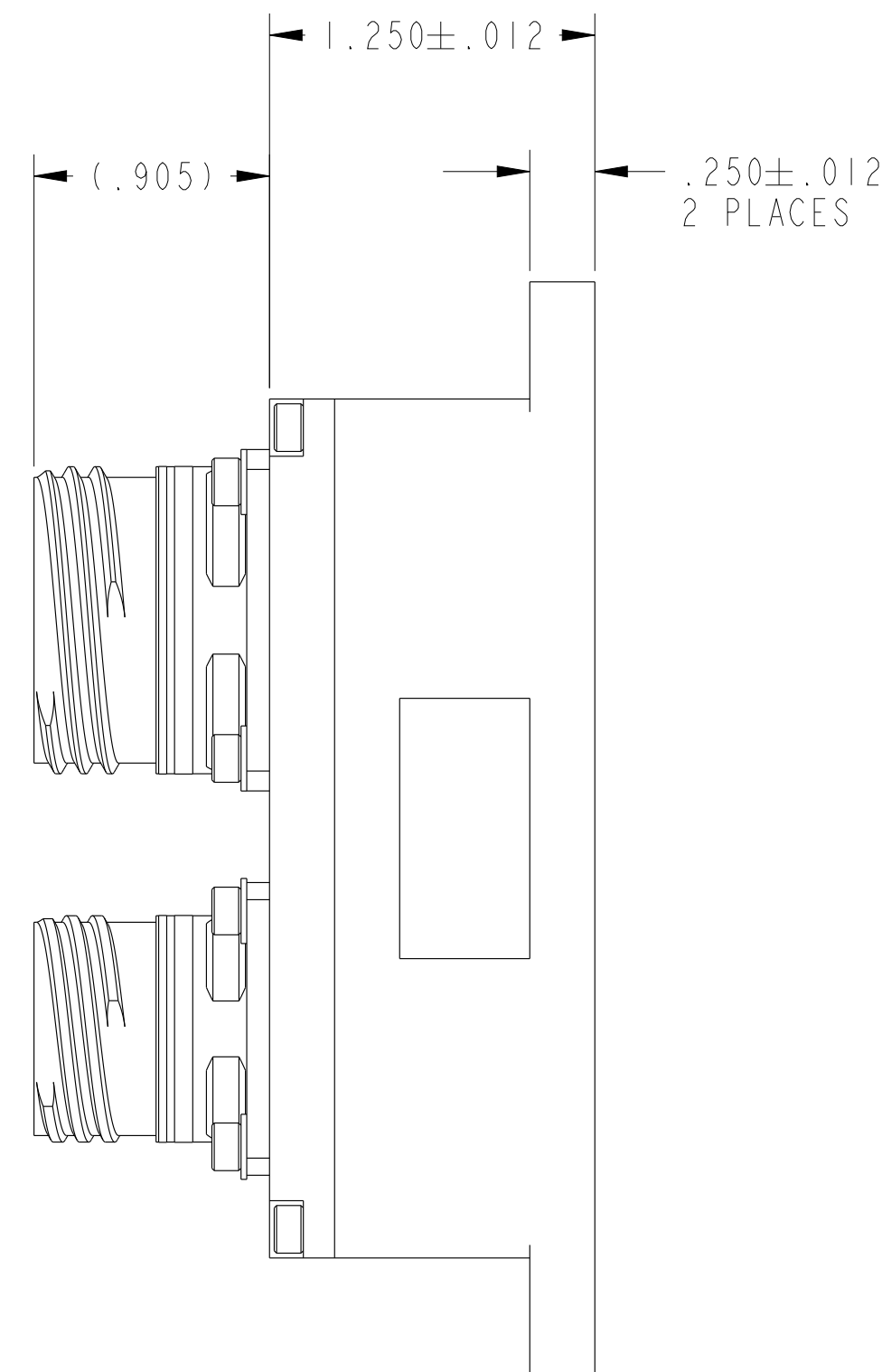
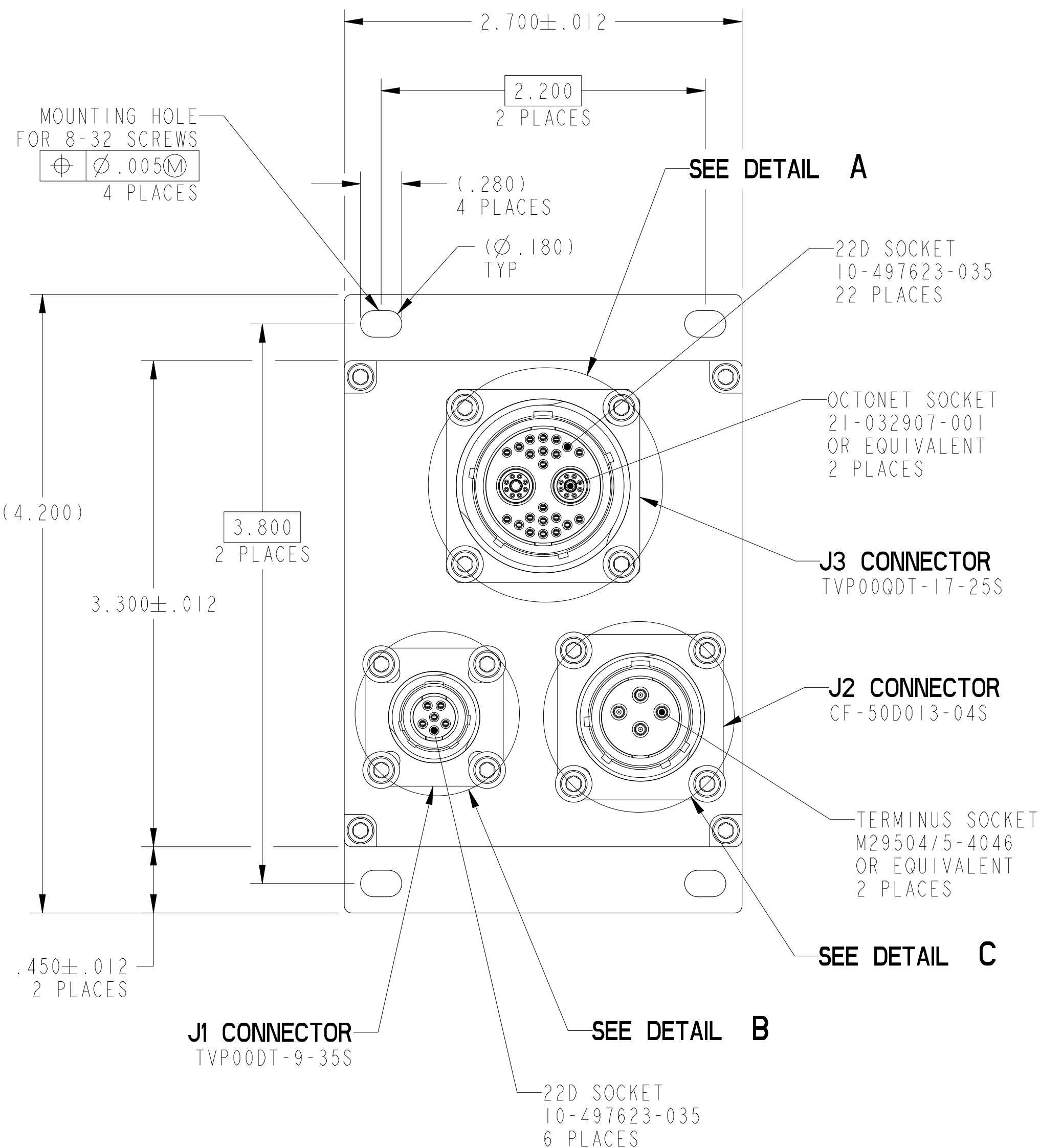
SHEET 1 OF 3

REV. A

C

B

A



**ATTENTION**  
 OBSERVE PRECAUTIONS  
 FOR HANDLING  
 ELECTROSTATIC  
 SENSITIVE  
 DEVICES

SEE SHEET 3

NOTES:

THE USE OF THIS DOCUMENT IS UNLIMITED. HOWEVER, DOCUMENTS REFERENCED HEREON MAY CONTAIN LIMITED RIGHTS DATA.

RELEASED / Feb. 16 2022, 10:20:43 AM

DOCUMENT NO. CF-020011-430

SHEET 1 OF 3

REV. A

NONE

NEXT ASSEMBLY

PRO/ENGINEER INFORMATION

Pro/e Model Used:  
CF-020011-430.ASSEM  
Drawing Name:  
CF-020011-430

UNLESS OTHERWISE SPECIFIED	SPECIFICATIONS	POS	QTY	PART NUMBER	DESCRIPTION	NOTE
LINEAR DIMENSIONS ARE IN INCHES TOLERANCES: .XXXX = ±.0005 ANGLES= ±2° .XXX = ±.010 .XX = ±.03 .X = ±.1 DIM. & TOL. PER ASME Y14.5M; DRM PER MIL-STD-31000; OTHER Amphenol Stds. PER 9-3800 LEGENDS: =FLAG NOTE CALL OUT REFERENCE ONLY	MATERIAL SPEC.	PARTS LIST				
	NONE	APPROVALS		DATE	AMPHENOL CORPORATION 40-60 DELAWARE AVENUE SIDNEY, N.Y. 13858	
	PROCESS SPEC.	PREPARED BY W. LEE	ENGINEER IN CHARGE W. LEE	08-Feb-22	1G/10G ETHERNET MEDIA CONVERTER NI-PTFE PLATED	
	SEE NOTE 5	DESIGN MANAGER J. ROTHROCK	DESIGN ACTIVITY GROUP CI	SIZE C CAGE CODE 77820 DOCUMENT NO. CF-020011-430 REV. A SCALE: 1.5 REF. CF-020011-332 SHEET 1 OF 3		
	THIRD ANGLE PROJECTION					

VERSION 2

REVISION A

Eng PDM Information For Reference Only

REV. A

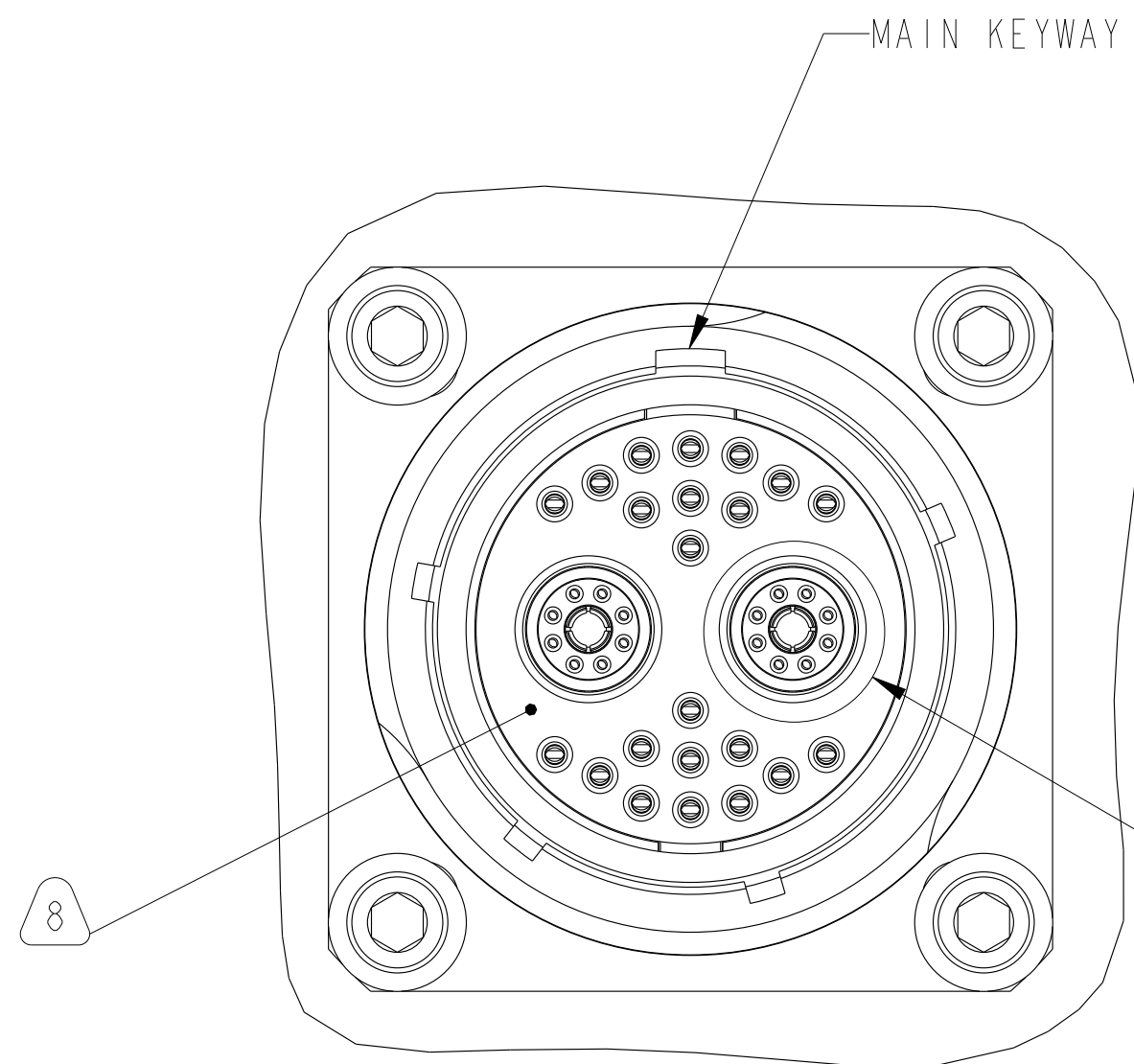
SHEET 1 OF 3

DOCUMENT NO. CF-020011-430

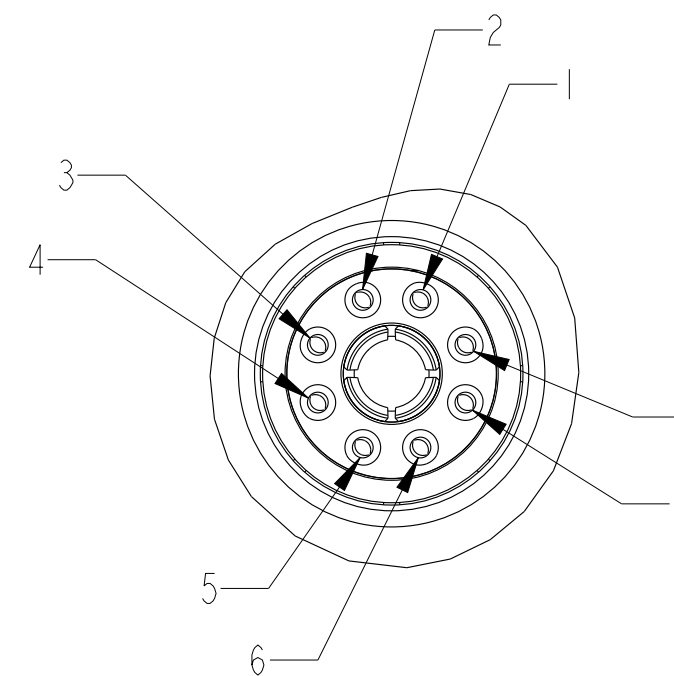
CF-020011-430

SHEET 2 OF 3

REV. A

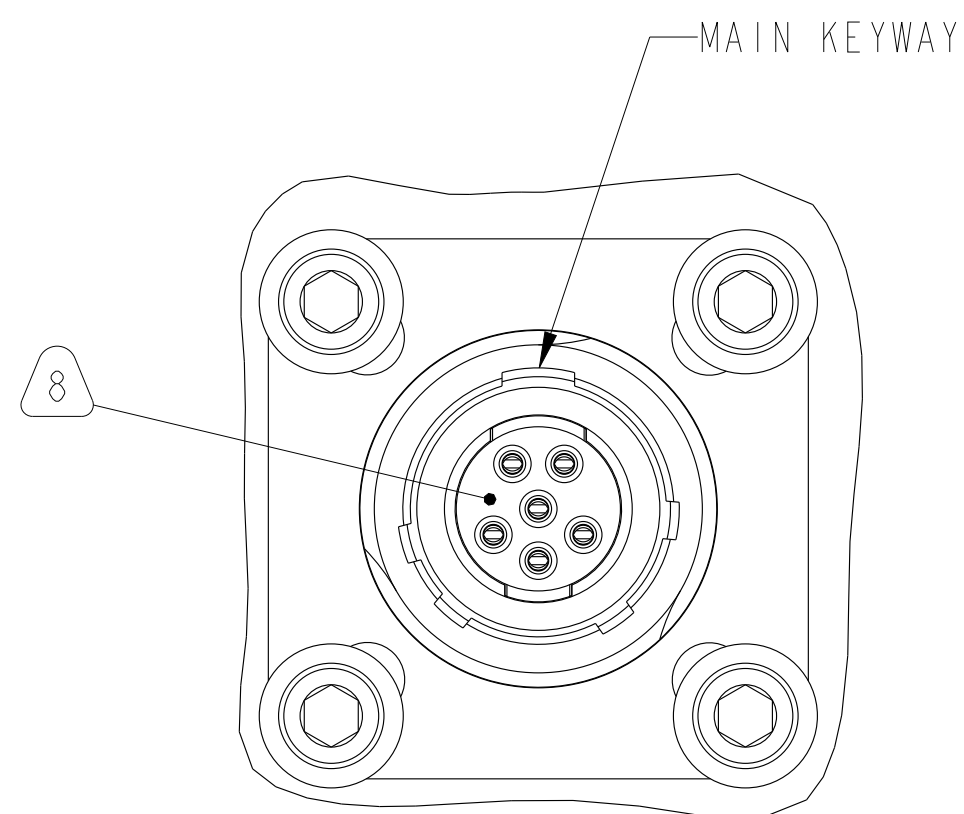


DETAIL A  
J3 CONNECTOR  
SCALE 3.000

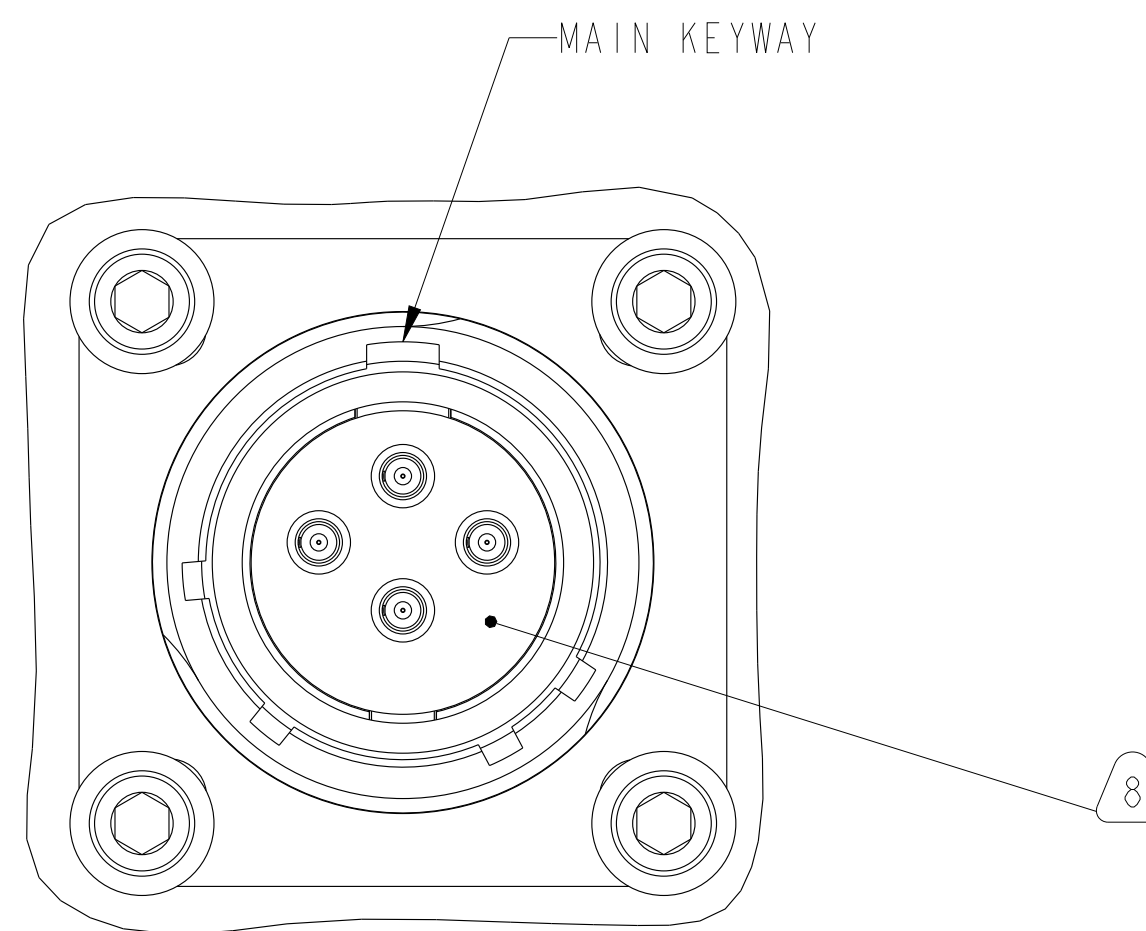


DETAIL D  
OCTONET  
SCALE 6.000

SEE DETAIL D



DETAIL B  
J1 CONNECTOR  
SCALE 3.000



DETAIL C  
J2 CONNECTOR  
SCALE 3.000

SEE SHEET 3

NOTES:

THE USE OF THIS DOCUMENT IS UNLIMITED. HOWEVER, DOCUMENTS REFERENCED HEREON MAY CONTAIN LIMITED RIGHTS DATA.

RELEASED / Feb. 16 2022, 10:20:43 AM

CF-020011-430

SHEET 2 OF 3

REV. A

SIZE <b>C</b>	CAGE CODE <b>77820</b>	DOCUMENT NO. <b>CF-020011-430</b>	REV. <b>A</b>
SCALE: 1.5		REF: CF-020011-332	SHEET 2 OF 3

Eng. PDM Information For Reference Only

SHEET 2 OF 3

CF-020011-430

REV. A