

REV. B	SHEET 1 OF 5	DOCUMENT NO. CF-020400-062
REVISIONS M		
LTR A	DESCRIPTION INITIAL RELEASE	DATE 11/16/21
LTR B	DESCRIPTION (CL 11) SEE ECN D4711	DATE 03/10/2022

CF-020400-062

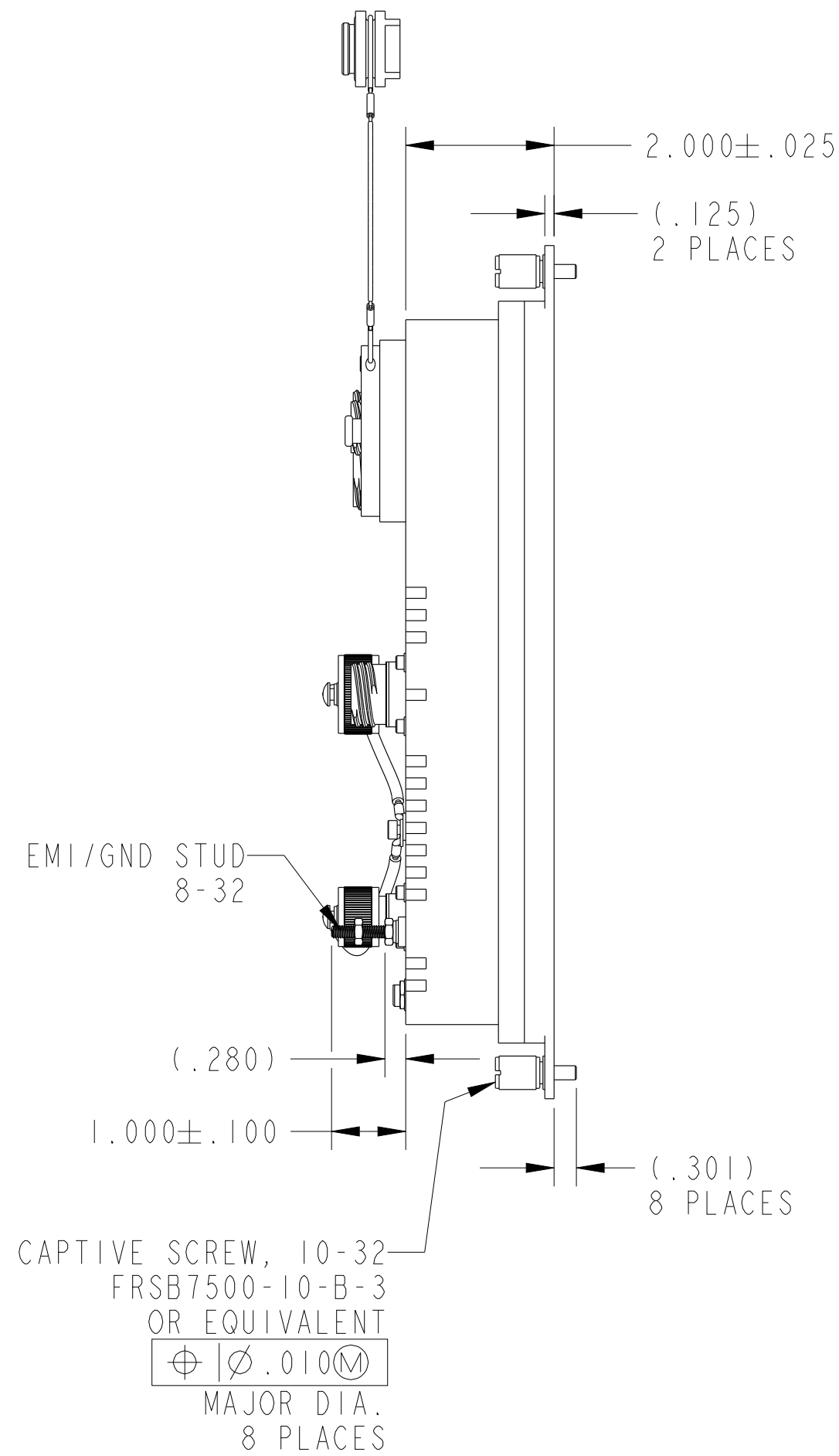
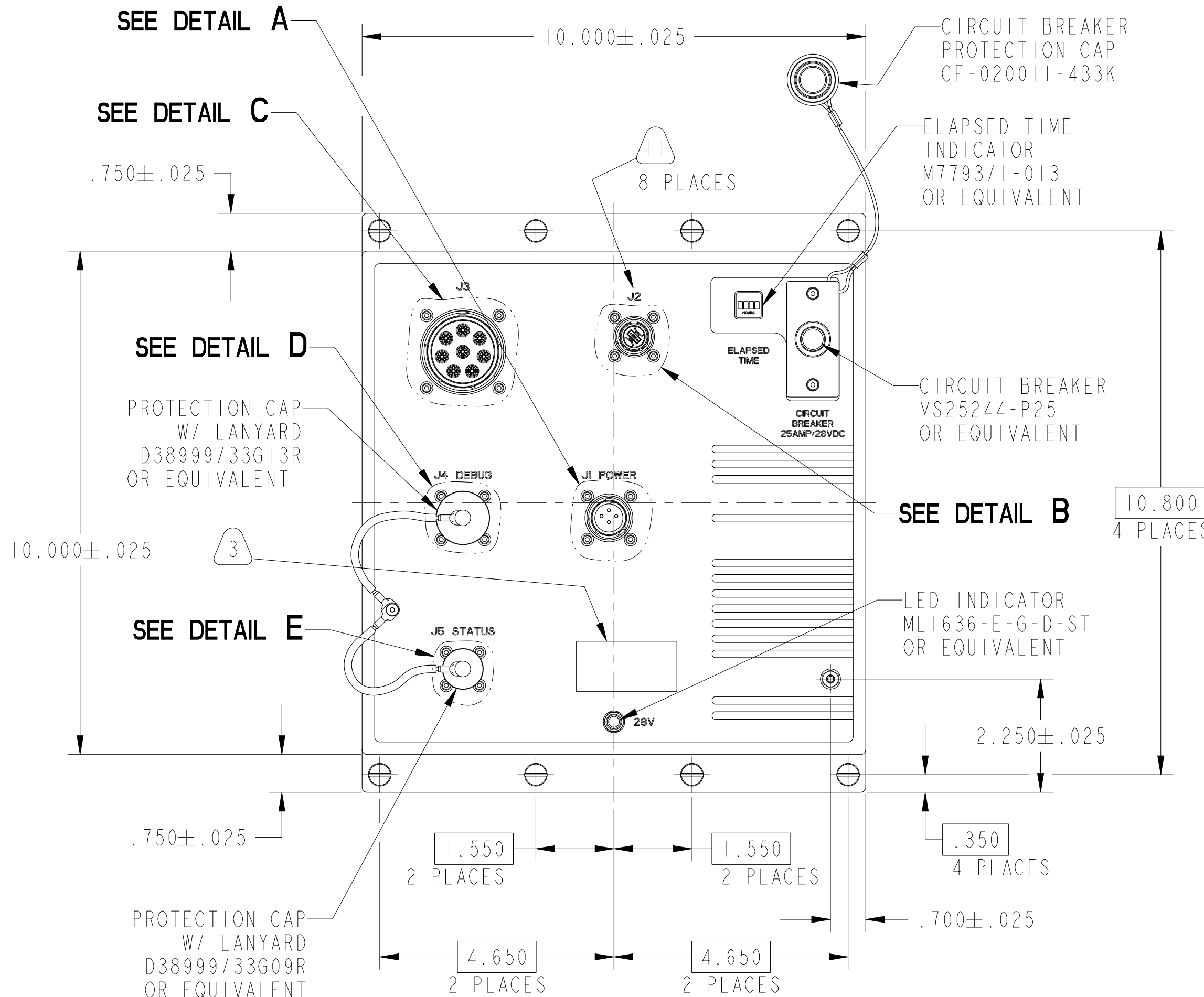
SHEET 1 OF 5

REV. B

C

B

A



ATTENTION
OBSERVE PRECAUTIONS FOR HANDLING ELECTROSTATIC SENSITIVE DEVICES

SEE SHEET 5

NOTES:

THE USE OF THIS DOCUMENT IS UNLIMITED. HOWEVER, DOCUMENTS REFERENCED HEREON MAY CONTAIN LIMITED RIGHTS DATA.

NONE NEXT ASSEMBLY

PRO/ENGINEER INFORMATION
Pro/e Model Used:
CF-020400-062.ASSEM
Drawing Name:
CF-020400-062

UNLESS OTHERWISE SPECIFIED	SPECIFICATIONS	POS	QTY	PART NUMBER	DESCRIPTION	NOTE
LINEAR DIMENSIONS ARE IN INCHES TOLERANCES: .XXXX = ±.0005 ANGLES= ±2° .XXX = ±.010 .XX = ±.03 .X = ±.1 DIM. & TOL. PER ASME Y14.5M; DRM PER MIL-STD-31000; OTHER Amphenol Stds. PER 9-3800 LEGENDS: =FLAG NOTE CALL OUT REFERENCE ONLY	MATERIAL SPEC.	PARTS LIST				
	NONE	AMPHENOL CORPORATION 40-60 DELAWARE AVENUE SIDNEY, N.Y. 13658 ETHERNET SWITCH BOX 8 CH COPPER / 24 CH FIBER				
PROCESS SPEC.	SEE NOTE 6	APPROVALS		DATE	SIZE C CAGE CODE 77820 DOCUMENT NO. CF-020400-062 REV. B SCALE: 0.5 REF. CF-020011-433 SHEET 1 OF 5	
		THIRD ANGLE PROJECTION				

FORMAT: C-0-E-1

DOCUMENT NO. CF-020400-062

SHEET 1 OF 5

REV. B

CF-020400-062

SHEET 1 OF 5

REV. B

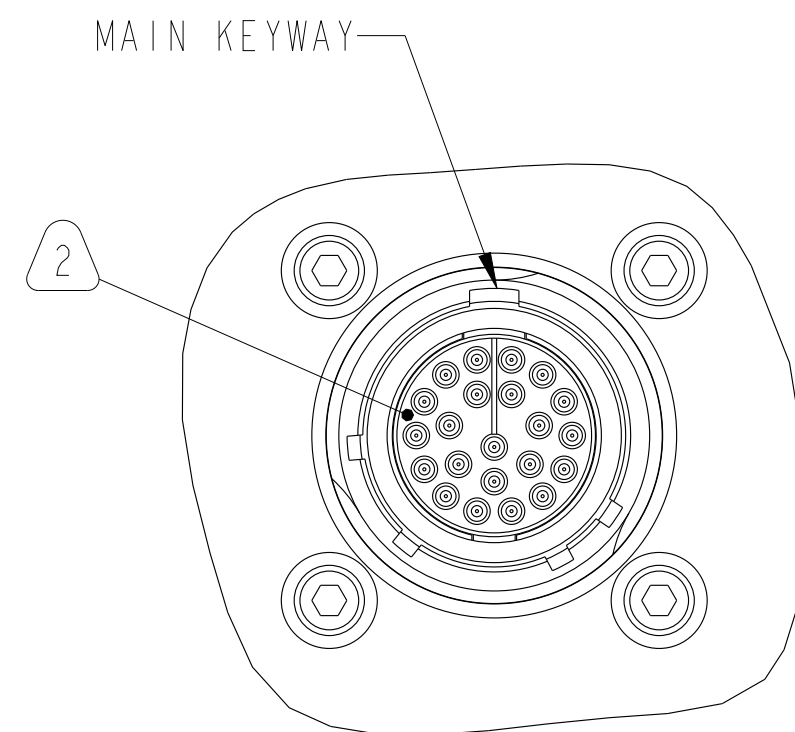
Eng. PDM Information For Reference Only

REVISION B

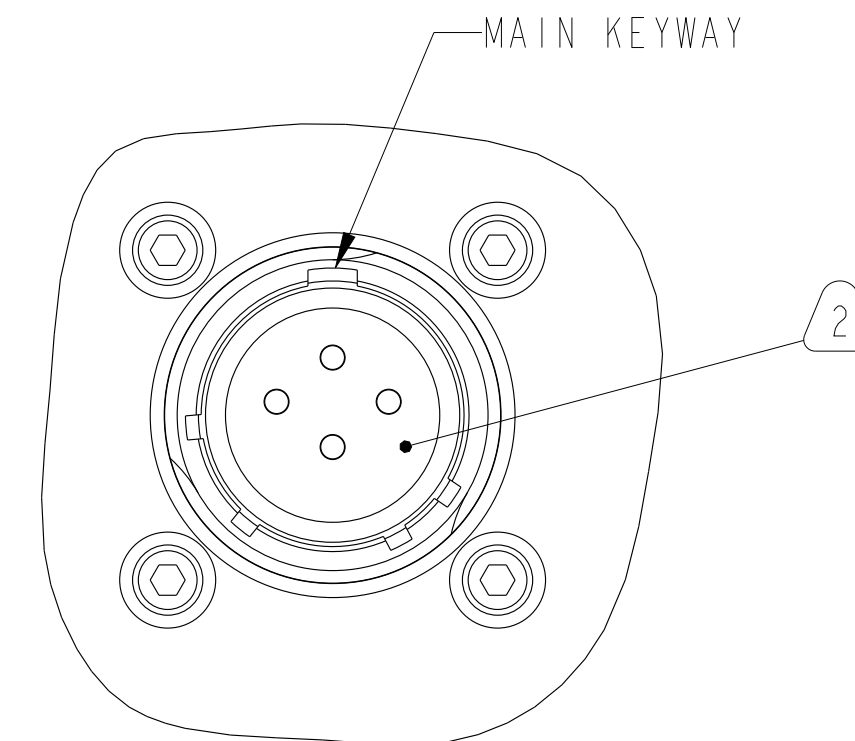
VERSION 0

I/O CHART

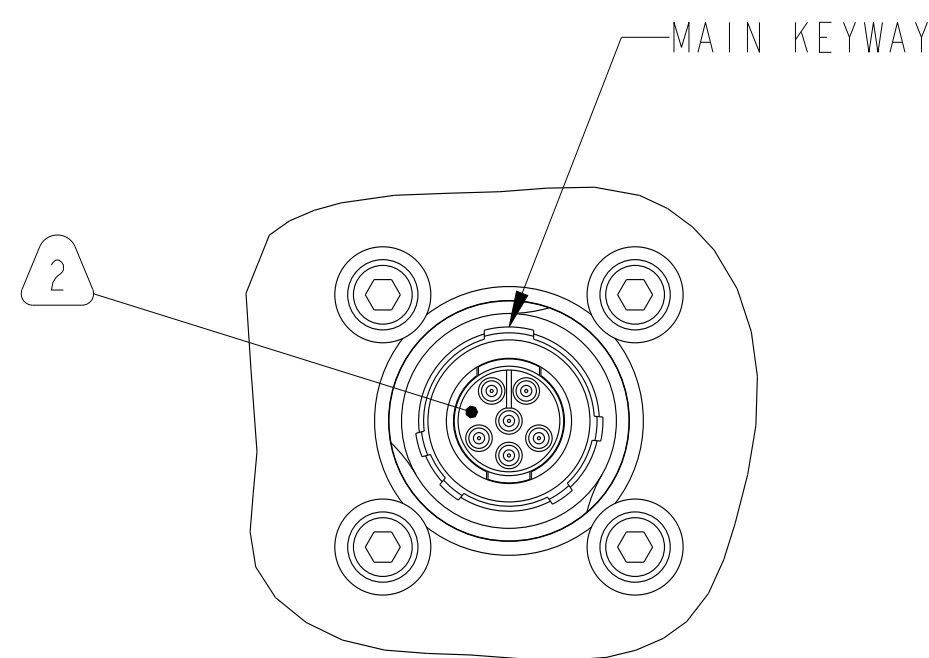
CONNECTOR DESCRIPTION	PIN NO.	DATA DIRECTION	SIGNAL NAME
J1 (POWER) 13-4P KEYING "N"	A	IN	28VDC_IN
	B	OUT	28VDC_RTN
	C	--	SAFETY GROUND / CHASSIS
	D	--	NOT CONNECTED
	SHELL	--	CHASSIS
J4 (DEBUG) 13-35P KEYING "N"	1	OUT	RS232_CONSOLE_TX
	2	IN	RS232_CONSOLE_RX
	3	--	RS232_CONSOLE_GND
	4	IN	DEBUG_JTAG_TCLK
	5	OUT	DEBUG_JTAG_TDO
	6	IN	DEBUG_JTAG_TDI
	7	IN	DEBUG_JTAG_TTMS
	8	IN	DEBUG_I2C_SCL
	9	BI	DEBUG_I2C_SDA
	10	--	NOT CONNECTED
	11	--	NOT CONNECTED
	12	BI	DEBUG_CPU_USB_D+
	13	BI	DEBUG_CPU_USB_D-
	14	BI	DEBUG_CPU_1GBASET_DA+
	15		DEBUG_CPU_1GBASET_DA-
	16		DEBUG_CPU_1GBASET_DB+
	17		DEBUG_CPU_1GBASET_DB-
	18		DEBUG_CPU_1GBASET_DC+
	19		DEBUG_CPU_1GBASET_DC-
	20		DEBUG_CPU_1GBASET_DD+
	21		DEBUG_CPU_1GBASET_DD-
	22	--	NOT CONNECTED
SHELL	--	CHASSIS	
J5 (STATUS/RESET) 9-35P KEYING "N"	1	IN	SWITCHBOX_RESET
	2	OUT	POWERSUPPLY_STATUS
	3	OUT	CHASSIS_STATUS
	4	OUT	TEMPERATURE_WARNING_STATUS
	5	--	RESET_RTN
	6	--	NOT CONNECTED
	SHELL	--	CHASSIS



DETAIL D
J4
CAP NOT SHOWN FOR CLARITY
SCALE 2.000



DETAIL A
J1
SCALE 2.000



DETAIL E
J5
CAP NOT SHOWN FOR CLARITY
SCALE 2.000

SEE SHEET 5

NOTES:

THE USE OF THIS DOCUMENT IS UNLIMITED. HOWEVER, DOCUMENTS REFERENCED HEREON MAY CONTAIN LIMITED RIGHTS DATA.

SIZE C	CAGE CODE 77820	DOCUMENT NO. CF-020400-062	REV. B
SCALE: 0.5		REF: CF-020011-433	SHEET 2 OF 5

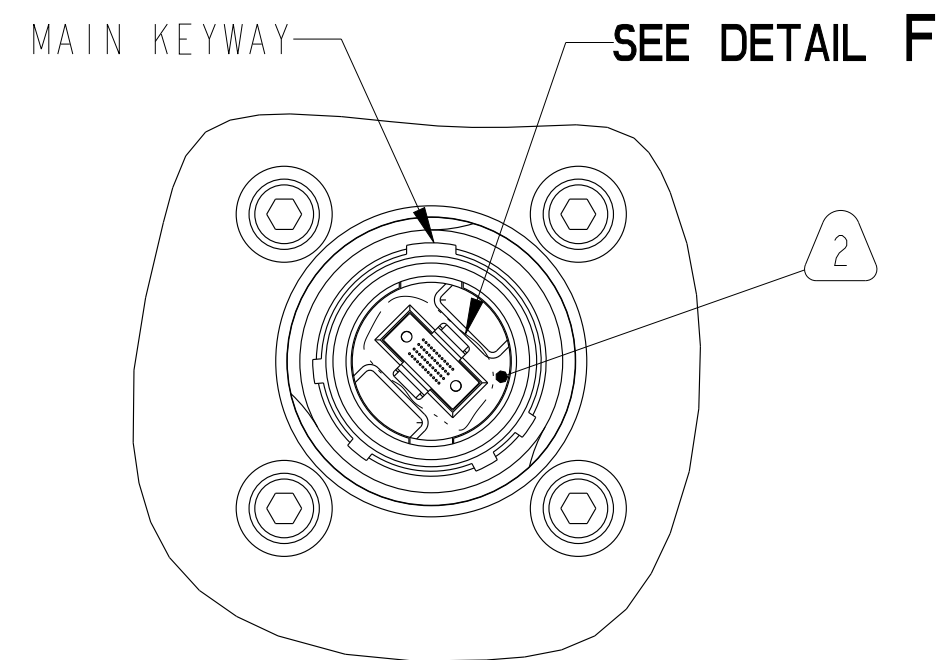
DOCUMENT NO. **CF-020400-062** SHEET 2 OF 5 REV. **B**
 Eng. PDM Information For Reference Only
 REVISION **B** VERSION **0**

I/O CHART (CONTINUED)

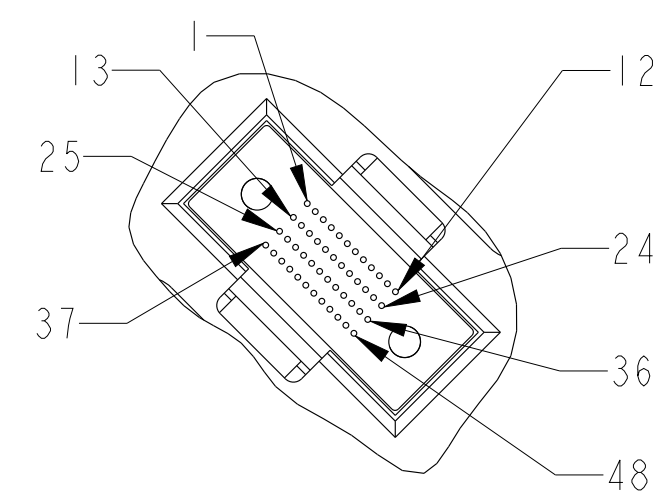
CONNECTOR DESCRIPTION	PIN NO.	DATA DIRECTION	SIGNAL NAME
J2 11-1S 48F MT KEYING "N"	1	IN	PORT12_10GBASESR_RX
	2		PORT11_10GBASESR_RX
	3		PORT10_10GBASESR_RX
	4		PORT9_10GBASESR_RX
	5		PORT8_10GBASESR_RX
	6		PORT7_10GBASESR_RX
	7		PORT6_10GBASESR_RX
	8		PORT5_10GBASESR_RX
	9		PORT4_10GBASESR_RX
	10		PORT3_10GBASESR_RX
	11		PORT2_10GBASESR_RX
	12		PORT1_10GBASESR_RX
	13	OUT	PORT12_10GBASESR_TX
	14		PORT11_10GBASESR_TX
	15		PORT10_10GBASESR_TX
	16		PORT9_10GBASESR_TX
	17		PORT8_10GBASESR_TX
	18		PORT7_10GBASESR_TX
	19		PORT6_10GBASESR_TX
	20		PORT5_10GBASESR_TX
	21		PORT4_10GBASESR_TX
	22		PORT3_10GBASESR_TX
	23		PORT2_10GBASESR_TX
	24		PORT1_10GBASESR_TX

I/O CHART (CONTINUED)

CONNECTOR DESCRIPTION	PIN NO.	DATA DIRECTION	SIGNAL NAME
J2 11-1S 48F MT KEYING "N"	25	IN	PORT24_10GBASESR_RX
	26		PORT23_10GBASESR_RX
	27		PORT22_10GBASESR_RX
	28		PORT21_10GBASESR_RX
	29		PORT20_10GBASESR_RX
	30		PORT19_10GBASESR_RX
	31		PORT18_10GBASESR_RX
	32		PORT17_10GBASESR_RX
	33		PORT16_10GBASESR_RX
	34		PORT15_10GBASESR_RX
	35		PORT14_10GBASESR_RX
	36		PORT13_10GBASESR_RX
	37	OUT	PORT24_10GBASESR_TX
	38		PORT23_10GBASESR_TX
	39		PORT22_10GBASESR_TX
	40		PORT21_10GBASESR_TX
	41		PORT20_10GBASESR_TX
	42		PORT19_10GBASESR_TX
	43		PORT18_10GBASESR_TX
	44		PORT17_10GBASESR_TX
	45		PORT16_10GBASESR_TX
	46		PORT15_10GBASESR_TX
	47		PORT14_10GBASESR_TX
	48		PORT13_10GBASESR_TX
	SHELL	--	CHASSIS



DETAIL B
J2
SCALE 2.000



DETAIL F
48F MT
SCALE 6.000

SEE SHEET 5

NOTES:

THE USE OF THIS DOCUMENT IS UNLIMITED. HOWEVER, DOCUMENTS REFERENCED HEREON MAY CONTAIN LIMITED RIGHTS DATA.

SIZE C	CAGE CODE 77820	DOCUMENT NO. CF-020400-062	REV. B
SCALE: 0.5		REF: CF-020011-433	SHEET 3 OF 5

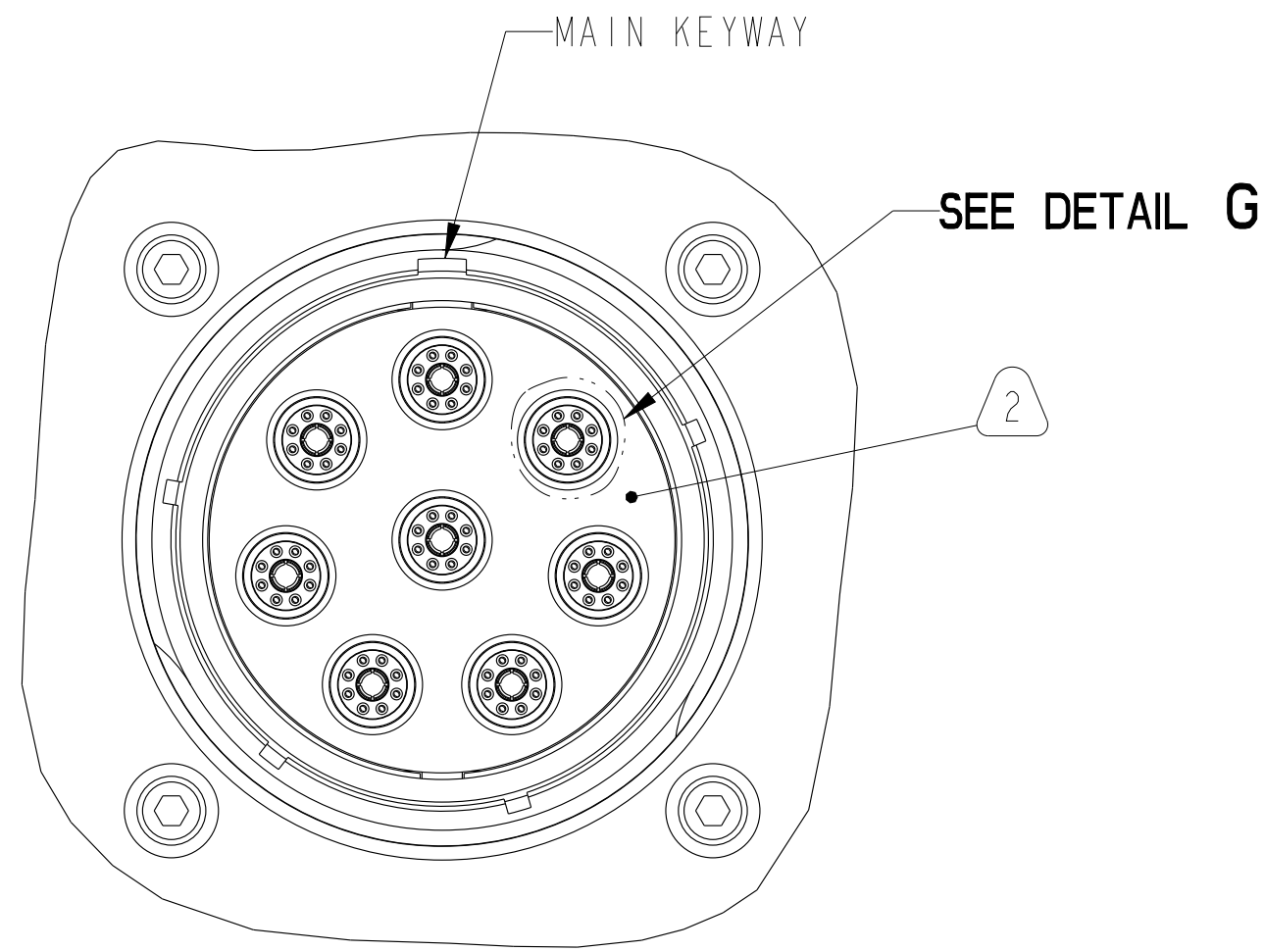
DOCUMENT NO. CF-020400-062 SHEET 3 OF 5 REV. B

I/O CHART (CONTINUED)

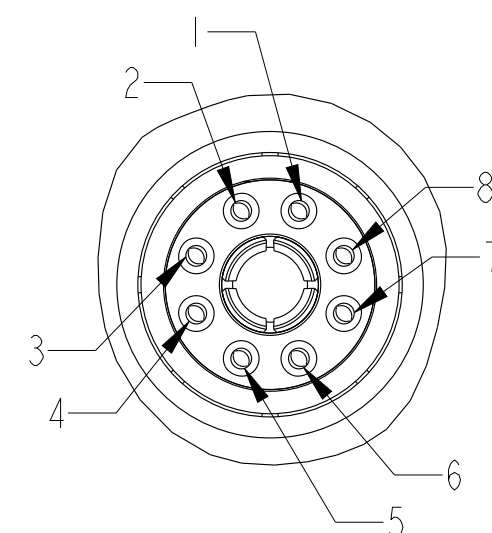
CONNECTOR DESCRIPTION	PIN NO.	DATA DIRECTION	SIGNAL NAME
J3 25-8S KEYING "N"	A-1	BI	PORT25_10GBASET_DA+
	A-2		PORT25_10GBASET_DA-
	A-3		PORT25_10GBASET_DB+
	A-4		PORT25_10GBASET_DB-
	A-5		PORT25_10GBASET_DC+
	A-6		PORT25_10GBASET_DC-
	A-7		PORT25_10GBASET_DD+
	A-8		PORT25_10GBASET_DD-
	B-1		PORT26_10GBASET_DA+
	B-2		PORT26_10GBASET_DA-
	B-3		PORT26_10GBASET_DB+
	B-4		PORT26_10GBASET_DB-
	B-5		PORT26_10GBASET_DC+
	B-6		PORT26_10GBASET_DC-
	B-7		PORT26_10GBASET_DD+
	B-8		PORT26_10GBASET_DD-
	C-1		PORT27_10GBASET_DA+
	C-2		PORT27_10GBASET_DA-
	C-3		PORT27_10GBASET_DB+
	C-4		PORT27_10GBASET_DB-
	C-5		PORT27_10GBASET_DC+
	C-6		PORT27_10GBASET_DC-
	C-7		PORT27_10GBASET_DD+
	C-8		PORT27_10GBASET_DD-
	D-1		PORT28_10GBASET_DA+
	D-2		PORT28_10GBASET_DA-
	D-3		PORT28_10GBASET_DB+
	D-4		PORT28_10GBASET_DB-
D-5	PORT28_10GBASET_DC+		
D-6	PORT28_10GBASET_DC-		
D-7	PORT28_10GBASET_DD+		
D-8	PORT28_10GBASET_DD-		

I/O CHART (END)

CONNECTOR DESCRIPTION	PIN NO.	DATA DIRECTION	SIGNAL NAME
J3 25-8S KEYING "N"	E-1	BI	PORT29_10GBASET_DA+
	E-2		PORT29_10GBASET_DA-
	E-3		PORT29_10GBASET_DB+
	E-4		PORT29_10GBASET_DB-
	E-5		PORT29_10GBASET_DC+
	E-6		PORT29_10GBASET_DC-
	E-7		PORT29_10GBASET_DD+
	E-8		PORT29_10GBASET_DD-
	F-1		PORT30_10GBASET_DA+
	F-2		PORT30_10GBASET_DA-
	F-3		PORT30_10GBASET_DB+
	F-4		PORT30_10GBASET_DB-
	F-5		PORT30_10GBASET_DC+
	F-6		PORT30_10GBASET_DC-
	F-7		PORT30_10GBASET_DD+
	F-8		PORT30_10GBASET_DD-
	G-1		PORT31_10GBASET_DA+
	G-2		PORT31_10GBASET_DA-
	G-3		PORT31_10GBASET_DB+
	G-4		PORT31_10GBASET_DB-
	G-5		PORT31_10GBASET_DC+
	G-6		PORT31_10GBASET_DC-
	G-7		PORT31_10GBASET_DD+
	G-8		PORT31_10GBASET_DD-
	H-1		PORT32_10GBASET_DA+
	H-2		PORT32_10GBASET_DA-
	H-3		PORT32_10GBASET_DB+
	H-4		PORT32_10GBASET_DB-
H-5	PORT32_10GBASET_DC+		
H-6	PORT32_10GBASET_DC-		
H-7	PORT32_10GBASET_DD+		
H-8	PORT32_10GBASET_DD-		
A OUTER		--	CHASSIS
B OUTER			
C OUTER			
D OUTER			
E OUTER			
F OUTER			
G OUTER			
H OUTER			
SHELL			



DETAIL C
J3
SCALE 2.000



DETAIL G
OCTONET
SCALE 6.000

SEE SHEET 5

NOTES:

THE USE OF THIS DOCUMENT IS UNLIMITED.
HOWEVER, DOCUMENTS REFERENCED HEREON
MAY CONTAIN LIMITED RIGHTS DATA.

SIZE C	CAGE CODE 77820	DOCUMENT NO. CF-020400-062	REV. B
SCALE: 0.5	REF: CF-020011-433	SHEET 4 OF 5	

DOCUMENT NO. CF-020400-062
 SHEET 4 OF 5
 REV. B
 Eng. PDM Information For Reference Only
 REVISION B
 VERSION 0