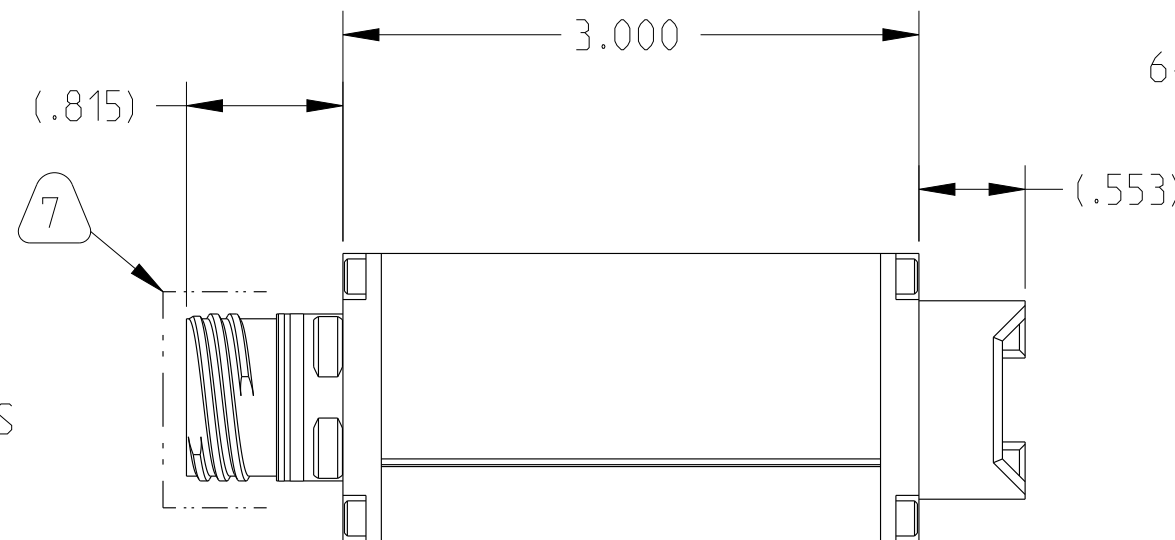
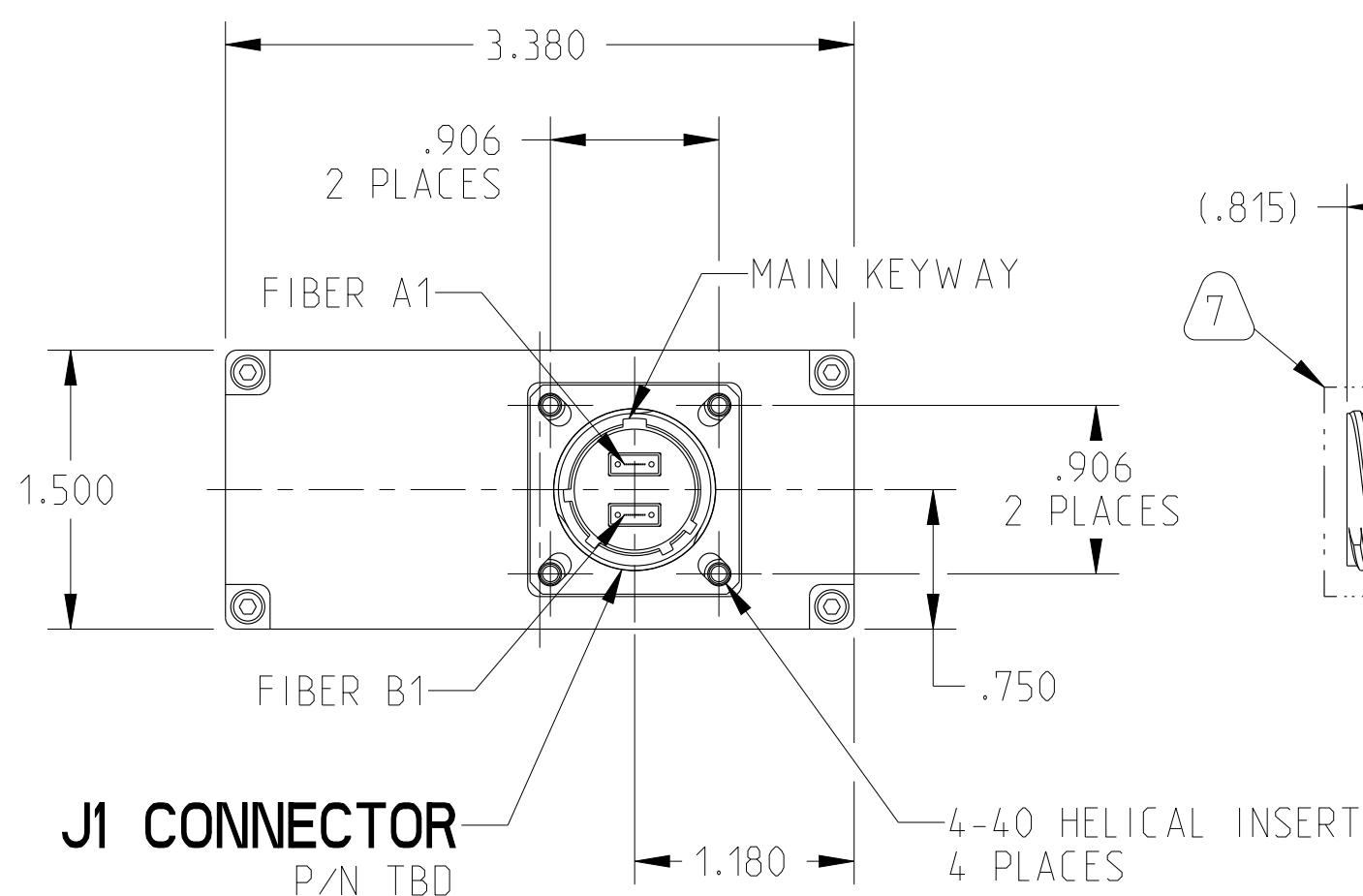
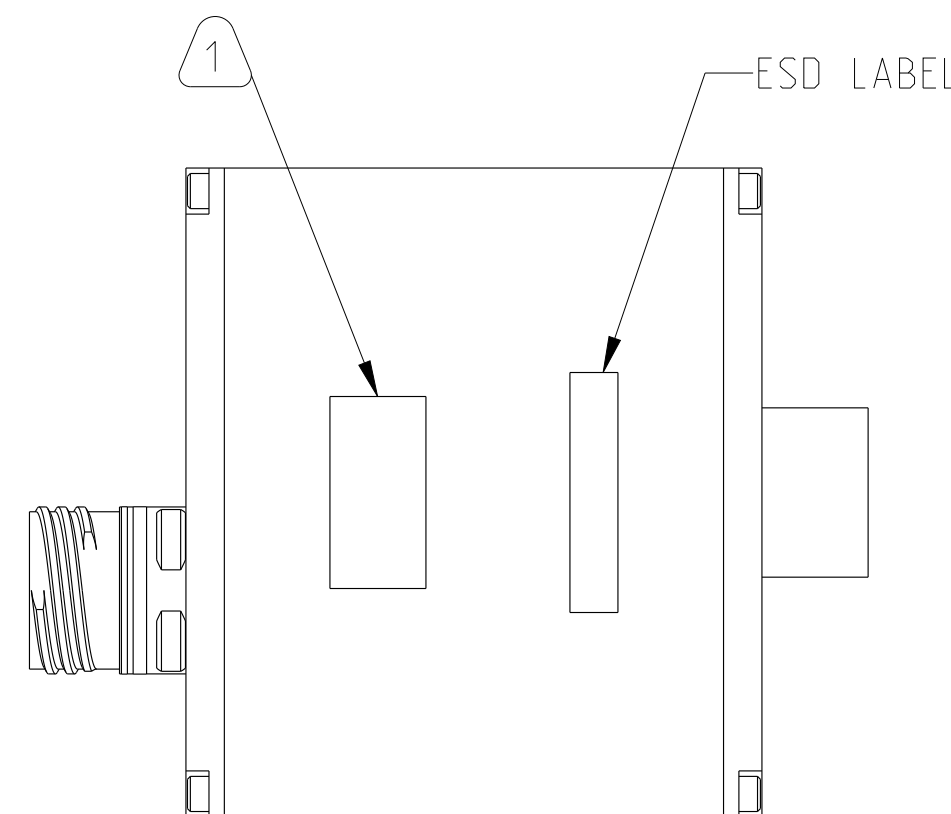
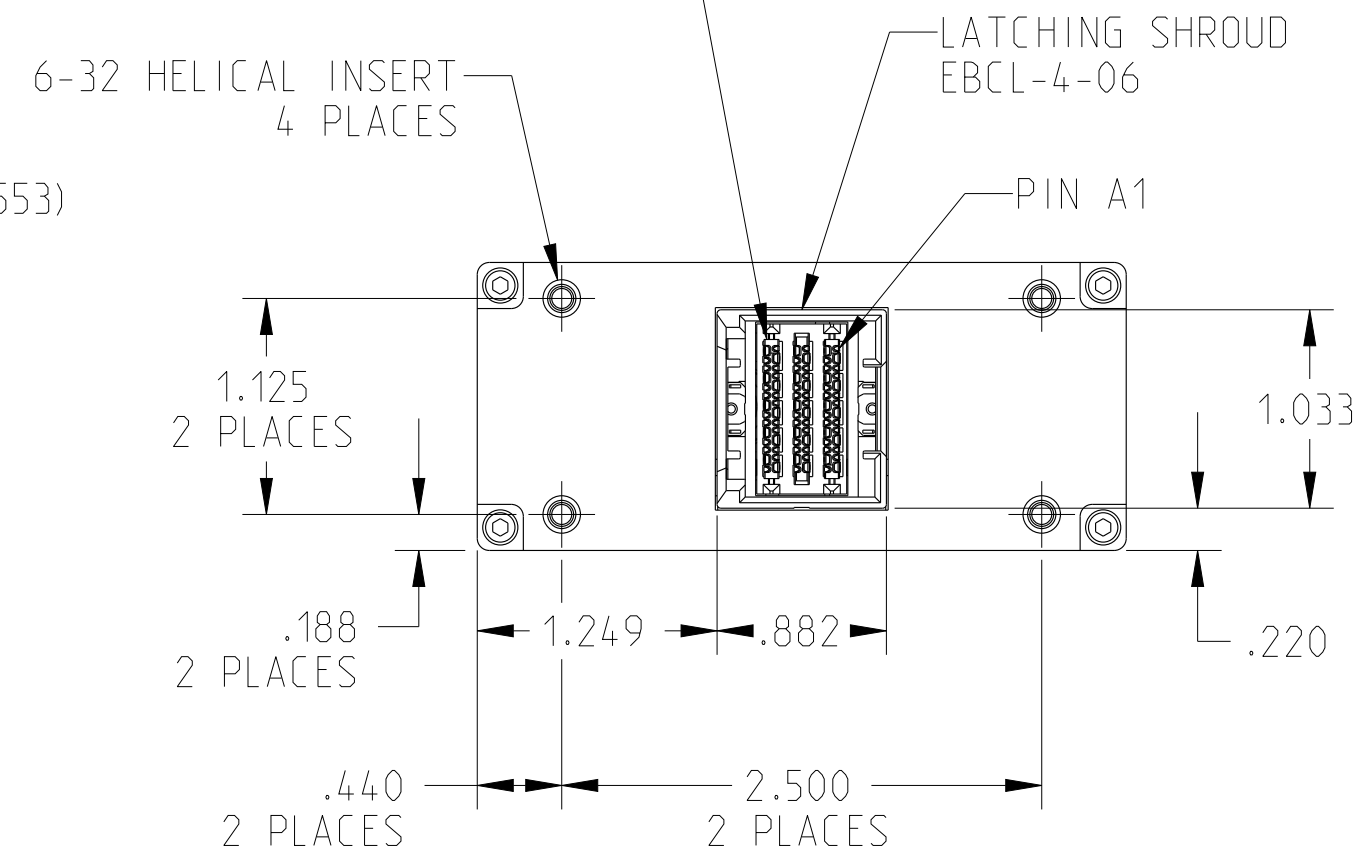


REV. X-3	SHEET 1 OF 2	DOCUMENT NO. CF-020400-62X
REVISIONS <b>M</b>		
LTR	DESCRIPTION	DATE
X-0	PRELIMINARY DESIGN	04/04/2023
X-1	ADDED EXAMAX RCPT UPDATED I/O CHART	05/03/2023
X-2	UPDATED I/O CHART, CHANGED PHY1 AND PHY2 TO DEBUG	05/10/2023
X-3	UPDATED I/O CHART	06/06/2023

**PRELIMINARY  
DRAWING  
REVISION: X-3**



**J2 CONNECTOR**  
EXAMAX HEADER  
4 DIFF PAIR  
6 COLUMN



**PRELIMINARY  
DRAWING  
REVISION: X-3**



**ATTENTION**  
OBSERVE PRECAUTIONS  
FOR HANDLING  
ELECTROSTATIC  
SENSITIVE  
DEVICES

SEE SHEET 2

**NOTES:**

THE USE OF THIS DOCUMENT IS UNLIMITED.  
HOWEVER, DOCUMENTS REFERENCED HEREON  
MAY CONTAIN LIMITED RIGHTS DATA.

NONE  
NEXT ASSEMBLY

CREO INFORMATION  
CREO Model Used:  
CF-020400-62X.ASSEM  
Drawing Name:  
CF-020400-62X

UNLESS OTHERWISE SPECIFIED		SPECIFICATIONS	POS	QTY	PART NUMBER	DESCRIPTION	NOTE
LINEAR DIMENSIONS ARE IN INCHES TOLERANCES: .XXXX = ±.0005 ANGLES= ±2° .XXX = ±.010 .XX = ±.03 .X = ±.1		MATERIAL SPEC. NONE	APPROVALS		DATE	PARTS LIST	
DIM. & TOL. PER ASME Y14.5M; DRM PER MIL-STD-31000; OTHER Amphenol Stds. PER 9-3800		PROCESS SPEC. 9-9172-3	PREPARED BY W. LEE	ENGINEER IN CHARGE W. LEE	01-May-23	<b>AMPHENOL CORPORATION</b> 40-60 DELAWARE AVENUE SIDNEY, N.Y. 13858  <b>MEDIA CONVERTER</b> <b>100GBase-SR4 FIBER / 100GBase-KR4 COPPER</b> <b>2 CHANNEL</b>	
LEGENDS: = FLAG NOTE CALL OUT REFERENCE ONLY		THIRD ANGLE PROJECTION	DESIGN MANAGER J. ROTHROCK	DESIGN ACTIVITY GROUP CI		SIZE <b>C</b>	CAGE CODE <b>77820</b>
						DOCUMENT NO. <b>CF-020400-62X</b>	REV. <b>X-3</b>
						SCALE: 1.0	REF. CF-020401-6XX
							SHEET 1 OF 2

DOCUMENT NO. CF-020400-62X  
SHEET 1 OF 2  
REV. X-3

REVISION 3  
Eng. PDM Information For Reference Only  
SHEET 1 OF 2  
REV. X-3  
DOCUMENT NO. CF-020400-62X

### J1 I/O CHART 9

ID	SIGNAL	ID	SIGNAL
A1	100G-SR4_CH1_TX1	B1	100G-SR4_CH2_TX1
A2	100G-SR4_CH1_TX2	B2	100G-SR4_CH2_TX2
A3	100G-SR4_CH1_TX3	B3	100G-SR4_CH2_TX3
A4	100G-SR4_CH1_TX4	B4	100G-SR4_CH2_TX4
A5	N/C	B5	N/C
A6	N/C	B6	N/C
A7	N/C	B7	N/C
A8	N/C	B8	N/C
A9	100G-SR4_CH1_RX4	B9	100G-SR4_CH2_RX4
A10	100G-SR4_CH1_RX3	B10	100G-SR4_CH2_RX3
A11	100G-SR4_CH1_RX2	B11	100G-SR4_CH2_RX2
A12	100G-SR4_CH1_RX1	B12	100G-SR4_CH2_RX1

### J2 I/O CHART 9

	1	2	3	4	5	6
<b>A</b>	GND	GND	GND	GND	GND	GND
<b>B</b>	GND	100G-KR4_CH1_TX3+	GND	100G-KR4_CH2_TX3+	GND	RESET
<b>C</b>	100G-KR4_CH1_TX1+	100G-KR4_CH1_TX3-	100G-KR4_CH2_TX1+	100G-KR4_CH2_TX3-	POWER 12V	RESET_RTN
<b>D</b>	100G-KR4_CH1_TX1-	GND	100G-KR4_CH2_TX1-	GND	POWER 12V	GND
<b>E</b>	GND	100G-KR4_CH1_TX4+	GND	100G-KR4_CH2_TX4+	GND	SDA
<b>F</b>	100G-KR4_CH1_TX2+	100G-KR4_CH1_TX4-	100G-KR4_CH2_TX2+	100G-KR4_CH2_TX4-	POWER 12V	SCL
<b>G</b>	100G-KR4_CH1_TX2-	GND	100G-KR4_CH2_TX2-	GND	POWER 12V	GND
<b>H</b>	GND	100G-KR4_CH1_RX4-	GND	100G-KR4_CH2_RX4-	GND	MDIO
<b>I</b>	100G-KR4_CH1_RX2-	100G-KR4_CH1_RX4+	100G-KR4_CH2_RX2-	100G-KR4_CH2_RX4+	POWER 12V	MDC
<b>J</b>	100G-KR4_CH1_RX2+	GND	100G-KR4_CH2_RX2+	GND	POWER 12V	GND
<b>K</b>	GND	100G-KR4_CH1_RX3-	GND	100G-KR4_CH2_RX3-	GND	N/C
<b>L</b>	100G-KR4_CH1_RX1-	100G-KR4_CH1_RX3+	100G-KR4_CH2_RX1-	100G-KR4_CH2_RX3+	POWER 12V	N/C
<b>M</b>	100G-KR4_CH1_RX1+	GND	100G-KR4_CH2_RX1+	GND	POWER 12V	GND
<b>N</b>	GND	GND	GND	GND	GND	GND

11. J1 CONNECTOR AND HOUSINGS ARE BLACK ZINC NICKEL PLATED ALUMINUM ALLOY.

10. FIBER LINES SHALL BE 850nm SIGNAL COMPATIBLE 50/125 MULTI MODE FIBER.

9 ALL TX AND RX SPECIFIED ON I/O CHART ARE FROM THE PERSPECTIVE OF CF-020400-62X ASSEMBLY.

8. MARKING ON LABEL MAY DIFFER FROM DRAWING BASED ON CUSTOMER SPECIFIC ORDER REQUIREMENTS.

7 PROTECTIVE CAP SHALL BE INSTALLED PRIOR TO SHIPPING.

6. ASSEMBLY CONTAINS ELECTROSTATIC DISCHARGE (ESD) SENSITIVE COMPONENTS. ASSEMBLY SHALL BE HANDLED, PACKAGED, AND SHIPPED TO MEET REQUIREMENTS OF ANSI/ESD-S-20.20 AND IPC-A-610.

5. J2 MATES WITH SAMTEC ECBF CABLE ASSEMBLY (SIZE: 4 DIFF X 6 COLUMN).

4. J1 MATES WITH TBD CONNECTOR P/N.

3. OPERATING TEMPERATURE: -40°C TO +85°C  
STORAGE TEMPERATURE: -40°C TO +85°C

2. PACKAGE PER PRODUCTION PROCESS SHEET.

1 MARK LABEL WITH "AMPHENOL", PART NUMBER, AND SEVEN DIGIT SERIAL NUMBER AND ATTACH ON INDICATED SURFACE. SERIAL NUMBER PER 9-9172-3.

EXAMPLE: FOR ASSEMBLY NUMBER 3 BUILT ON MAY 5 (WEEK 18), 2023.

AMPHENOL  
CF-020400-62N  
2318003

**NOTES:**

THE USE OF THIS DOCUMENT IS UNLIMITED. HOWEVER, DOCUMENTS REFERENCED HEREON MAY CONTAIN LIMITED RIGHTS DATA.

**PRELIMINARY  
DRAWING  
REVISION: X-3**

**PRELIMINARY  
DRAWING  
REVISION: X-3**

CF-020400-62X

SHEET 2 OF 2

REV. X-3

VISION 3

REVISION

Eng. PDM Information For Reference Only

REV. X-3

SHEET 2 OF 2

CF-020400-62X

SIZE <b>C</b>	CAGE CODE <b>77820</b>	DOCUMENT NO. <b>CF-020400-62X</b>	REV. <b>X-3</b>
SCALE: 1.5		REF: CF-020401-6XX	SHEET 2 OF 2