

SERIES: CFM-25B | **DESCRIPTION:** DC AXIAL FAN**FEATURES**

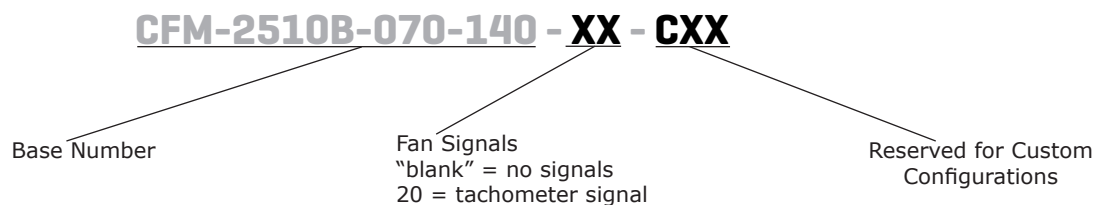
- 25 x 25 mm frame
- multiple speed options for different cooling needs
- auto restart protection standard on all models
- tachometer signal available
- 5 Vdc and 12 Vdc models available
- dual ball bearing construction



MODEL	input voltage		input current ¹	input power ¹	rated speed ¹	airflow ²	static pressure ³	noise ⁴
	rated (Vdc)	range (Vdc)	max (A)	max (W)	typ (RPM±20%)	(CFM)	(inch H ₂ O)	typ (dBA)
CFM-2510B-070-140	5	4.5~5.5	0.12	0.60	7,000	1.35	0.06	14.1
CFM-2510B-0100-218	5	4.5~5.5	0.21	1.05	10,000	1.93	0.13	21.8
CFM-2510B-0130-275	5	4.5~5.5	0.23	1.15	13,000	2.51	0.22	27.5
CFM-2510B-170-140	12	10.8~13.2	0.06	0.72	7,000	1.35	0.06	14.1
CFM-2510B-1100-218	12	10.8~13.2	0.08	0.96	10,000	1.93	0.13	21.8
CFM-2510B-1130-275	12	10.8~13.2	0.11	1.32	13,000	2.51	0.22	27.5

Notes:

1. At rated voltage, after 3 minutes.
2. At rated voltage, room temperature, 65% humidity, 0 inch H₂O static pressure.
3. At rated voltage, 0 CFM airflow.
4. Measured in an anechoic chamber as per ISO3745/GB4214-84 at rated voltage, with background noise 20±2 dBA at 1 m from the fan intake.
5. All specifications are measured at 25°C, 65% relative humidity unless otherwise specified.

PART NUMBER KEY

INPUT

parameter	conditions/description	min	typ	max	units
operating input voltage ⁶	5 Vdc input models	4.5	5	5.5	Vdc
	12 Vdc input models	10.8	12	13.2	Vdc
starting voltage	5 Vdc input models		3.5		Vdc
	12 Vdc input models		7.0		Vdc

Note: 6. See Model section on page 1 for specific input voltage ranges.

PERFORMANCE⁷

parameter	conditions/description	min	typ	max	units
rated speed	at rated voltage, 25°C, after 3 minutes	7,000		13,000	RPM
air flow	at 0 inch H ₂ O, see performance curves	1.35		2.51	CFM
static pressure	at 0 CFM, see performance curves	0.06		0.22	inch H ₂ O
noise	at 1 m, rated speed	14.1		27.5	dBA

Note: 7. See Model section on page 1 for specific values.

PROTECTIONS / FEATURES⁸

parameter	conditions/description	min	typ	max	units
auto restart	on all models				
tachometer signal	available on "20" models				

Notes: 8. See Application Notes for details.

SAFETY & COMPLIANCE

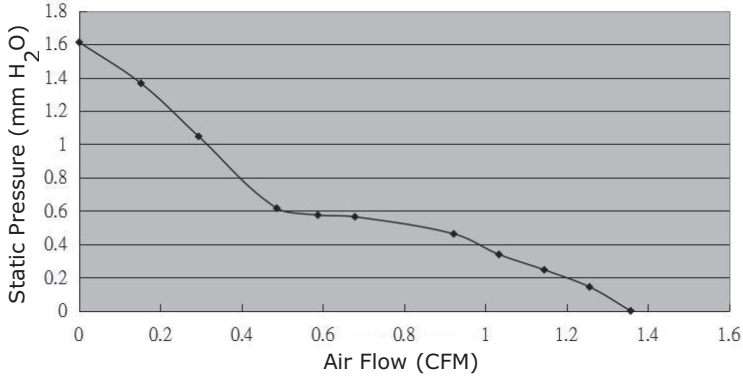
parameter	conditions/description	min	typ	max	units
insulation resistance	at 500 Vdc between frame and positive terminal	10			MΩ
dielectric strength	at 500 Vac, 60 Hz, 1 minute between housing and positive terminal			5	mA
safety approvals	UL/cUL 507, TUV (EN/IEC 62368-1:2020+A11)				
EMI/EMC	EN 55032:2015, EN 55035:2017				
life expectancy	at 40°C, 65% RH, 90% confidence level		70,000		hours
RoHS	yes				

ENVIRONMENTAL

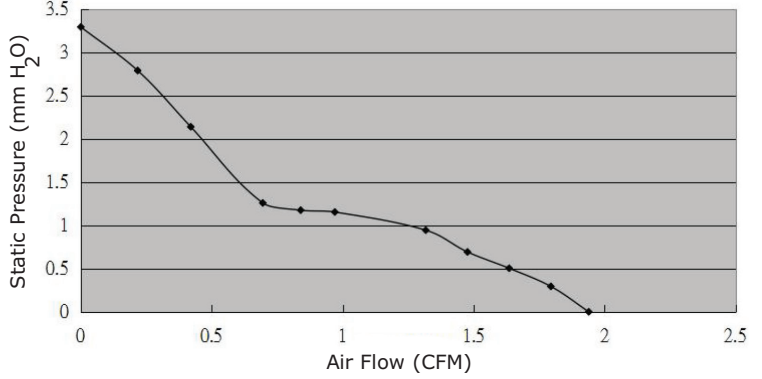
parameter	conditions/description	min	typ	max	units
operating temperature		-10		70	°C
storage temperature		-40		75	°C
operating humidity	non-condensing	35		85	%
storage humidity	non-condensing	35		85	%

PERFORMANCE CURVES

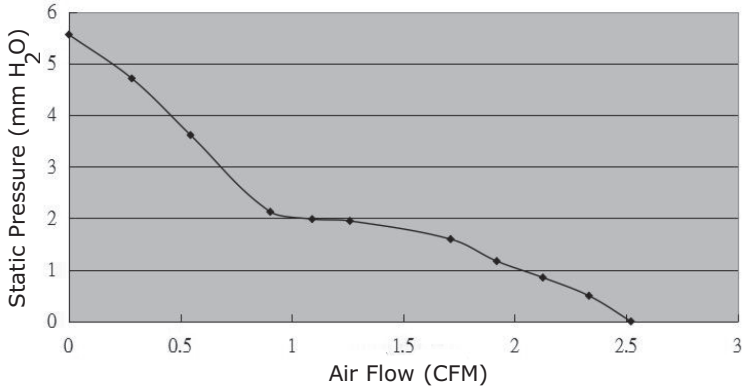
CFM-2510B-070-140



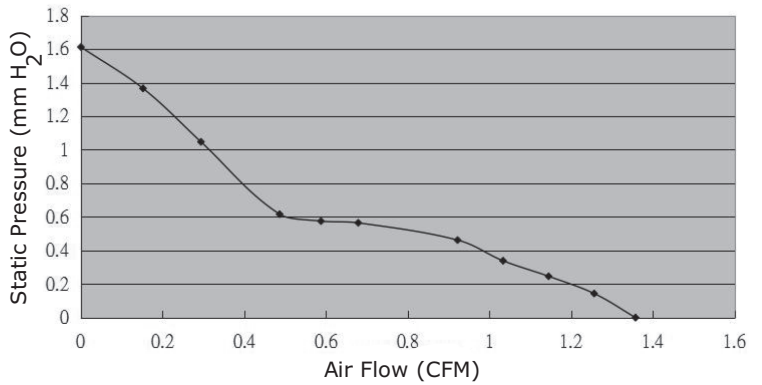
CFM-2510B-0100-218



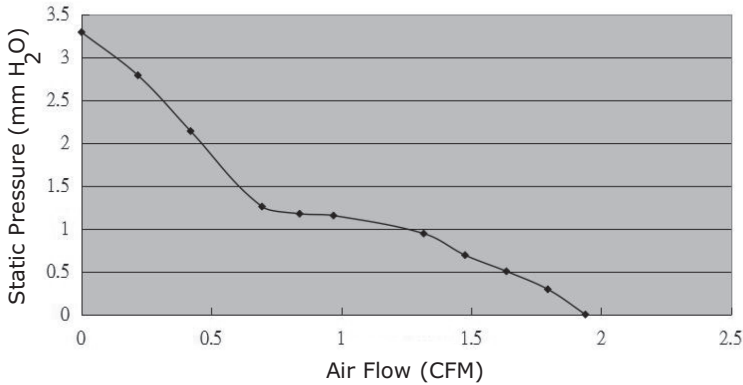
CFM-2510B-0130-275



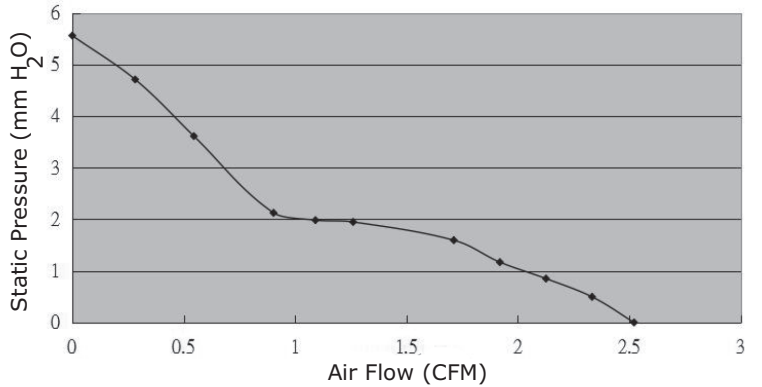
CFM-2510B-170-140



CFM-2510B-1100-218



CFM-2510B-1130-275



MECHANICAL

parameter	conditions/description	min	typ	max	units
motor	4 pole DC brushless				
bearing system	dual ball bearing				
direction of rotation	counter-clockwise viewed from front of fan blade				
dimensions	25 x 25 x 10				mm
material	PBT (UL94V-0)				
weight	5 Vdc models		6.89		g
	12 Vdc models		7.0		g

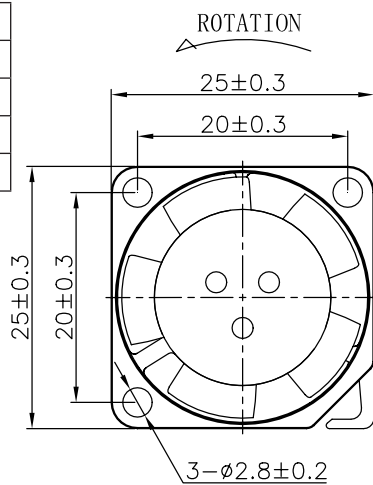
MECHANICAL DRAWING

units: mm

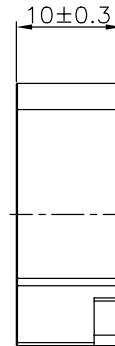
wire: UL 1061, 28 AWG

MOUNTING SCREW (Pan Head)			
Screw Type	Size	Standard	Torque
Machine Screw	M2.5	JIS B1111-1974	7.5 kgf-cm

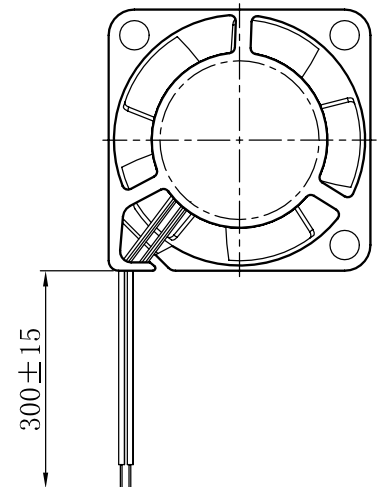
WIRE CONNECTIONS	
Wire Color	Function
Red	+Vin
Black	-Vin
Yellow ⁹	Tach Signal



AIR FLOW



ROTATION



Notes: 9. Wires only present on versions with output signals.

APPLICATION NOTES

Auto Restart Protection

When the fan motor is locked by an external force, the device will temporarily turn off electrical power to the motor and restart automatically when the locked rotor condition is released.

Tachometer Signal (Yellow Wire)

The tachometer signal is for detecting the rotational speed of the fan motor. The output will be a square wave when fan is operating and V_{FG} or V_{CE} depending on the locked rotor position when fan motor is locked (See Figures 1~2 below).

Figure 1: Tachometer Output Circuit

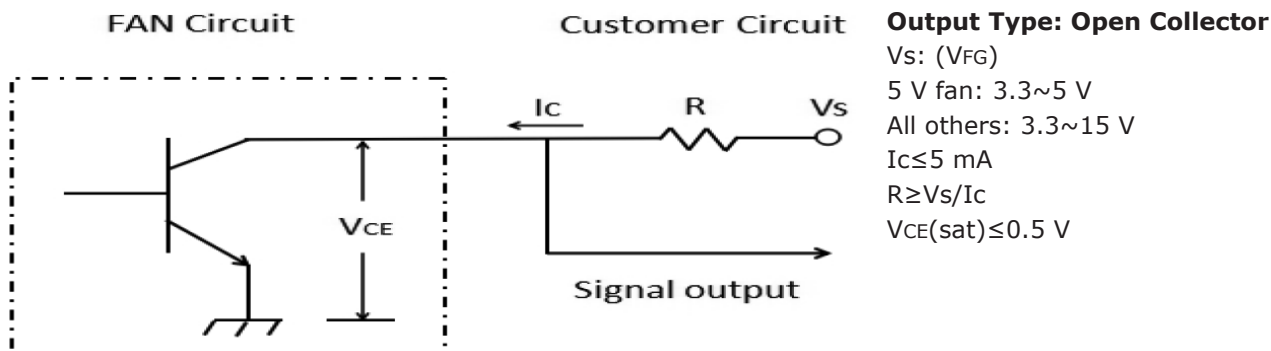


Figure 2: Tachometer Output Waveform

