

SERIES: CFM-40B | **DESCRIPTION:** DC AXIAL FAN**FEATURES**

- dual ball bearing
- 40 x 40 mm frame
- multiple speed options
- tachometer signal available



| MODEL | input voltage | | input current ¹ | input power ¹ | rated speed ¹ | airflow ² | static pressure ³ | noise ⁴ |
|-------------------|---------------|-------------|----------------------------|--------------------------|--------------------------|----------------------|------------------------------|--------------------|
| | rated (Vdc) | range (Vdc) | max (A) | max (W) | typ (RPM±15%) | (CFM) | (inch H ₂ O) | typ (dBA) |
| CFM-4010B-050-195 | 5 | 4.5~5.5 | 0.08 | 0.40 | 5,000 ⁵ | 4.22 | 0.07 | 19.5 |
| CFM-4010B-065-251 | 5 | 4.5~5.5 | 0.17 | 0.85 | 6,500 | 5.49 | 0.11 | 25.1 |
| CFM-4010B-080-296 | 5 | 4.5~5.5 | 0.24 | 1.20 | 8,000 | 6.76 | 0.17 | 29.6 |
| CFM-4010B-150-195 | 12 | 10.8~13.2 | 0.05 | 0.60 | 5,000 ⁵ | 4.22 | 0.07 | 19.5 |
| CFM-4010B-165-251 | 12 | 10.8~13.2 | 0.06 | 0.72 | 6,500 | 5.49 | 0.11 | 25.1 |
| CFM-4010B-180-296 | 12 | 10.8~13.2 | 0.09 | 1.08 | 8,000 | 6.76 | 0.17 | 29.6 |
| CFM-4010B-250-195 | 24 | 21.6~26.4 | 0.05 | 1.20 | 5,000 ⁵ | 4.22 | 0.07 | 19.5 |
| CFM-4010B-265-251 | 24 | 21.6~26.4 | 0.06 | 1.44 | 6,500 | 5.49 | 0.11 | 25.1 |
| CFM-4010B-280-296 | 24 | 21.6~26.4 | 0.08 | 1.92 | 8,000 | 6.76 | 0.17 | 29.6 |

- Notes:
1. At rated voltage, after 3 minutes.
 2. At rated voltage, room temperature, 65% humidity, 0 inch H₂O static pressure.
 3. At rated voltage, 0 CFM airflow.
 4. Measured in an anechoic chamber as per ISO3745/GB4214-84 at rated voltage, with background noise 20±2 dBA at 1 m from the fan intake.
 5. Typical rated speed is measured as RPM±18% at rated voltage.
 6. All specifications are measured at 25°C, 65% relative humidity unless otherwise specified.

PART NUMBER KEY

CFM-4010B-050-195 - XX - CXX

Base Number

Fan Signals
 "blank" = no signals
 20 = tachometer signal

Reserved for Custom Configurations

INPUT

| parameter | conditions/description | min | typ | max | units |
|--------------------------------------|------------------------|------|------|------|-------|
| operating input voltage ⁷ | 5 Vdc input models | 4.5 | 5 | 5.5 | Vdc |
| | 12 Vdc input models | 10.8 | 12 | 13.2 | Vdc |
| | 24 Vdc input models | 21.6 | 24 | 26.4 | Vdc |
| starting voltage | 5 Vdc input models | | 3.5 | | Vdc |
| | 12 Vdc input models | | 7.0 | | Vdc |
| | 24 Vdc input models | | 14.0 | | Vdc |

Note: 7. See Model section on page 1 for specific input voltage ranges.

PERFORMANCE⁸

| parameter | conditions/description | min | typ | max | units |
|-----------------|--|-------|-----|-------|-----------------------|
| rated speed | at rated voltage, 25°C, after 3 minutes | 5,000 | | 8,000 | RPM |
| air flow | at 0 inch H ₂ O, see performance curves | 4.22 | | 6.76 | CFM |
| static pressure | at 0 CFM, see performance curves | 0.07 | | 0.17 | inch H ₂ O |
| noise | at 1 m, rated speed | 19.5 | | 29.6 | dBA |

Note: 8. See Model section on page 1 for specific values.

PROTECTIONS / FEATURES⁹

| parameter | conditions/description | min | typ | max | units |
|---------------------|--------------------------|-----|-----|-----|-------|
| polarity protection | on all models | | | | |
| tachometer signal | available on "20" models | | | | |

Notes: 9. See Application Notes for details.

SAFETY & COMPLIANCE

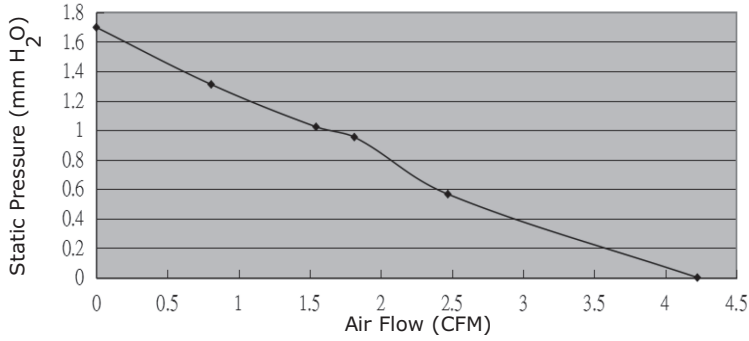
| parameter | conditions/description | min | typ | max | units |
|-----------------------|---|-----|--------|-----|-------|
| insulation resistance | at 500 Vdc between frame and positive terminal | 10 | | | MΩ |
| dielectric strength | at 500 Vac, 60 Hz, 1 minute between housing and positive terminal | | | 5 | mA |
| safety approvals | UL/cUL 507, TUV (EN/IEC 62368-1:2020+A11) | | | | |
| EMI/EMC | EN 55032:2015, EN 55035:2017 | | | | |
| life expectancy | at 40°C, 65% RH, 90% confidence level | | 70,000 | | hours |
| RoHS | yes | | | | |

ENVIRONMENTAL

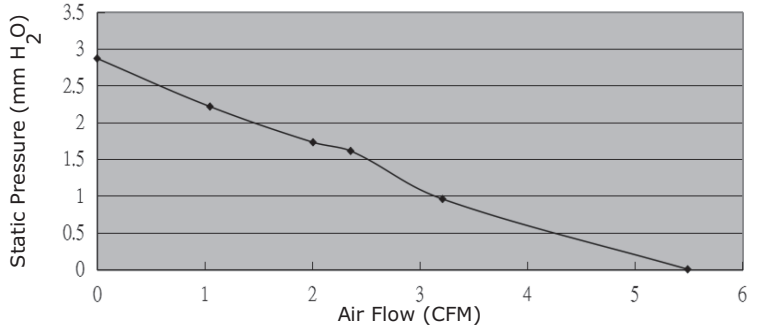
| parameter | conditions/description | min | typ | max | units |
|-----------------------|------------------------|-----|-----|-----|-------|
| operating temperature | | -10 | | 70 | °C |
| storage temperature | | -40 | | 75 | °C |
| operating humidity | non-condensing | 35 | | 85 | % |
| storage humidity | non-condensing | 35 | | 85 | % |

PERFORMANCE CURVES

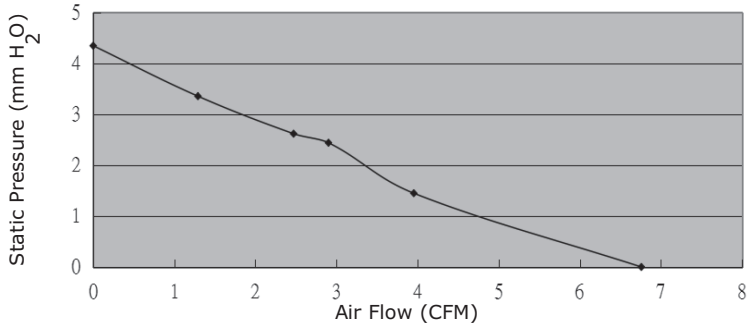
CFM-4010B-050-195



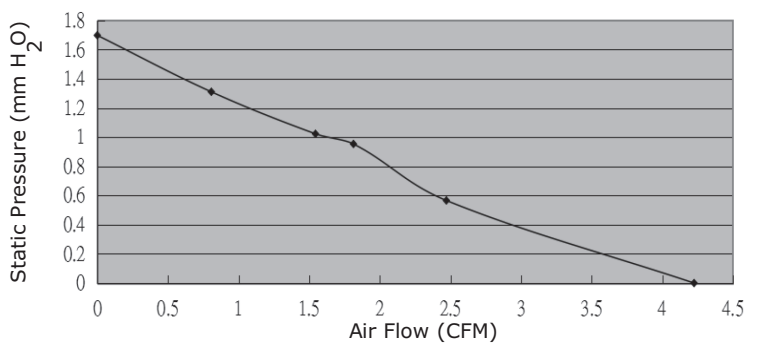
CFM-4010B-065-251



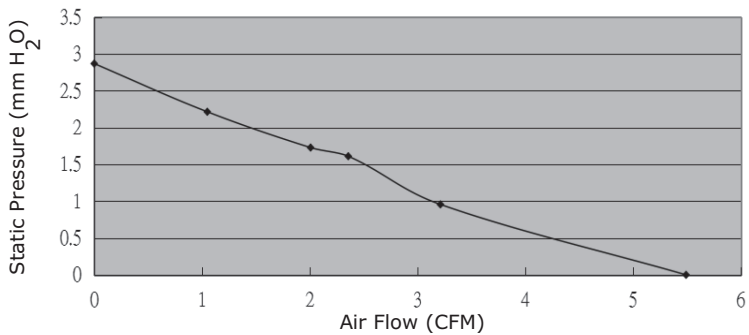
CFM-4010B-080-296



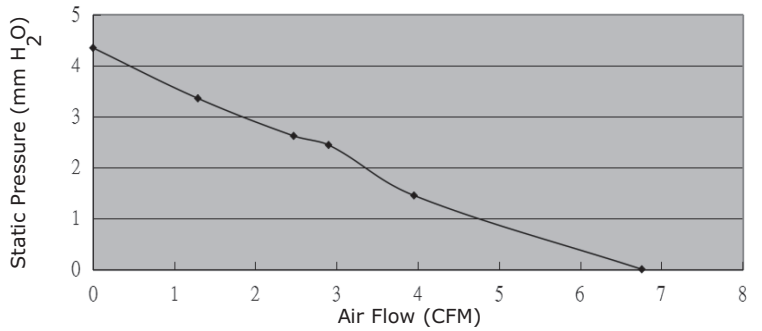
CFM-4010B-150-195



CFM-4010B-165-251

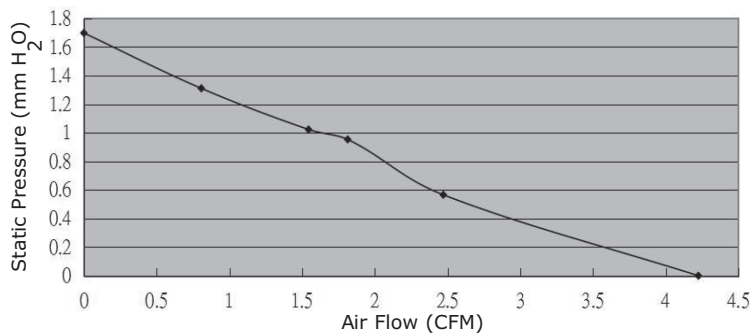


CFM-4010B-180-296

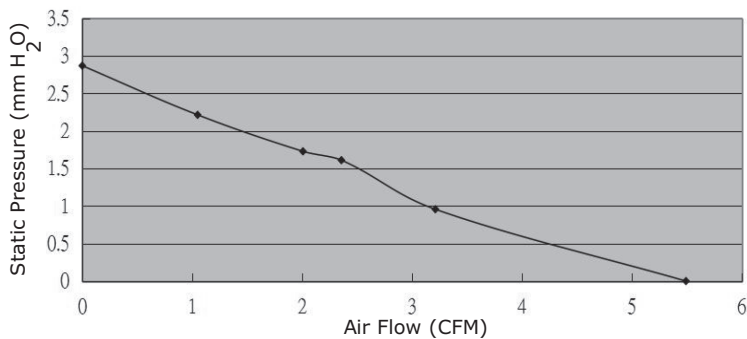


PERFORMANCE CURVES (CONTINUED)

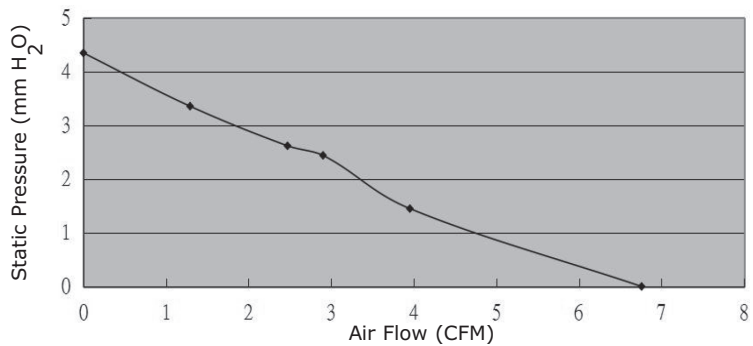
CFM-4010B-250-195



CFM-4010B-265-251



CFM-4010B-280-296



MECHANICAL

| parameter | conditions/description | min | typ | max | units |
|-----------------------|--|-----|------|-----|-------|
| motor | 4 pole DC brushless | | | | |
| bearing system | dual ball bearing | | | | |
| direction of rotation | counter-clockwise viewed from front of fan blade | | | | |
| dimensions | 40 x 40 x 10.5 | | | | mm |
| material | PBT (UL94V-0) | | | | |
| weight | CFM-4010B-250-195 | | 13.4 | | g |
| | CFM-4010B-265-251 | | 17.7 | | g |
| | CFM-4010B-280-296 | | 12.8 | | g |
| | all other models | | 13.8 | | g |

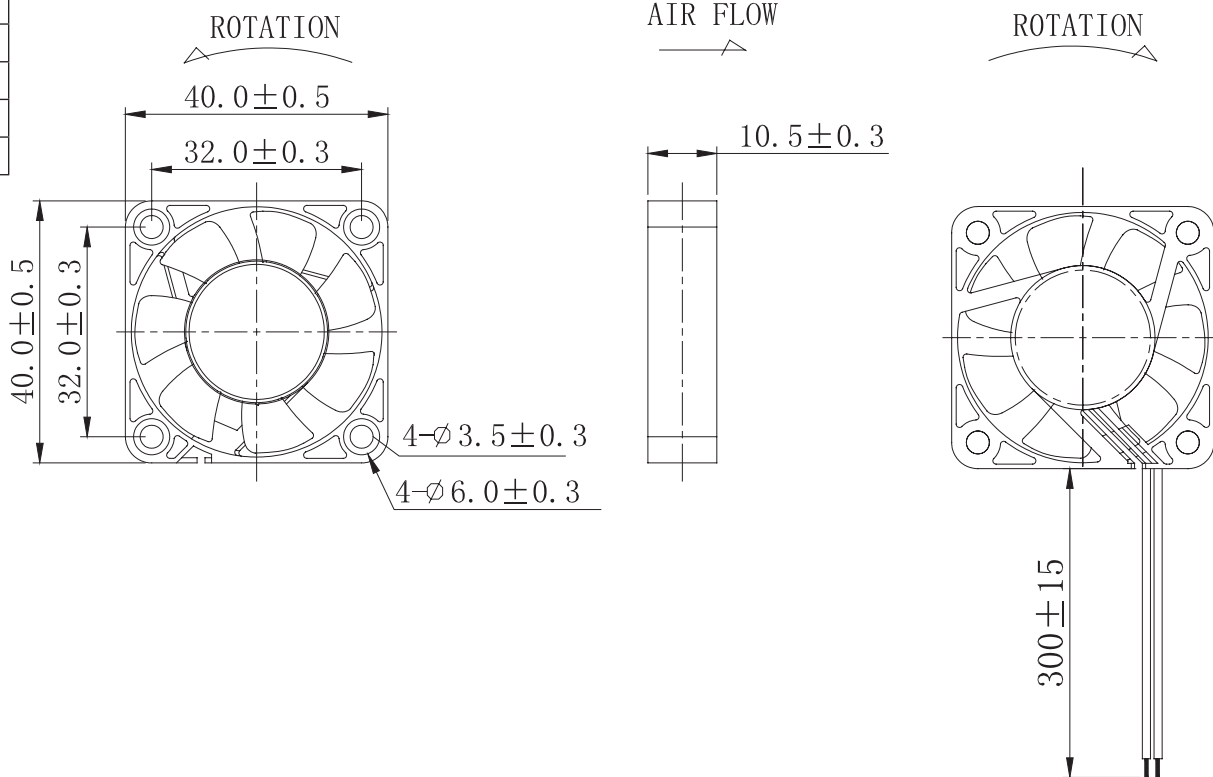
MECHANICAL DRAWING

units: mm

wire: UL 1007, 26 AWG

| MOUNTING SCREW (Pan Head) | | | |
|---------------------------|------|----------------|------------|
| Screw Type | Size | Standard | Torque |
| Machine Screw | M3 | JIS B1111-1974 | 7.5 kgf-cm |

| WIRE CONNECTIONS | |
|----------------------|-------------|
| Wire Color | Function |
| Red | +Vin |
| Black | -Vin |
| Yellow ¹⁰ | Tach Signal |



Notes: 10. Wires only present on versions with output signals.

APPLICATION NOTES

Polarity Protection

Able to withstand 10 minutes of reverse polarity connection between the positive and negative wires without causing damage.

Tachometer Signal (Yellow Wire)

The tachometer signal is for detecting the rotational speed of the fan motor. The output will be a square wave when fan is operating and V_{FG} or V_{CE} depending on the locked rotor position when fan motor is locked (See Figures 1~2 below).

Figure 1: Tachometer Output Circuit

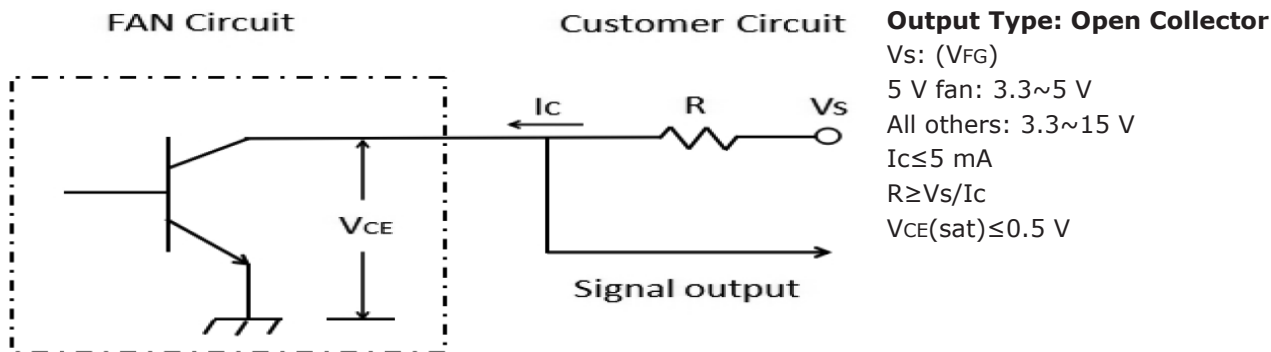


Figure 2: Tachometer Output Waveform

