

## SERIES: CFM-50BF | DESCRIPTION: DC AXIAL FAN

### FEATURES

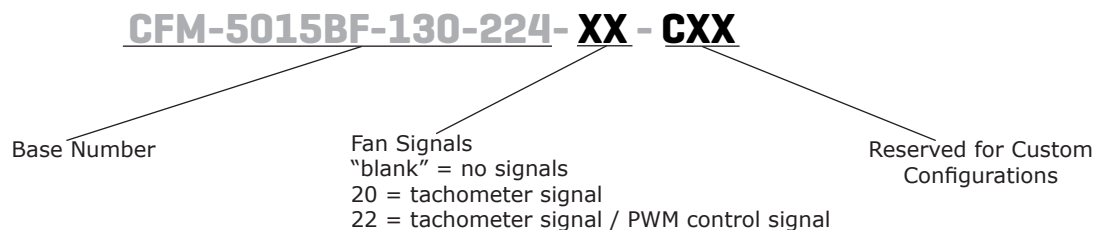
- dual ball bearing system
- 50 x 50 mm frame
- multiple speed options
- PWM/tachometer wires available



MODEL	input voltage		input current <sup>1</sup>	input power <sup>1</sup>	rated speed <sup>1</sup>	airflow <sup>2</sup>	static pressure <sup>3</sup>	noise <sup>4</sup>
	rated (Vdc)	range (Vdc)	max (A)	max (W)	typ (RPM±10%)	(CFM)	(inch H <sub>2</sub> O)	typ (dBA)
CFM-5015BF-130-224	12	10.8~13.2	0.06	0.72	3,000 <sup>5</sup>	7.78	0.05	22.4
CFM-5015BF-145-312	12	10.8~13.2	0.09	1.08	4,500 <sup>5</sup>	11.68	0.11	31.3
CFM-5015BF-160-374	12	10.8~13.2	0.20	2.40	6,000	15.57	0.20	37.4
CFM-5015BF-175-423	12	10.8~13.2	0.32	3.84	7,500	19.46	0.32	42.3

- Notes:
1. At rated voltage, after 3 minutes.
  2. At rated voltage, room temperature, 65% humidity, 0 inch H<sub>2</sub>O static pressure.
  3. At rated voltage, 0 CFM airflow.
  4. Measured in an anechoic chamber as per ISO3745/GB4214-84 at rated voltage, with background noise 20±2 dBA at 1 m from the fan intake.
  5. Typical rated speed is measured as RPM±600 at rated voltage.
  6. All specifications are measured at 25°C, 65% relative humidity unless otherwise specified.

### PART NUMBER KEY



## INPUT

parameter	conditions/description	min	typ	max	units
operating input voltage		10.8	12	13.2	Vdc
starting voltage			7.0		Vdc

## PERFORMANCE<sup>7</sup>

parameter	conditions/description	min	typ	max	units
rated speed	at rated voltage, 25°C, after 3 minutes	3,000		7,500	RPM
air flow	at 0 inch H <sub>2</sub> O, see performance curves	7.78		19.46	CFM
static pressure	at 0 CFM, see performance curves	0.05		0.32	inch H <sub>2</sub> O
noise	at 1 m, rated speed	22.4		42.3	dBA

Note: 7. See Model section on page 1 for specific values.

## PROTECTIONS / FEATURES<sup>8</sup>

parameter	conditions/description	min	typ	max	units
auto restart	only available on CFM-5015BF-175-423 models				
polarity protection	on all models				
tachometer signal	available on "20" and "22" models				
PWM control signal	available on "22" models				

Notes: 8. See Application Notes for details.

## SAFETY & COMPLIANCE

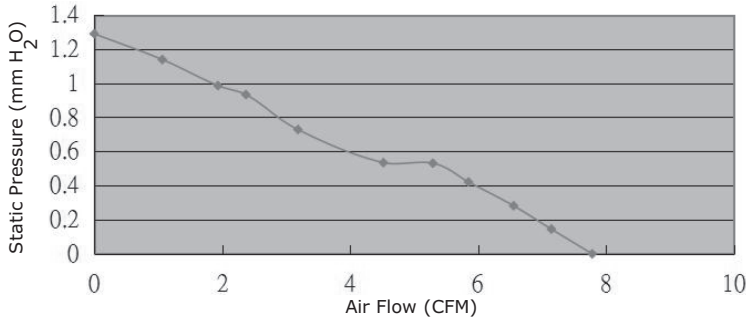
parameter	conditions/description	min	typ	max	units
insulation resistance	at 500 Vdc between frame and positive terminal	10			MΩ
dielectric strength	at 500 Vac, 60 Hz, 1 minute between housing and positive terminal			5	mA
safety approvals	UL/cUL 507, TUV (EN/IEC 62368-1:2020+A11)				
EMI/EMC	EN 55032:2015, EN 55035:2017				
life expectancy	at 40°C, 65% RH, 90% confidence level		70,000		hours
RoHS	yes				

## ENVIRONMENTAL

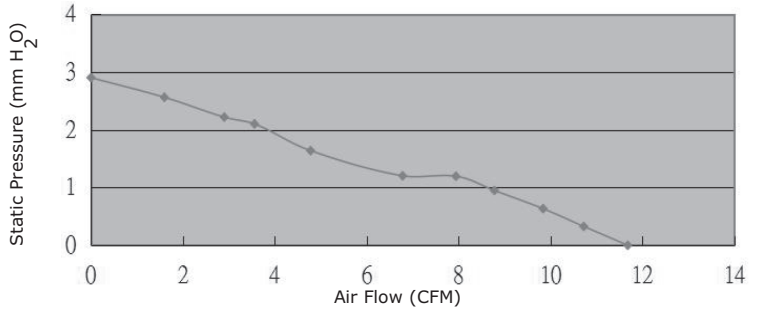
parameter	conditions/description	min	typ	max	units
operating temperature		-10		70	°C
storage temperature		-40		75	°C
operating humidity	non-condensing	35		85	%
storage humidity	non-condensing	35		85	%

## PERFORMANCE CURVES

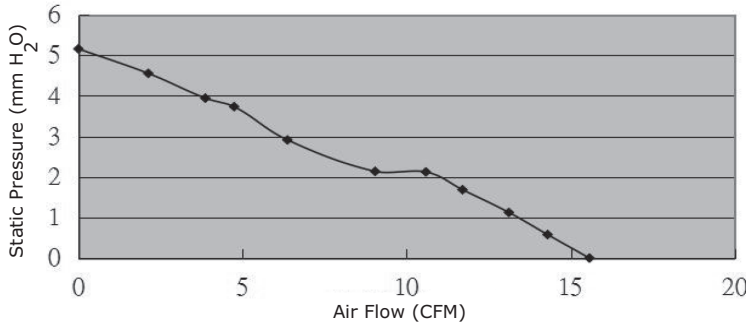
**CFM-5015BF-130-224**



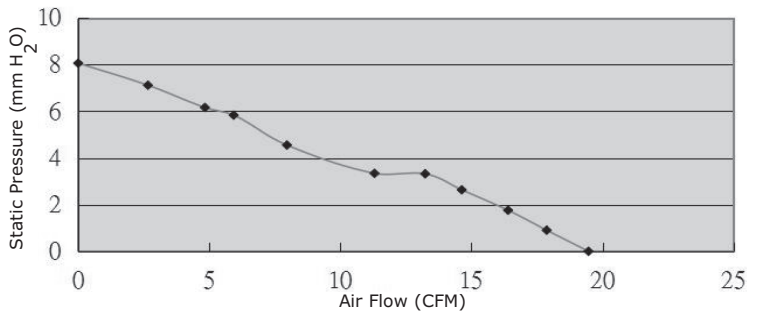
**CFM-5015BF-145-312**



**CFM-5015BF-160-374**



**CFM-5015BF-175-423**



## MECHANICAL

parameter	conditions/description	min	typ	max	units
motor	4 pole DC brushless				
bearing system	dual ball bearing				
direction of rotation	counter-clockwise viewed from front of fan blade				
dimensions	50 x 50 x 15.5				mm
material	PBT (UL94V-0)				
weight	CFM-5015BF-130-224		27.8		g
	CFM-5015BF-145-312		26.9		g
	CFM-5015BF-160-374		27.0		g
	CFM-5015BF-175-423		27.6		g

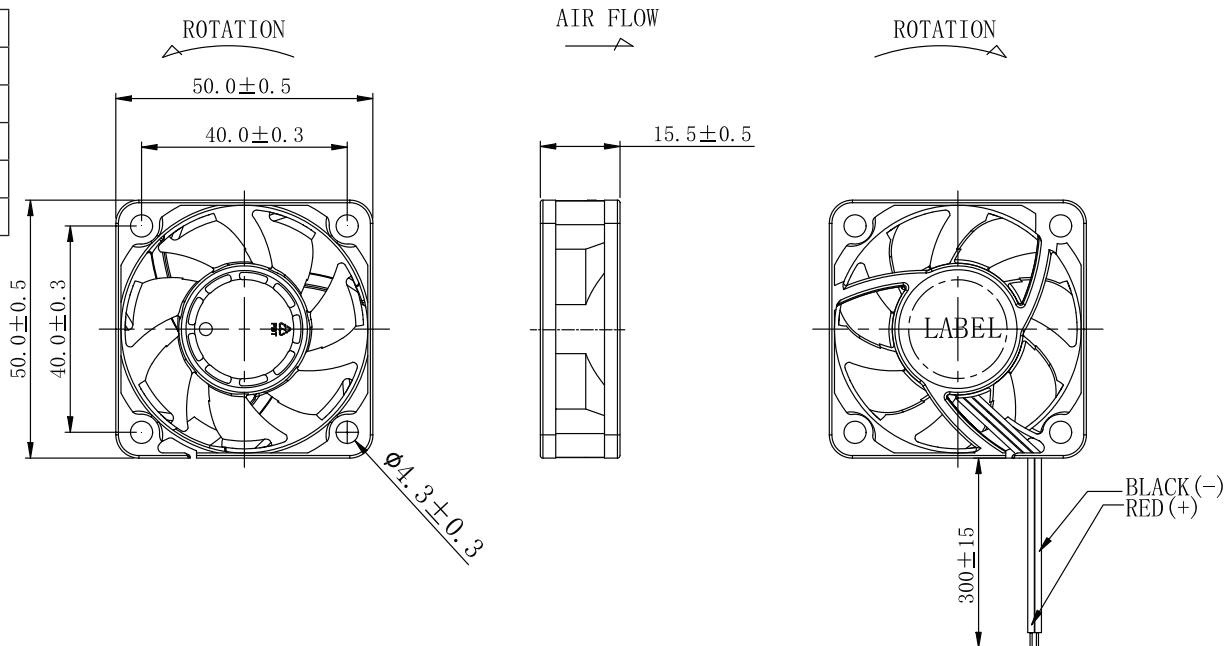
## MECHANICAL DRAWING

units: mm

2 wire versions (+Vin & -Vin): UL 1007, 26 AWG  
 3 wire versions (+Vin, -Vin, & tach): UL 1007, 26 AWG  
 4 wire versions (+Vin, -Vin, tach, & PWM): UL 1061, 26 AWG

MOUNTING SCREW (Pan Head)			
Screw Type	Size	Standard	Torque
Machine Screw	M4	JIS B1111-1974	7.5 kgf-cm
Self-tapping Screw	M4.8	JIS B1122 Type 2	7.5 kgf-cm

WIRE CONNECTIONS	
Wire Color	Function
Red	+Vin
Black	-Vin
Yellow <sup>9</sup>	Tach Signal
Blue <sup>9</sup>	PWM



Notes: 9. Wires only present on versions with output signals.

## APPLICATION NOTES

### Auto Restart Protection

When the fan motor is locked by an external force, the device will temporarily turn off electrical power to the motor and restart automatically when the locked rotor condition is released.

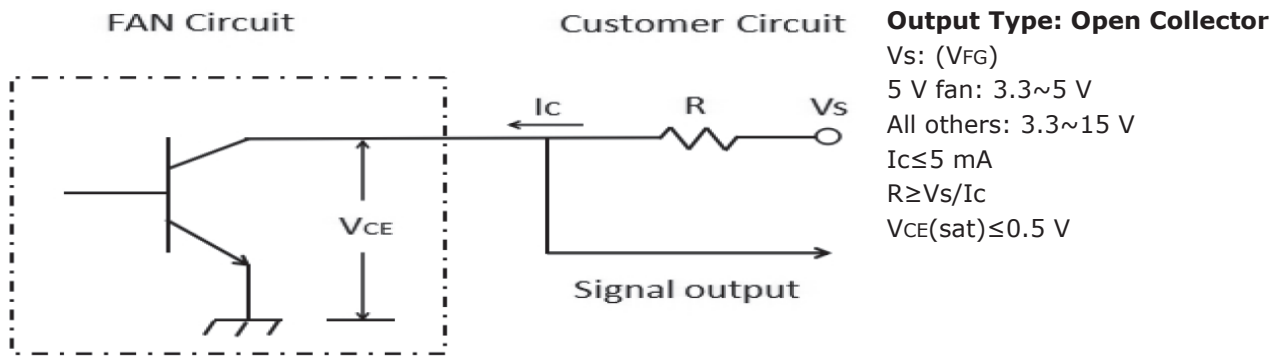
### Polarity Protection

Able to withstand 10 minutes of reverse polarity connection between the positive and negative wires without causing damage.

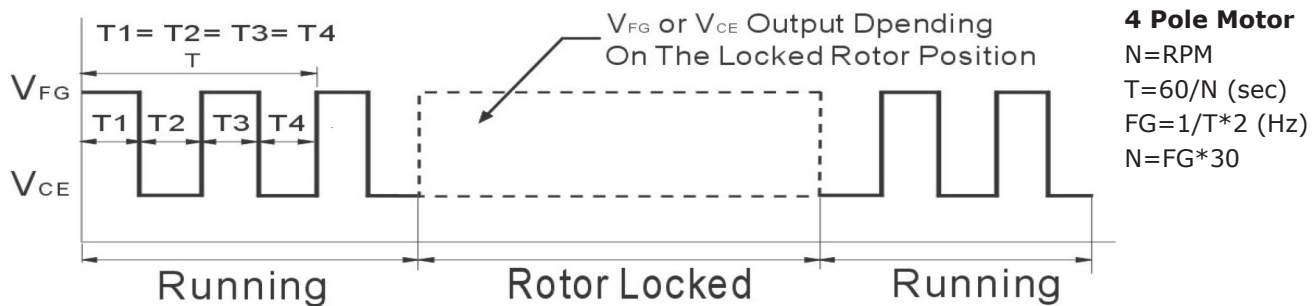
### Tachometer Signal (Yellow Wire)

The tachometer signal is for detecting the rotational speed of the fan motor. The output will be a square wave when fan is operating and  $V_{FG}$  or  $V_{CE}$  depending on the locked rotor position when fan motor is locked (See Figures 1~2 below).

**Figure 1: Tachometer Output Circuit**



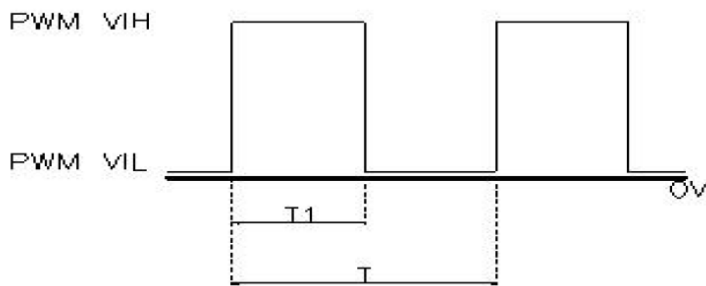
**Figure 2: Tachometer Output Waveform**



### PWM Signal (Blue Wire)

This wire is for speed control of the fan motor using a PWM input signal from the customer circuit (See Figure 3 below).

**Figure 3: PWM Input Signal**



PWM Duty Cycle (%) =  $T_1 / T \times 100\%$   
 PWM Frequency Range: 20~30 kHz  
 PWM  $V_{IH}$  = 2.8~5.5 V  
 PWM  $V_{IL}$  = 0~0.6 V