

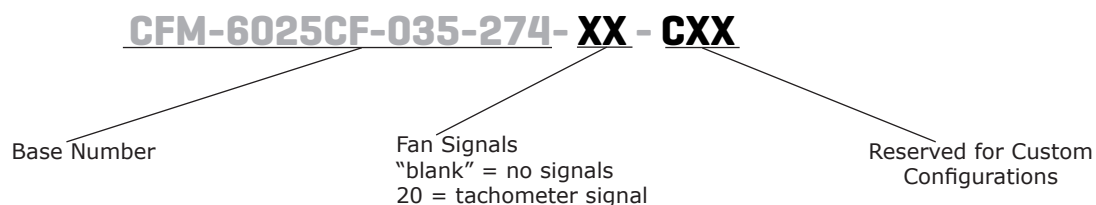
SERIES: CFM-60CF | **DESCRIPTION:** DC AXIAL FAN**FEATURES**

- omniCOOL™ bearing system
- 60 x 60 mm frame
- multiple speed options
- tachometer signal available



| MODEL | input voltage | | input current ¹ | input power ¹ | rated speed ¹ | airflow ² | static pressure ³ | noise ⁴ |
|--------------------|---------------|-------------|----------------------------|--------------------------|--------------------------|----------------------|------------------------------|--------------------|
| | rated (Vdc) | range (Vdc) | max (A) | max (W) | typ (RPM±10%) | (CFM) | (inch H ₂ O) | typ (dBA) |
| CFM-6015CF-225-204 | 24 | 21.6~26.4 | 0.04 | 0.96 | 2,500 ⁵ | 11.01 | 0.05 | 20.5 |
| CFM-6015CF-235-278 | 24 | 21.6~26.4 | 0.06 | 1.44 | 3,500 ⁶ | 15.41 | 0.09 | 27.8 |
| CFM-6015CF-245-332 | 24 | 21.6~26.4 | 0.11 | 2.64 | 4,500 ⁶ | 19.82 | 0.16 | 33.2 |
| CFM-6015CF-255-375 | 24 | 21.6~26.4 | 0.15 | 3.60 | 5,500 ⁶ | 24.22 | 0.23 | 37.6 |
| CFM-6025CF-035-274 | 5 | 4.5~5.5 | 0.39 | 1.95 | 3,500 | 16.76 | 0.11 | 27.5 |
| CFM-6025CF-050-351 | 5 | 4.5~5.5 | 0.51 | 2.55 | 5,000 | 23.95 | 0.22 | 35.2 |
| CFM-6025CF-135-274 | 12 | 10.8~13.2 | 0.15 | 1.80 | 3,500 | 16.76 | 0.11 | 27.5 |
| CFM-6025CF-150-351 | 12 | 10.8~13.2 | 0.29 | 3.48 | 5,000 | 23.95 | 0.22 | 35.2 |
| CFM-6025CF-165-408 | 12 | 10.8~13.2 | 0.50 | 6.00 | 6,500 | 31.13 | 0.37 | 40.9 |
| CFM-6025CF-235-274 | 24 | 21.6~26.4 | 0.08 | 1.92 | 3,500 | 16.76 | 0.11 | 27.5 |
| CFM-6025CF-250-351 | 24 | 21.6~26.4 | 0.14 | 3.36 | 5,000 | 23.95 | 0.22 | 35.2 |
| CFM-6025CF-265-408 | 24 | 21.6~26.4 | 0.23 | 5.52 | 6,500 | 31.13 | 0.37 | 40.9 |

- Notes:
1. At rated voltage, after 3 minutes.
 2. At rated voltage, room temperature, 65% humidity, 0 inch H₂O static pressure.
 3. At rated voltage, 0 CFM airflow.
 4. Measured in an anechoic chamber as per ISO3745/GB4214-84 at rated voltage, with background noise 20±2 dBA at 1 m from the fan intake.
 5. Typical rated speed is measured as RPM±400 at rated voltage.
 6. Typical rated speed is measured as RPM±600 at rated voltage.
 7. All specifications are measured at 25°C, 65% relative humidity unless otherwise specified.

PART NUMBER KEY

INPUT

| parameter | conditions/description | min | typ | max | units |
|--------------------------------------|------------------------|------|-----|------|-------|
| operating input voltage ⁸ | 5 Vdc input models | 4.5 | 5 | 5.5 | Vdc |
| | 12 Vdc input models | 10.8 | 12 | 13.2 | Vdc |
| | 24 Vdc input models | 21.6 | 24 | 26.4 | Vdc |
| starting voltage | 5 Vdc input models | | 4 | | Vdc |
| | 12 Vdc input models | | 7 | | Vdc |
| | 24 Vdc input models | | 14 | | Vdc |

Note: 8. See Model section on page 1 for specific input voltage ranges.

PERFORMANCE⁹

| parameter | conditions/description | min | typ | max | units |
|-----------------|--|-------|-----|-------|-----------------------|
| rated speed | at rated voltage, 25°C, after 3 minutes | 2,500 | | 6,500 | RPM |
| air flow | at 0 inch H ₂ O, see performance curves | 11.01 | | 31.13 | CFM |
| static pressure | at 0 CFM, see performance curves | 0.05 | | 0.37 | inch H ₂ O |
| noise | at 1 m, rated speed | 20.5 | | 40.9 | dBA |

Note: 9. See Model section on page 1 for specific values.

PROTECTIONS / FEATURES¹⁰

| parameter | conditions/description | min | typ | max | units |
|---------------------|--------------------------|-----|-----|-----|-------|
| auto restart | on all models | | | | |
| polarity protection | on all models | | | | |
| tachometer signal | available on "20" models | | | | |

Notes: 10. See Application Notes for details.

SAFETY & COMPLIANCE

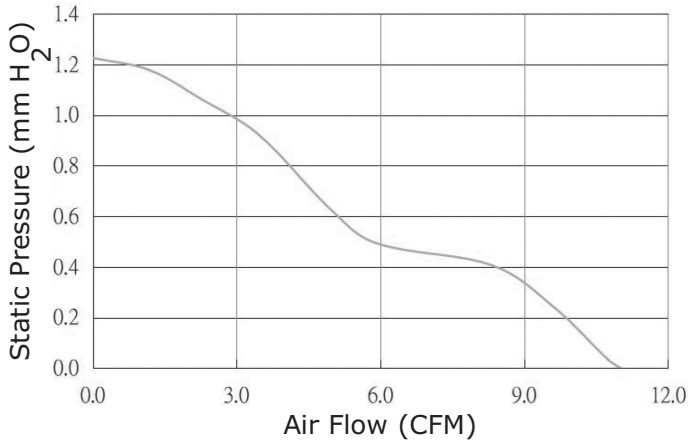
| parameter | conditions/description | min | typ | max | units |
|-----------------------|---|-----|--------|-----|-------|
| insulation resistance | at 500 Vdc between frame and positive terminal | 10 | | | MΩ |
| dielectric strength | at 500 Vac, 60 Hz, 1 minute between housing and positive terminal | | | 5 | mA |
| safety approvals | UL/cUL 507, TUV (EN/IEC 62368-1:2020+A11) | | | | |
| EMI/EMC | EN 55032:2015, EN 55035:2017 | | | | |
| life expectancy | at 40°C, 65% RH, 90% confidence level | | 70,000 | | hours |
| RoHS | yes | | | | |

ENVIRONMENTAL

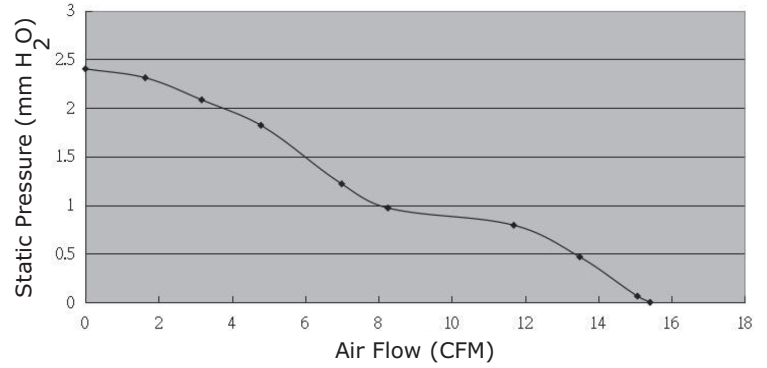
| parameter | conditions/description | min | typ | max | units |
|-----------------------|------------------------|-----|-----|-----|-------|
| operating temperature | | -10 | | 70 | °C |
| storage temperature | | -40 | | 75 | °C |
| operating humidity | non-condensing | 35 | | 85 | % |
| storage humidity | non-condensing | 35 | | 85 | % |

PERFORMANCE CURVES

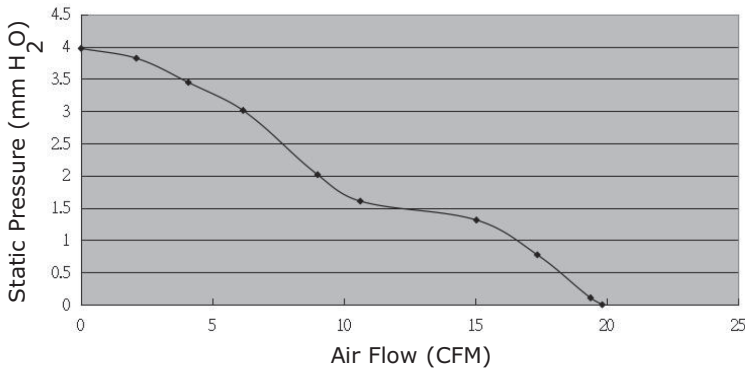
CFM-6015CF-225-204



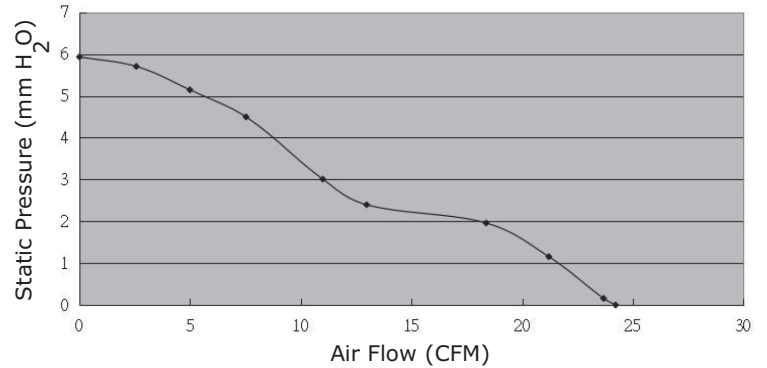
CFM-6015CF-235-278



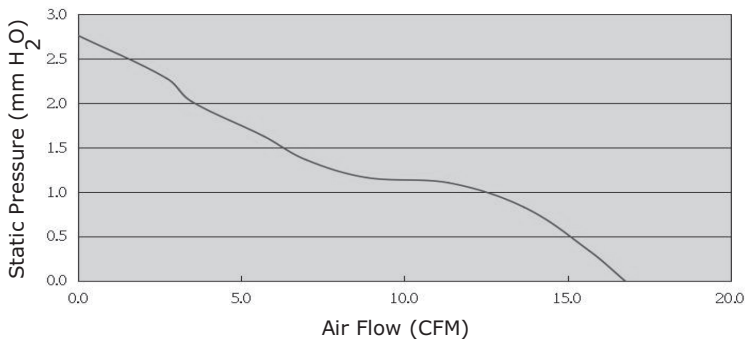
CFM-6015CF-245-332



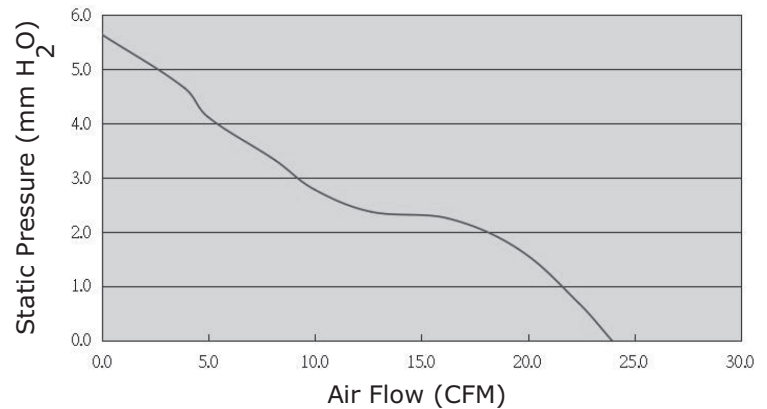
CFM-6015CF-255-375



CFM-6025CF-035-274

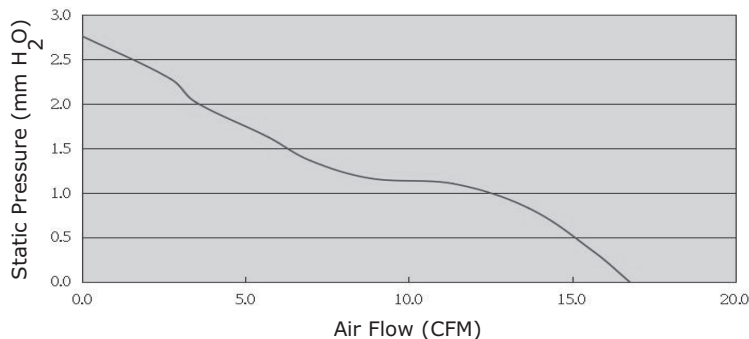


CFM-6025CF-050-351

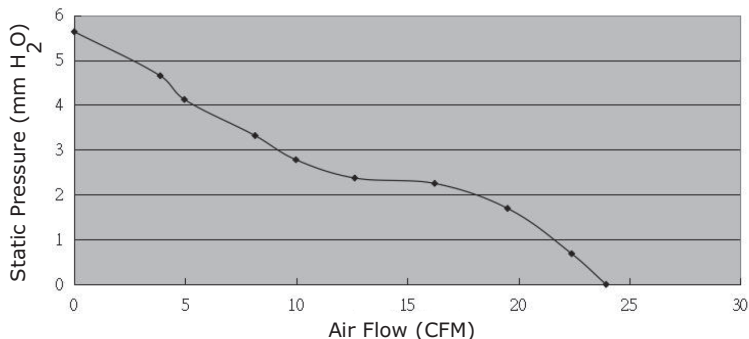


PERFORMANCE CURVES (CONTINUED)

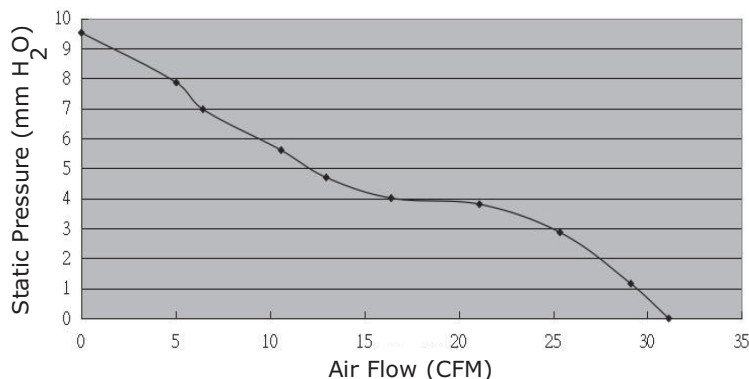
CFM-6025CF-135-274



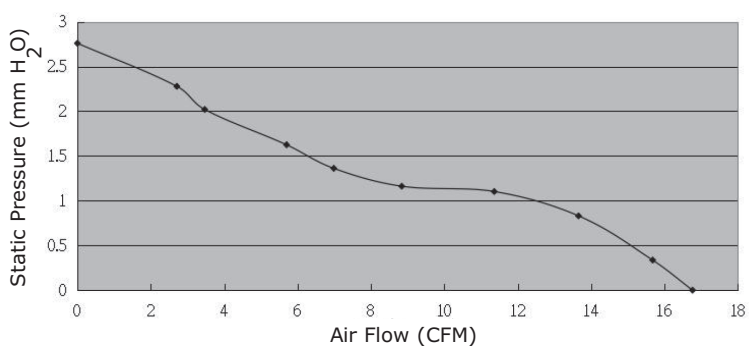
CFM-6025CF-150-351



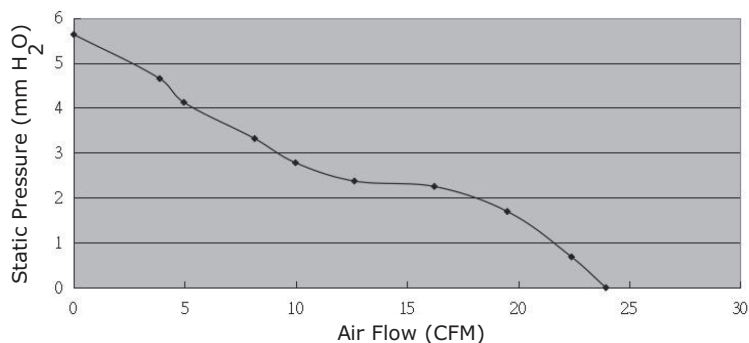
CFM-6025CF-165-408



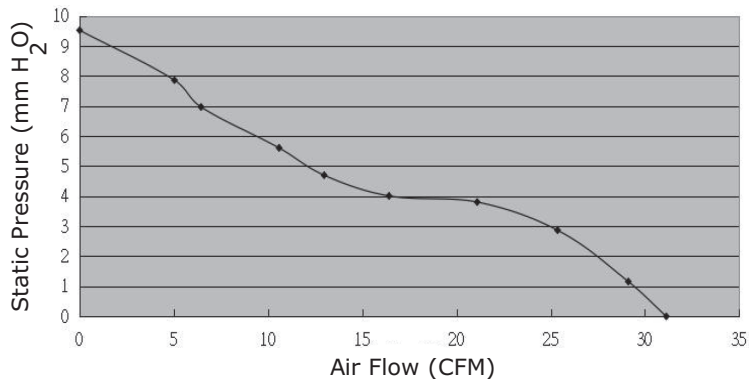
CFM-6025CF-235-274



CFM-6025CF-250-351



CFM-6025CF-265-408



MECHANICAL

| parameter | conditions/description | min | typ | max | units |
|-----------------------|--|--------------|-----|--------------|----------|
| motor | 4 pole DC brushless | | | | |
| bearing system | omniCOOL™ bearing system | | | | |
| direction of rotation | counter-clockwise viewed from front of fan blade | | | | |
| dimensions | CFM-6015CF models: 60 x 60 x 15.5 CFM-6025CF models: 60 x 60 x 25.4 | | | | mm mm |
| material | PBT (UL94V-0) | | | | |
| weight | CFM-6015CF models: weight varies by models CFM-6025CF models: weight varies by models | 39.6 56.7 | | 42.5 77.5 | g g |

MECHANICAL DRAWING

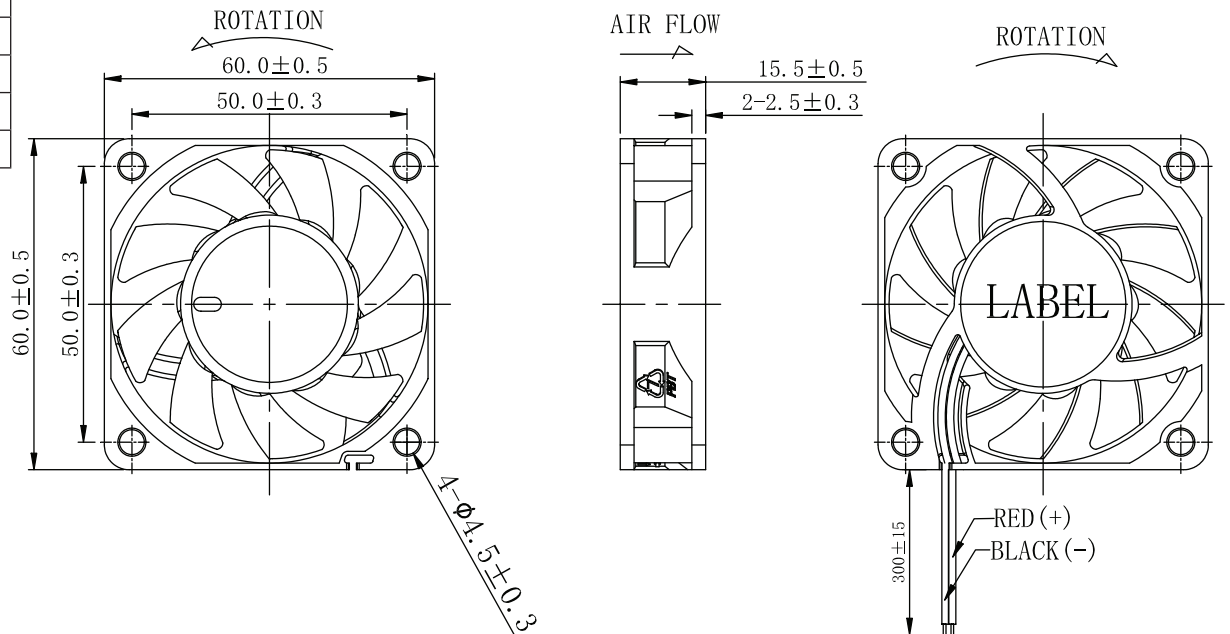
units: mm

wire: UL 1007, 26 AWG

| MOUNTING SCREW (Pan Head) | | | |
|---------------------------|------|------------------|------------|
| Screw Type | Size | Standard | Torque |
| Machine Screw | M4 | JIS B1111-1974 | 7.5 kgf-cm |
| Self-tapping Screw | M5 | JIS B1122 Type 2 | 7.5 kgf-cm |

CFM-6015CF

| WIRE CONNECTIONS | |
|----------------------|-------------|
| Wire Color | Function |
| Red | +Vin |
| Black | -Vin |
| Yellow ¹¹ | Tach Signal |



Notes: 11. Wires only present on versions with output signals.

MECHANICAL DRAWING (CONTINUED)

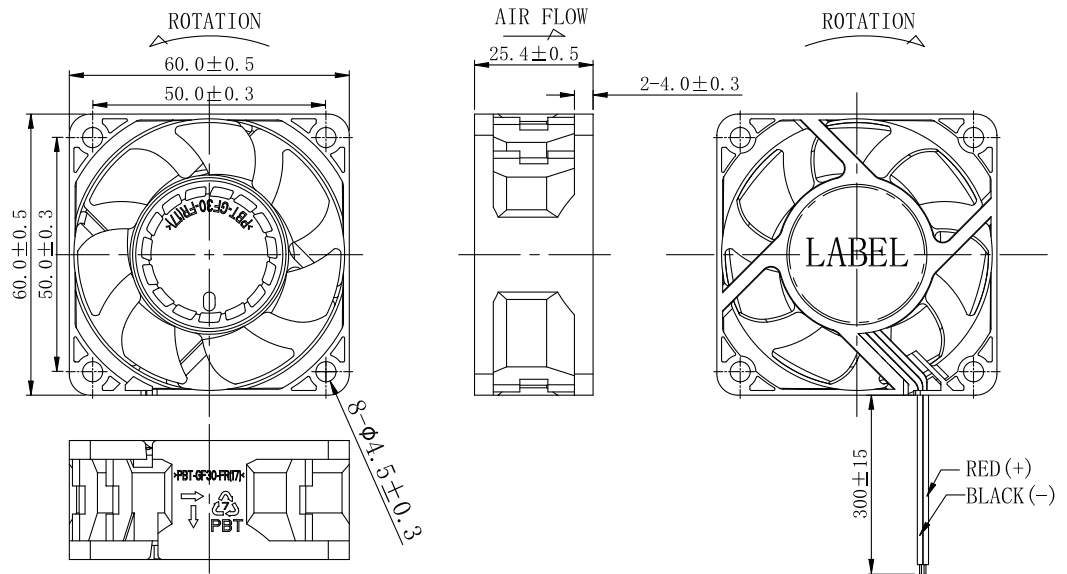
units: mm

wire: UL 1007, 24 AWG

CFM-6025CF

| WIRE CONNECTIONS | |
|----------------------|-------------|
| Wire Color | Function |
| Red | +Vin |
| Black | -Vin |
| Yellow ¹¹ | Tach Signal |

| MOUNTING SCREW (Pan Head) | | | |
|---------------------------|------|------------------|------------|
| Screw Type | Size | Standard | Torque |
| Machine Screw | M4 | JIS B1111-1974 | 4.5 kgf-cm |
| Self-tapping Screw | M5 | JIS B1122 Type 2 | 5.5 kgf-cm |



Notes: 11. Wires only present on versions with output signals.

APPLICATION NOTES

Auto Restart Protection

When the fan motor is locked by an external force, the device will temporarily turn off electrical power to the motor and restart automatically when the locked rotor condition is released.

Polarity Protection

Able to withstand 10 minutes of reverse polarity connection between the positive and negative wires without causing damage.

Tachometer Signal (Yellow Wire)

The tachometer signal is for detecting the rotational speed of the fan motor. The output will be a square wave when fan is operating and V_{FG} or V_{CE} depending on the locked rotor position when fan motor is locked (See Figures 1~2 below).

Figure 1: Tachometer Output Circuit

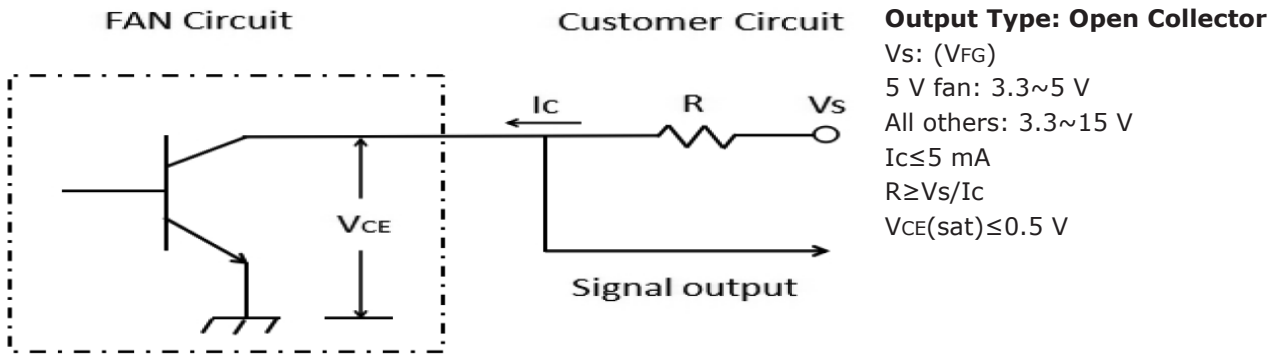


Figure 2: Tachometer Output Waveform

